

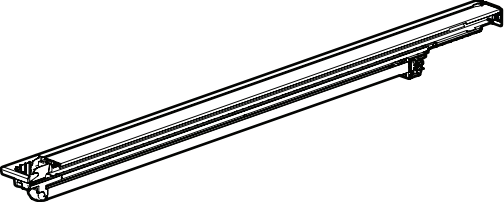
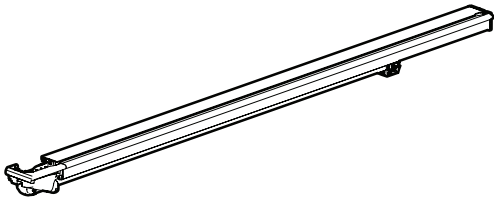
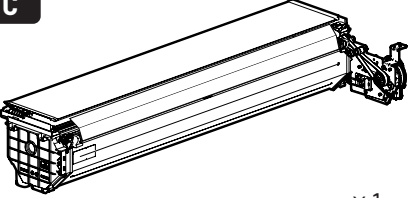

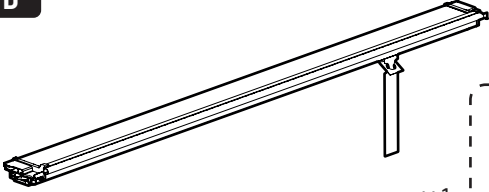

MOUNTAIN TOP[®] EVOe

Installation manual

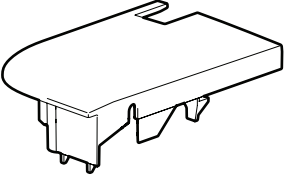
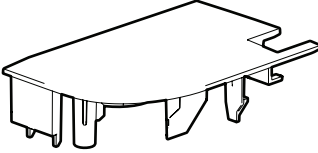


DOWNLOAD PDF

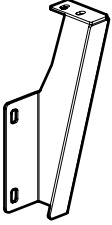
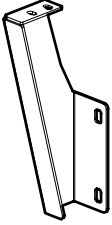


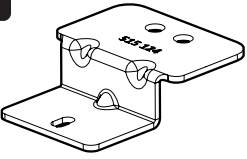
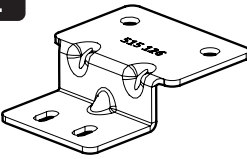
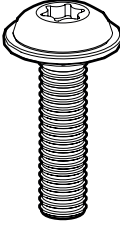
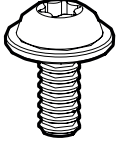
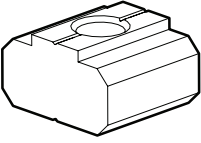
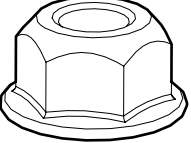
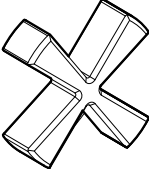
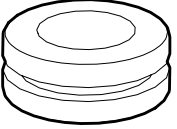
Parts

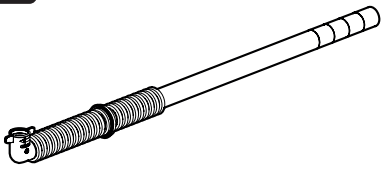
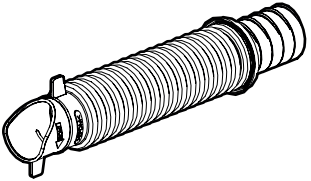
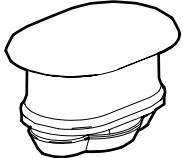

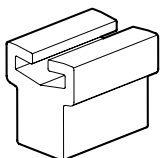
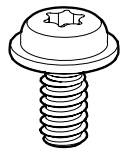
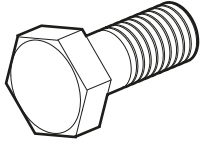
<p>A</p>  <p>x1</p>	<p>B</p>  <p>x1</p>
<p>C</p>  <p>x1</p> <div style="border: 1px dashed black; padding: 5px; display: inline-block;"> <p>X2</p>  <p>x2</p> </div>	<p>D</p>  <p>x1</p> <div style="border: 1px dashed black; padding: 5px; display: inline-block;"> <p>Y2</p>  <p>x1</p> </div>

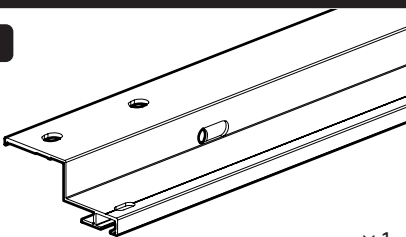
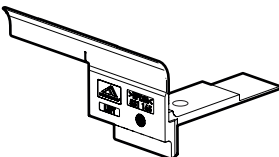
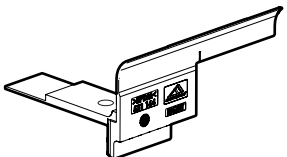
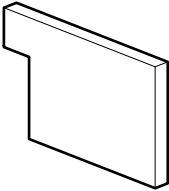
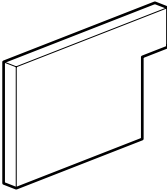
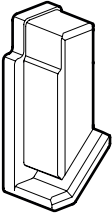
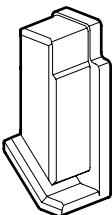
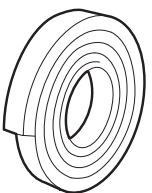
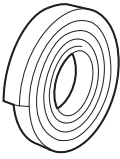
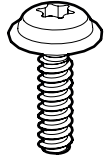
Kit

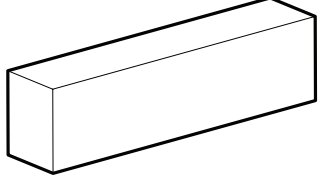
<p>E</p>  <p>LEFT x1</p>	<p>F</p>  <p>RIGHT x1</p>
--	--

Kit

<p>G</p>  <p>x1</p>	<p>H</p>  <p>x1</p>	<p>I</p>  <p>x1</p>	<p>J</p>  <p>x1</p>
<p>K</p>  <p>Rap Cab: x 0 Double Cab: x 2</p>	<p>L</p>  <p>Rap Cab: x 4 Double Cab: x 2</p>	<p>M</p>  <p>M8x30 x 18</p>	<p>N</p>  <p>Rap Cab: x 16 Double Cab: x 14</p> <p>M6x12</p>
<p>O</p>  <p>x6</p>	<p>P</p>  <p>x6</p>	<p>Q</p>  <p>x2</p>	<p>R</p>  <p>x1</p>

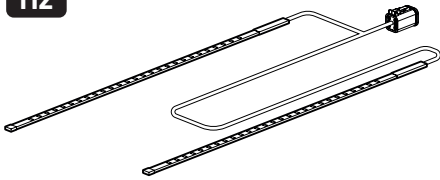
Kit			
S  x2	T  x2	U  x2	
V  M6x30 x2	W  Rap Cab: x 7 Double Cab: x 5	X  M6x16 Rap Cab: x 6 Double Cab: x 4	Y  M6x14 x1

Kit			
A2  x1	B2  x1	C2  x1	
D2  x1	E2  x1	F2  x1	
G2  x1	H2  6x25mm x2	I2  6x10mm x1	J2  M5x14 x2

Kit
K2  20x25x100mm x2

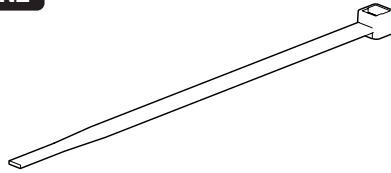
LED Kit

M2



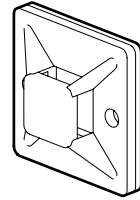
x1

N2



x6

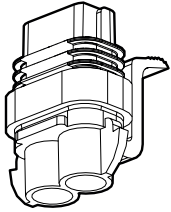
O2



x6

Power supply kit

P2



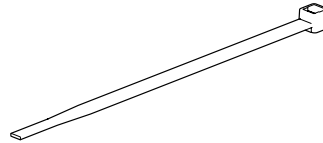
x1

Q2



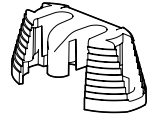
x1

R2



x6

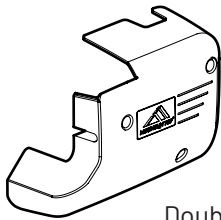
S2



x1

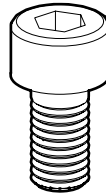
Kit

T2



Double Cab: x1

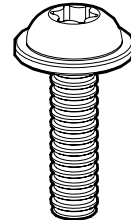
U2



M5x10

Double Cab: x3

V2

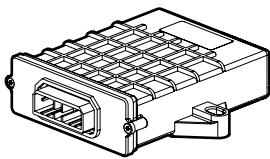


M6x20

x2

Kit

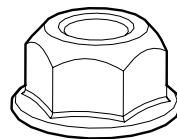
W2



x1

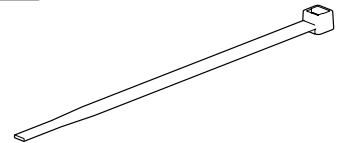
Kit

Z2



M6

Z3

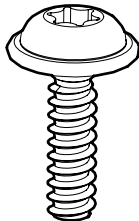


x2

x10

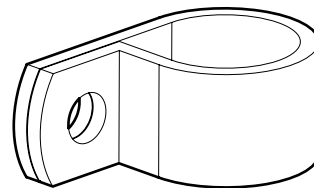
Kit for Rap Cap

A3



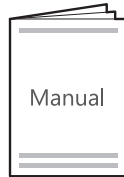
x2

B3



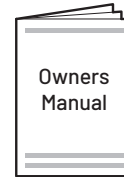
x2

Kit



Manual

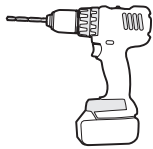
x1



Owners
Manual

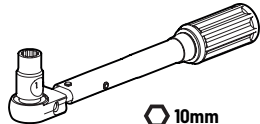
x1

Tools needed



Ø3.5 + Ø10 MM

1 - 25 Nm



10mm

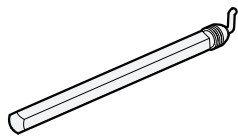
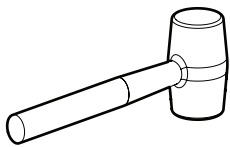
T20, T30, T40



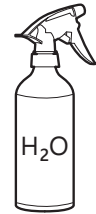
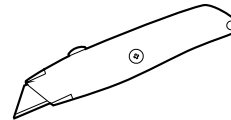
Rust protection
Rostschutzmittel
Anti-rouille
Anti roest



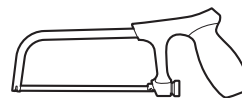
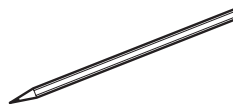
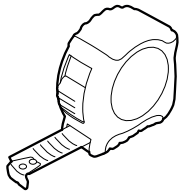
SUPER
GLUE
(CA)



Silicone (RTV)

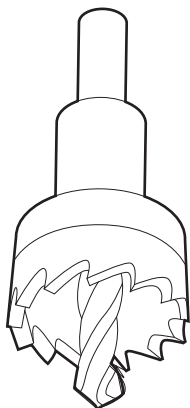


H₂O

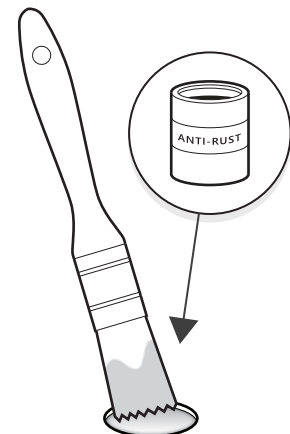
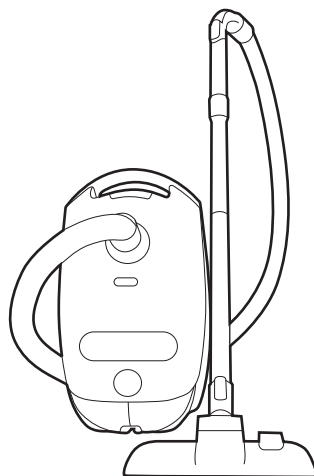


LOCTITE
243

Applying rust protection



Ø18 / Ø30 / Ø40 mm





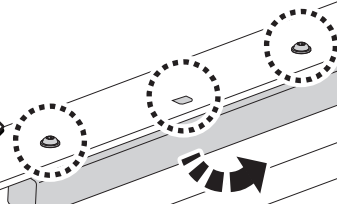
**If sheet metal is scratched during installation,
apply rust protection to damaged areas**

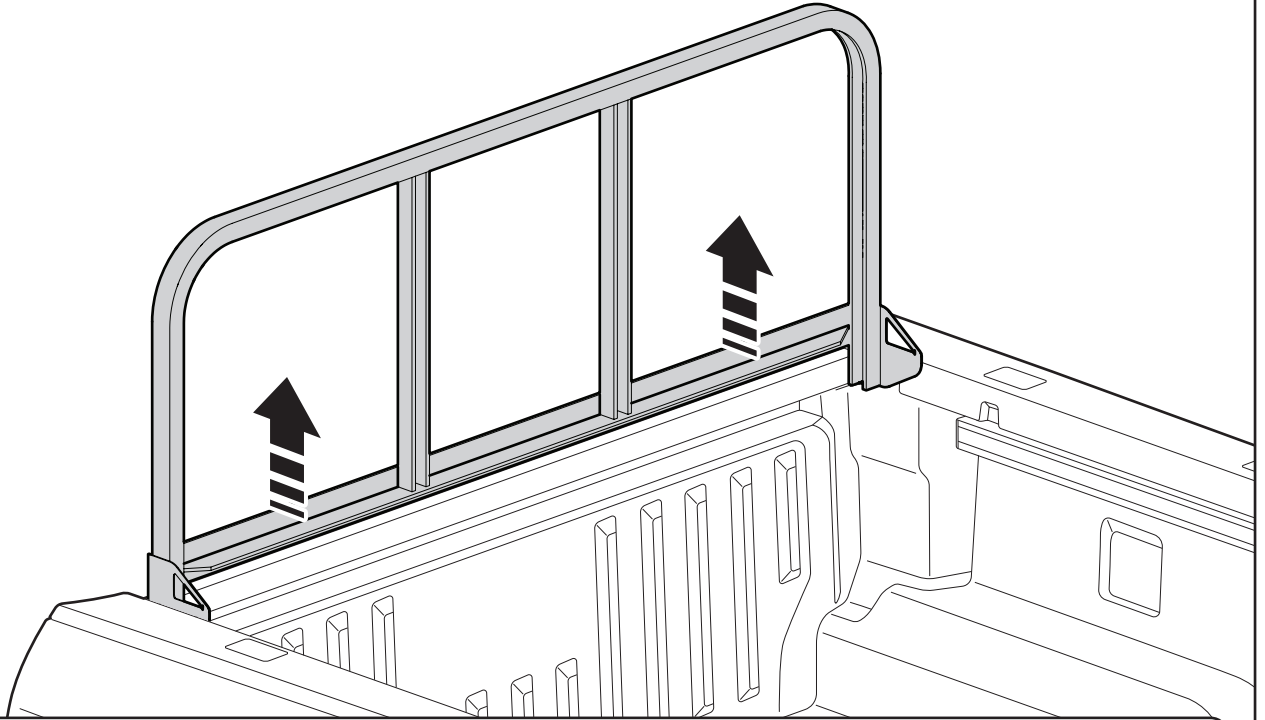


**Tie must not be attached to AC lines
(AC lines are the metal pipes in the engine bay)**

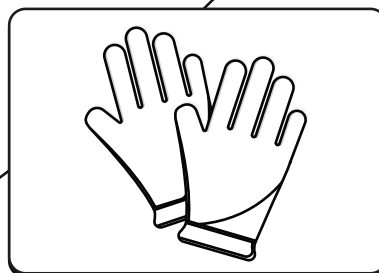


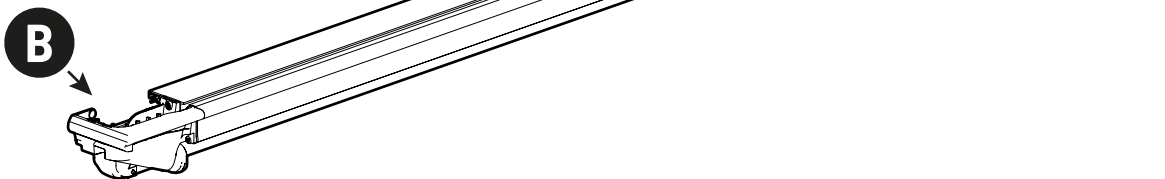
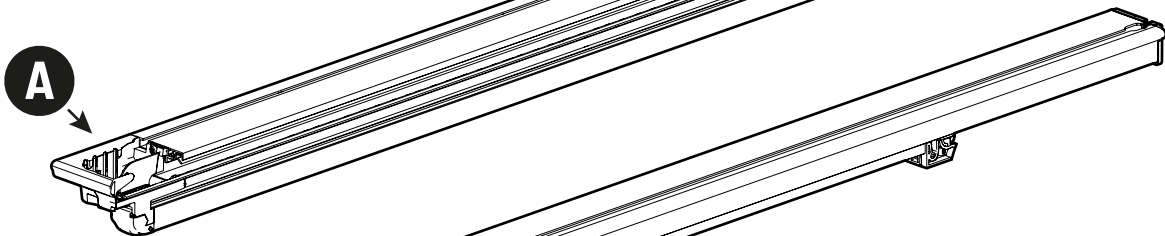
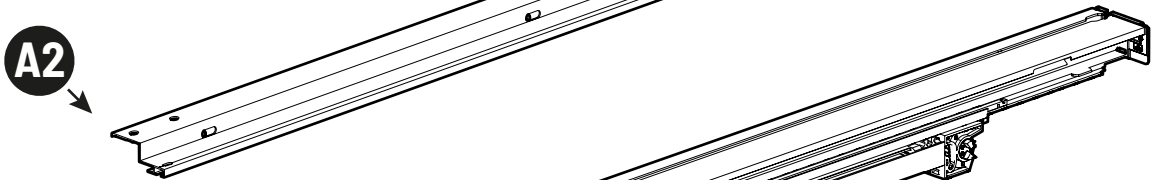
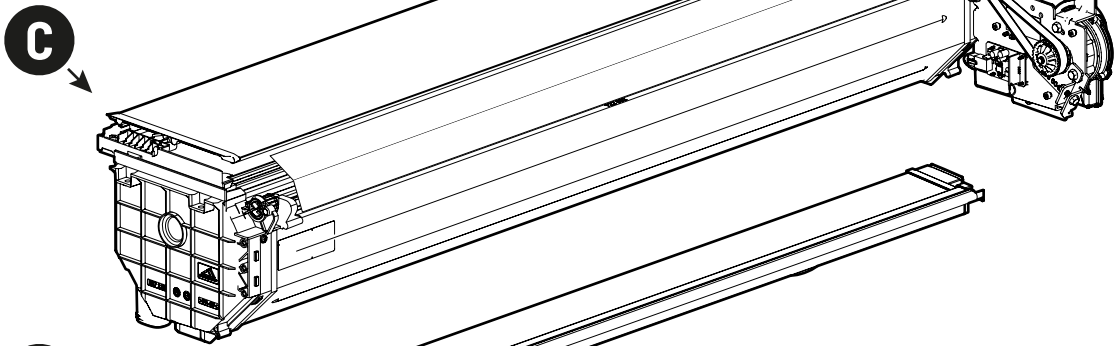
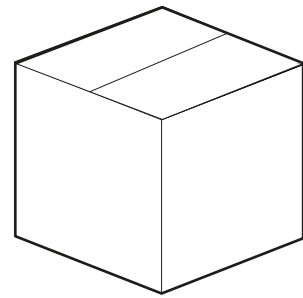
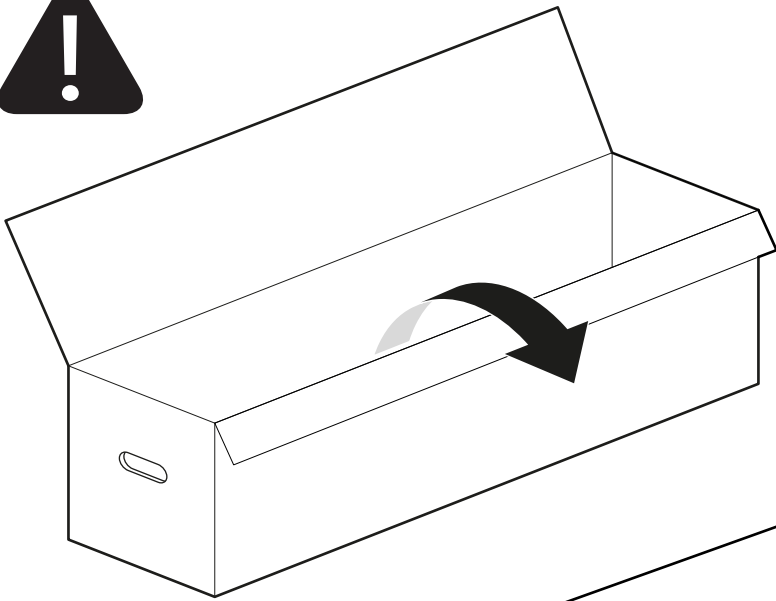
**Remove mass damper on tub
headboard prior to installing
Rollershutter (only applicable to
RAP CAB Variants)**





Rollershutter not compatible with load rest bar - part cannot be re-installed once Rollershutter have been installed (store parts)

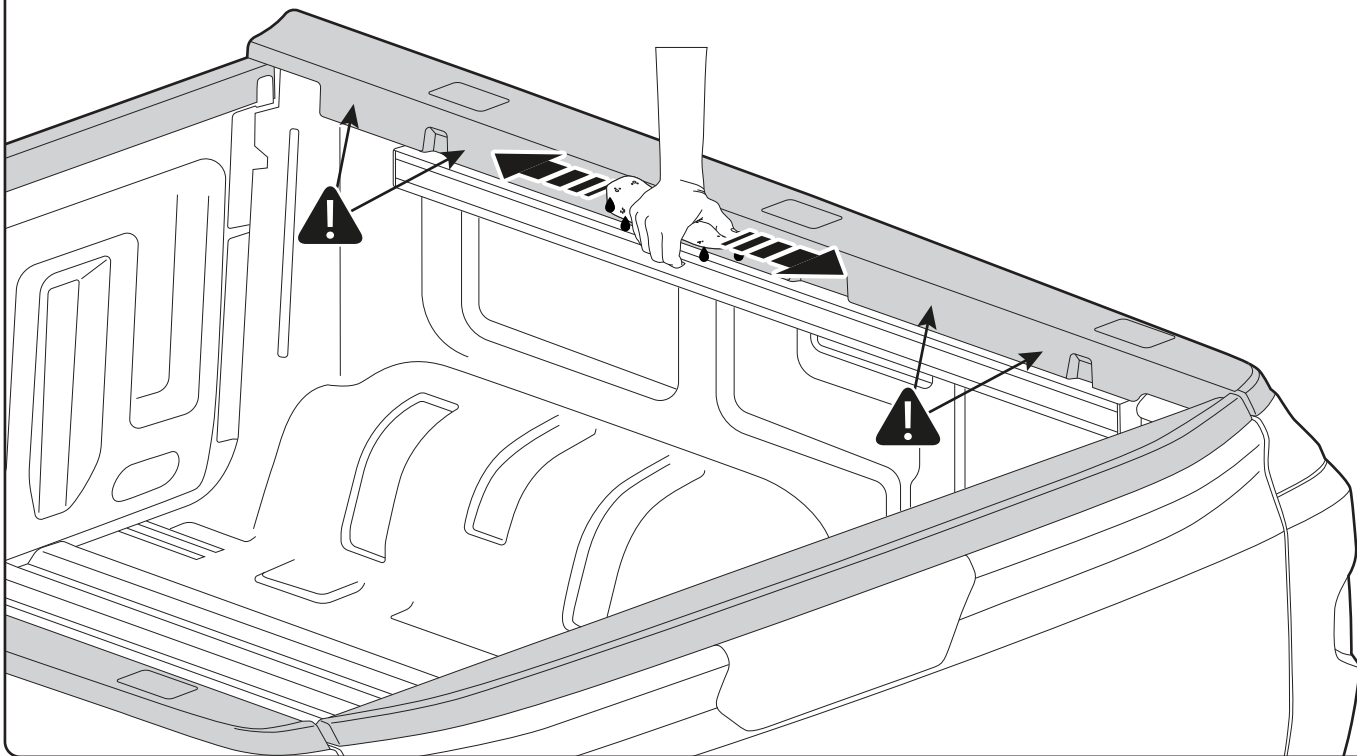




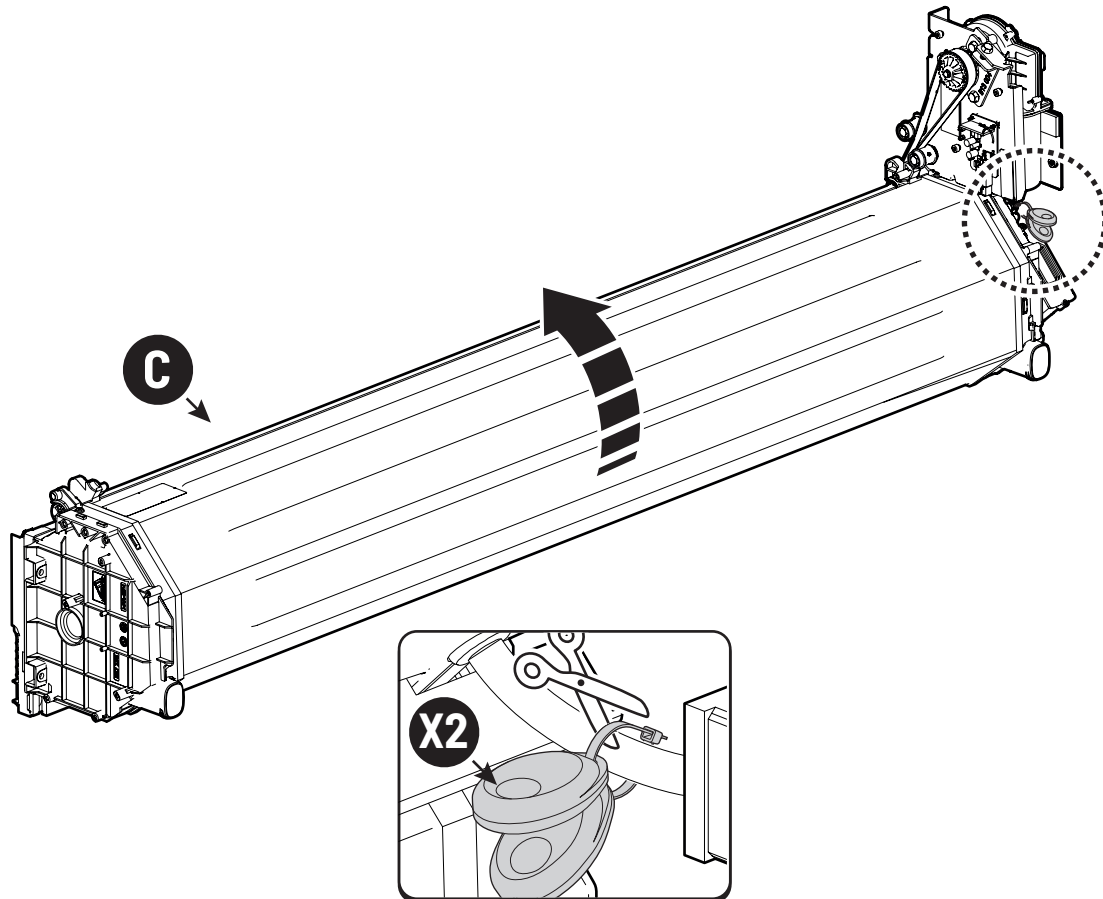
 Water & sponge

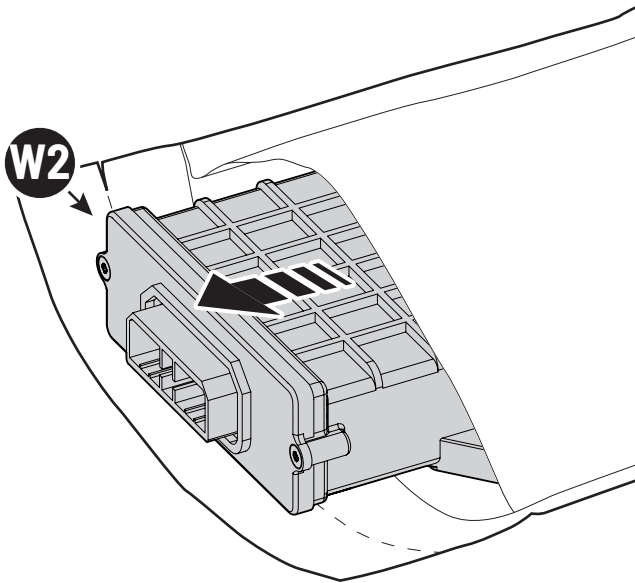


2

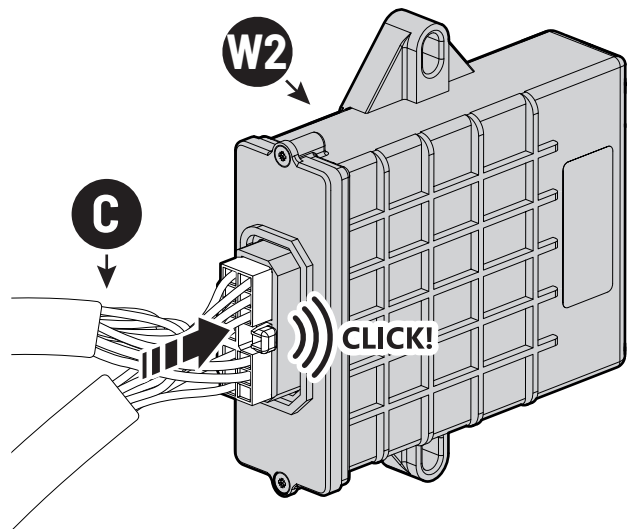


3





1



2

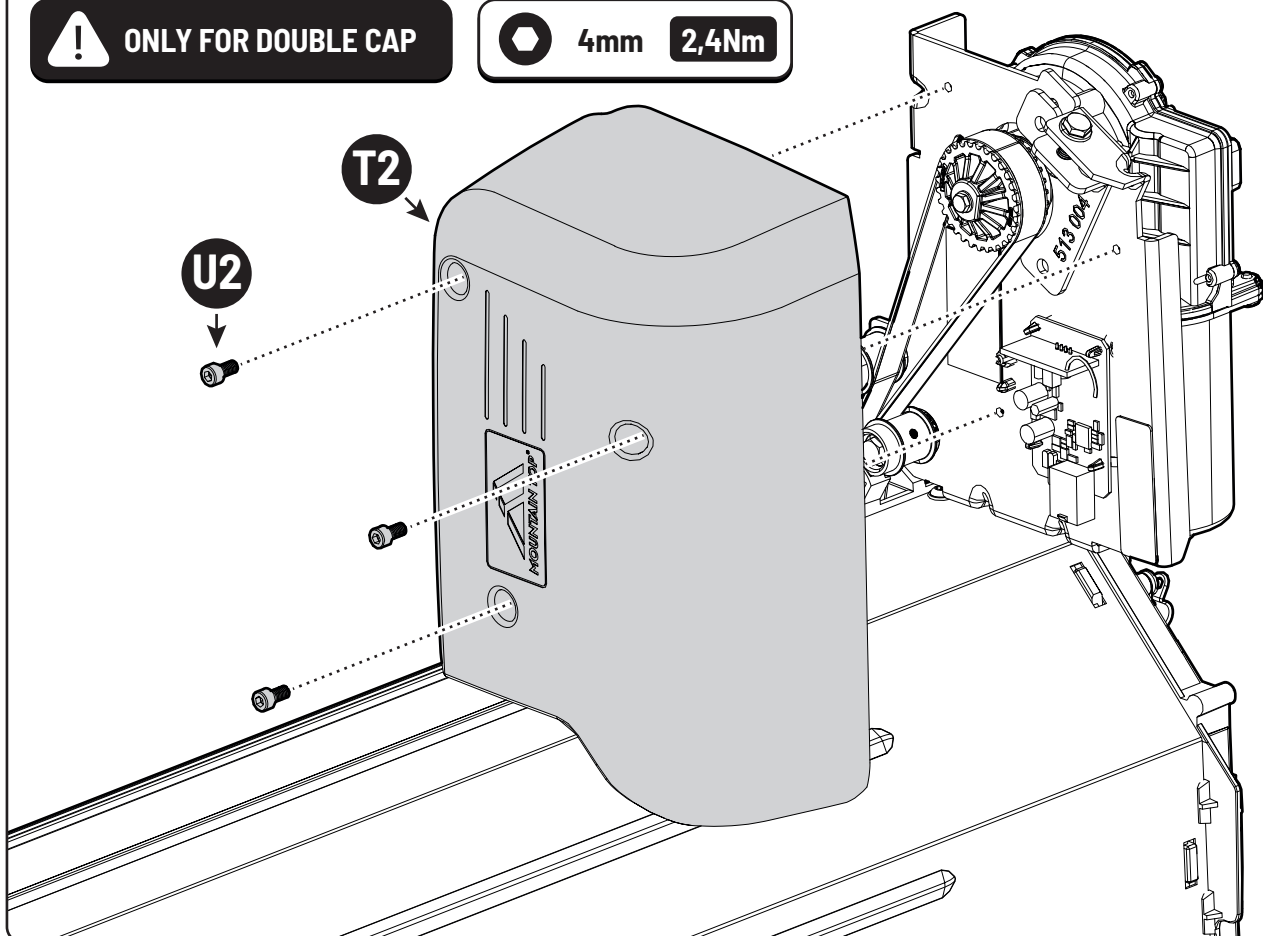


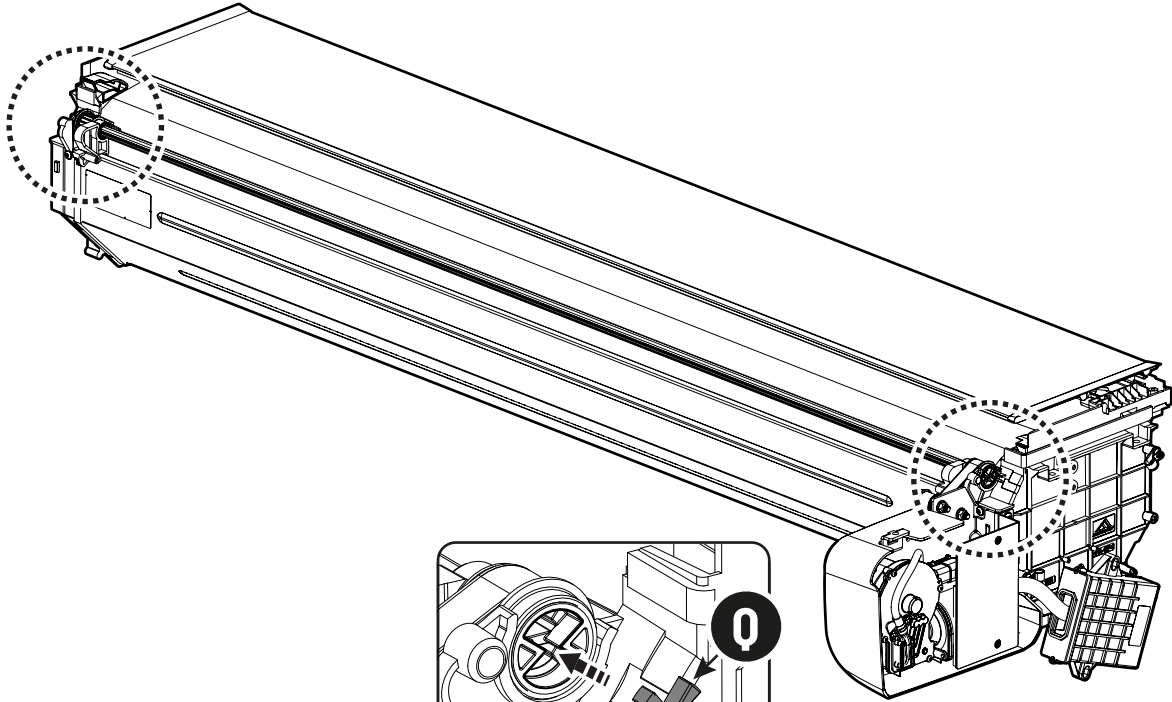
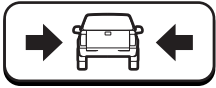
ONLY FOR DOUBLE CAP



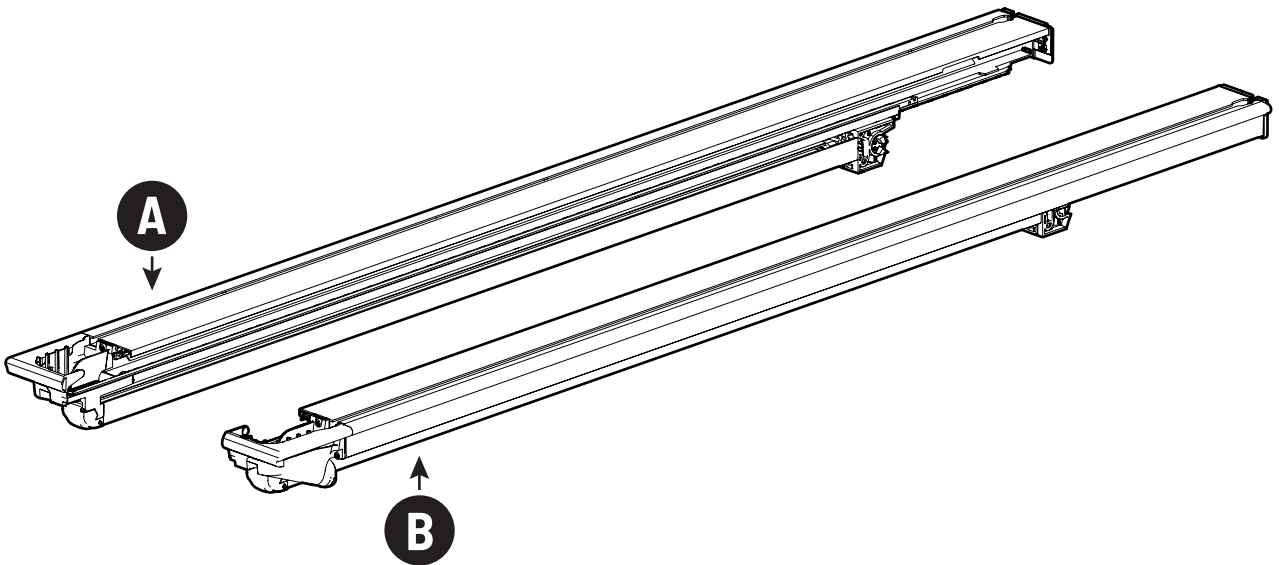
4mm

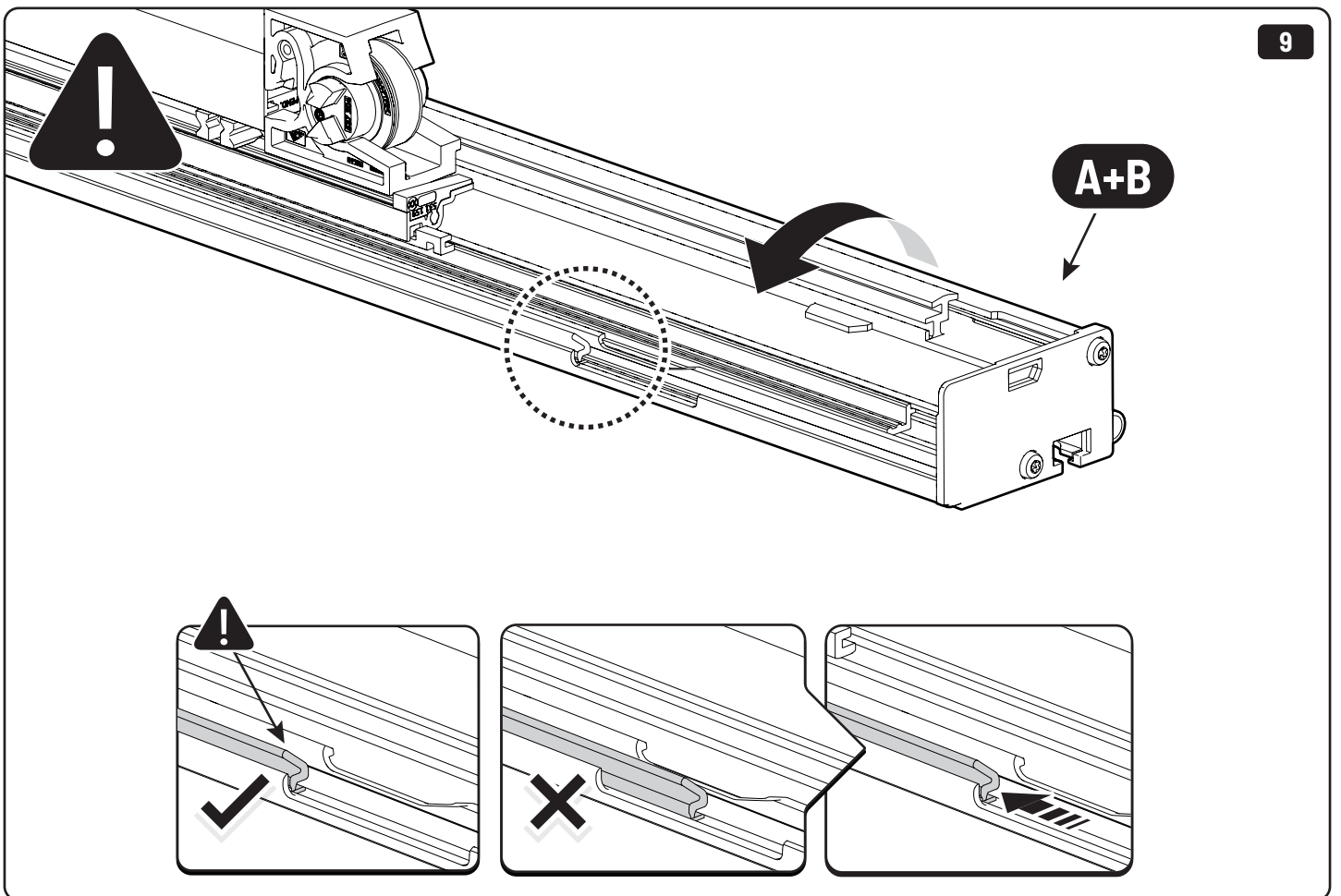
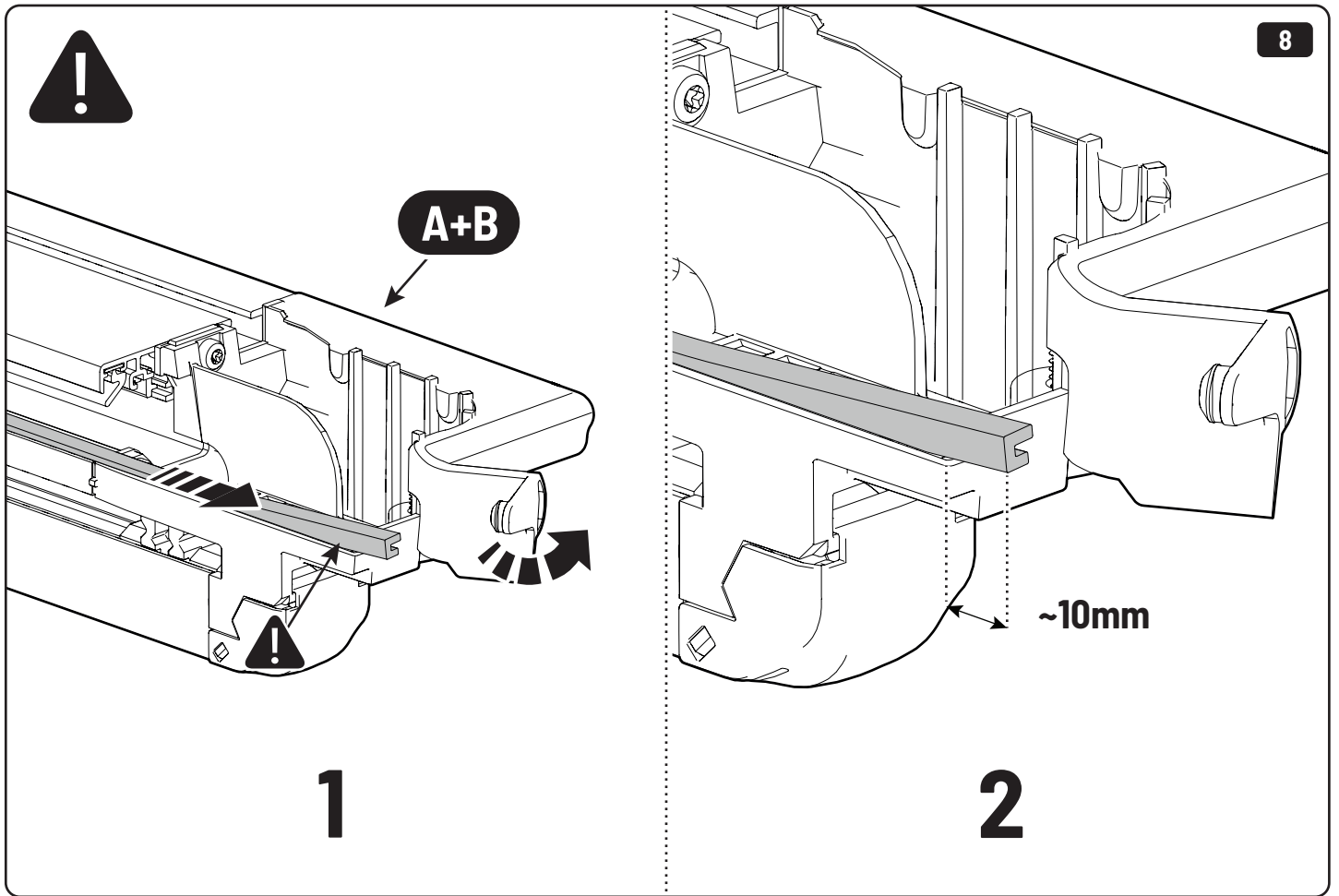
2,4Nm



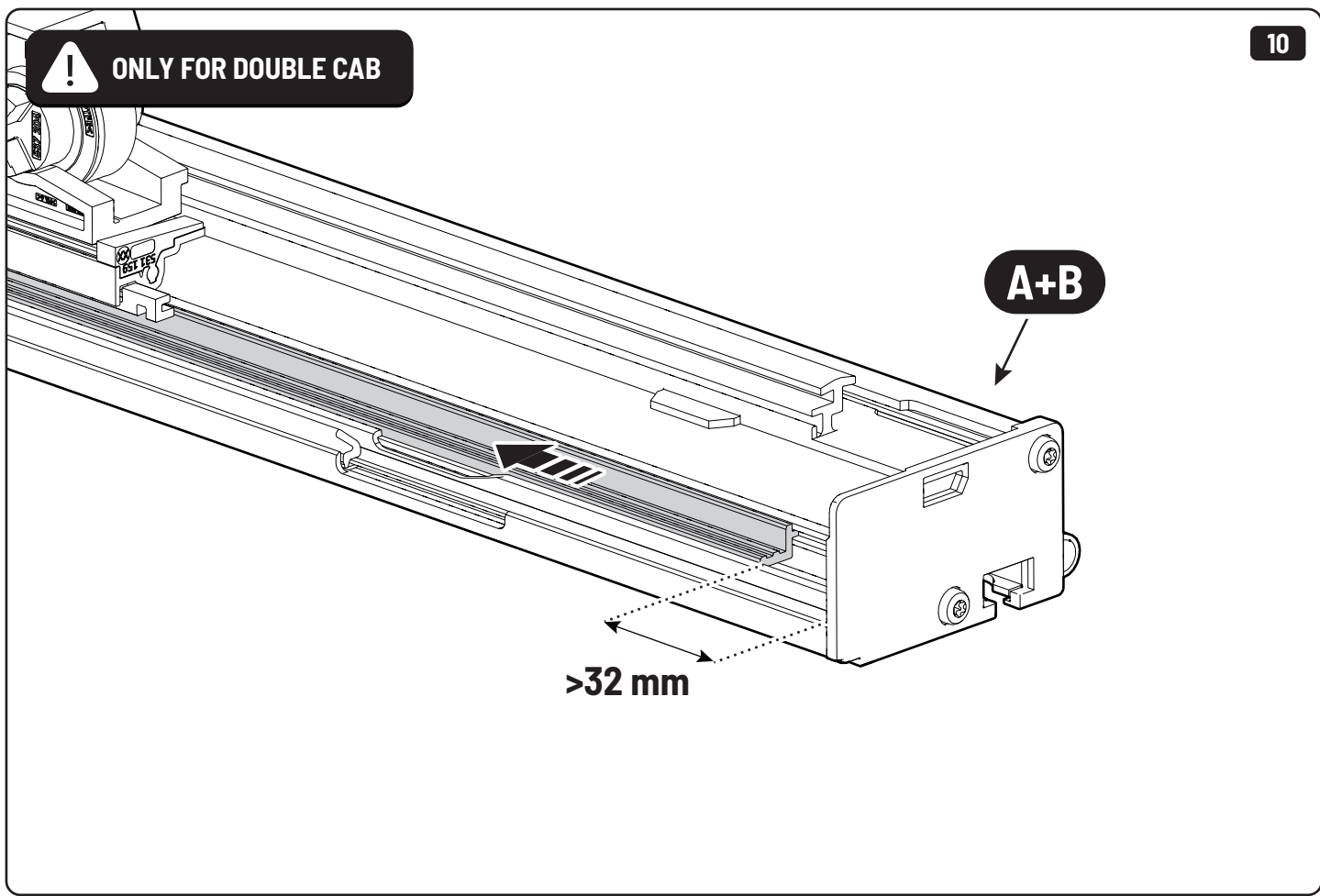


x2

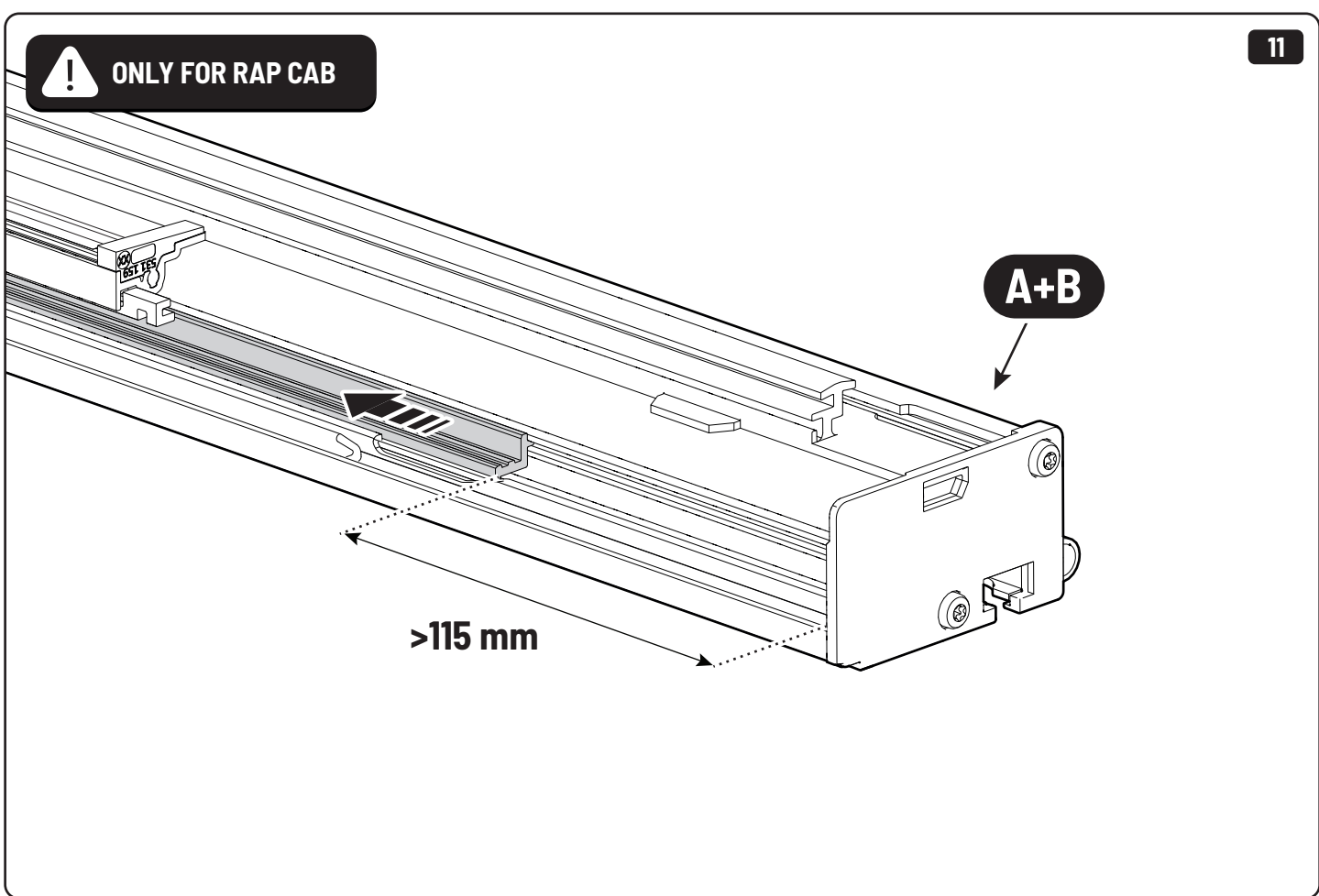




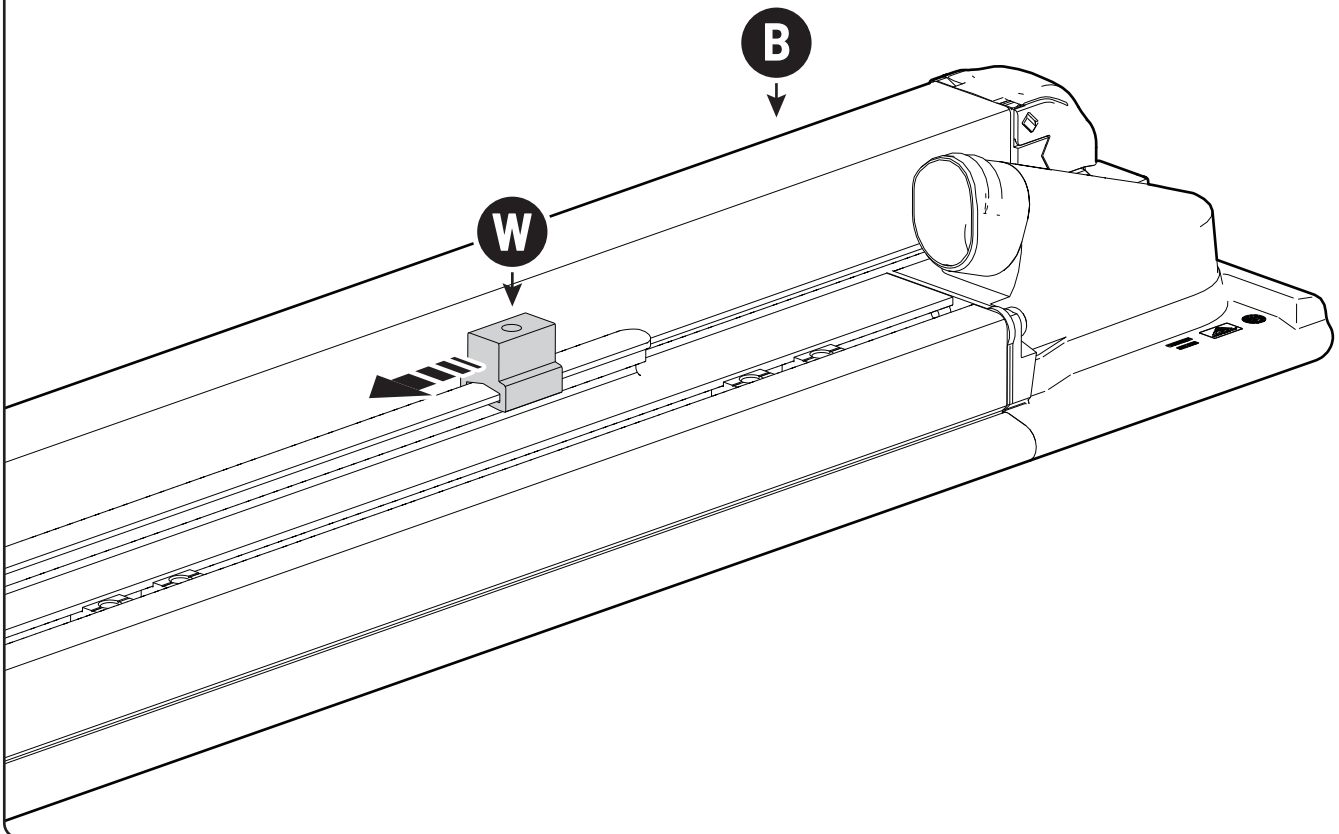
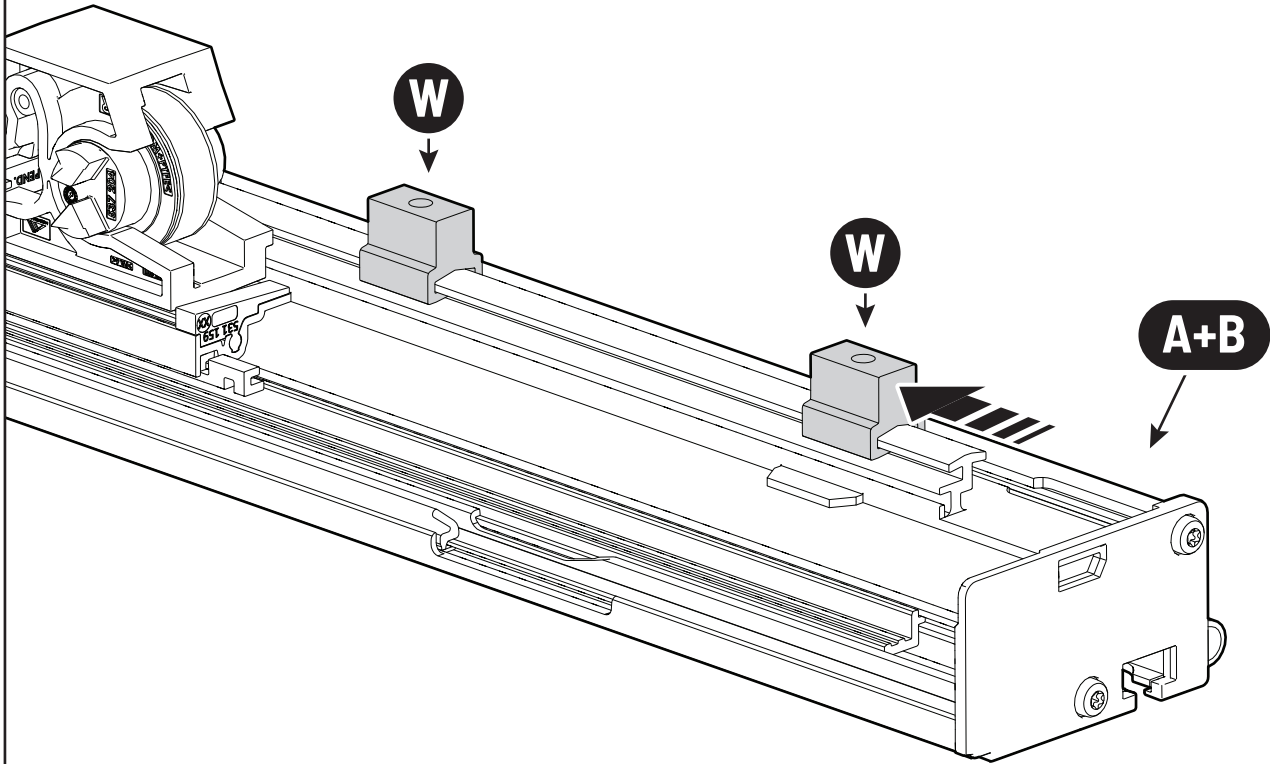
! ONLY FOR DOUBLE CAB

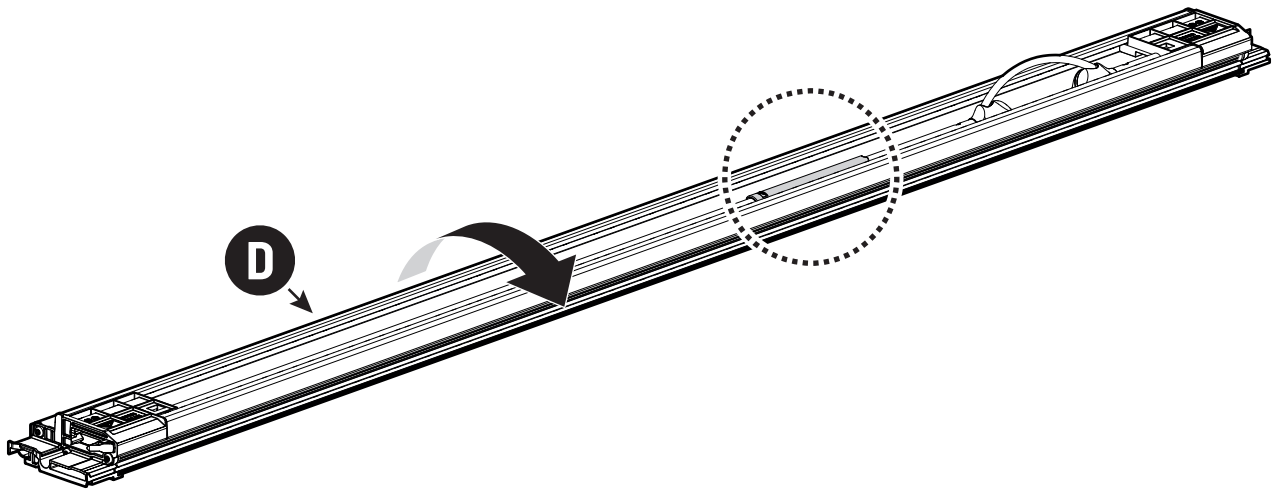


! ONLY FOR RAP CAB

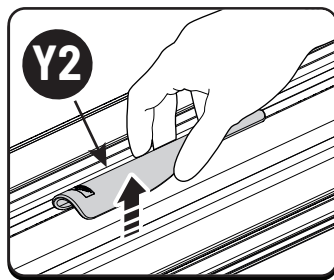


! Rap Cab: **W** x3

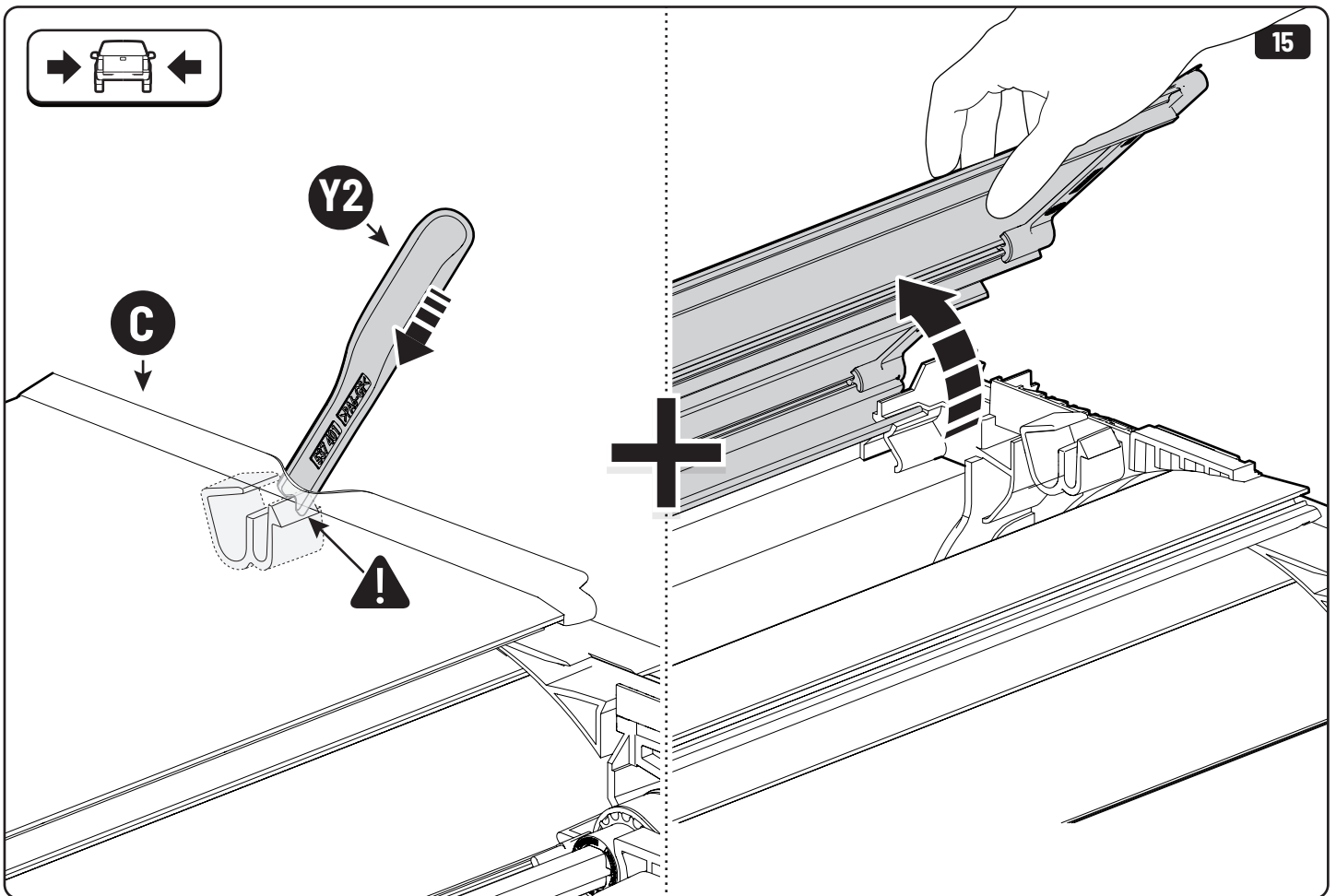




D



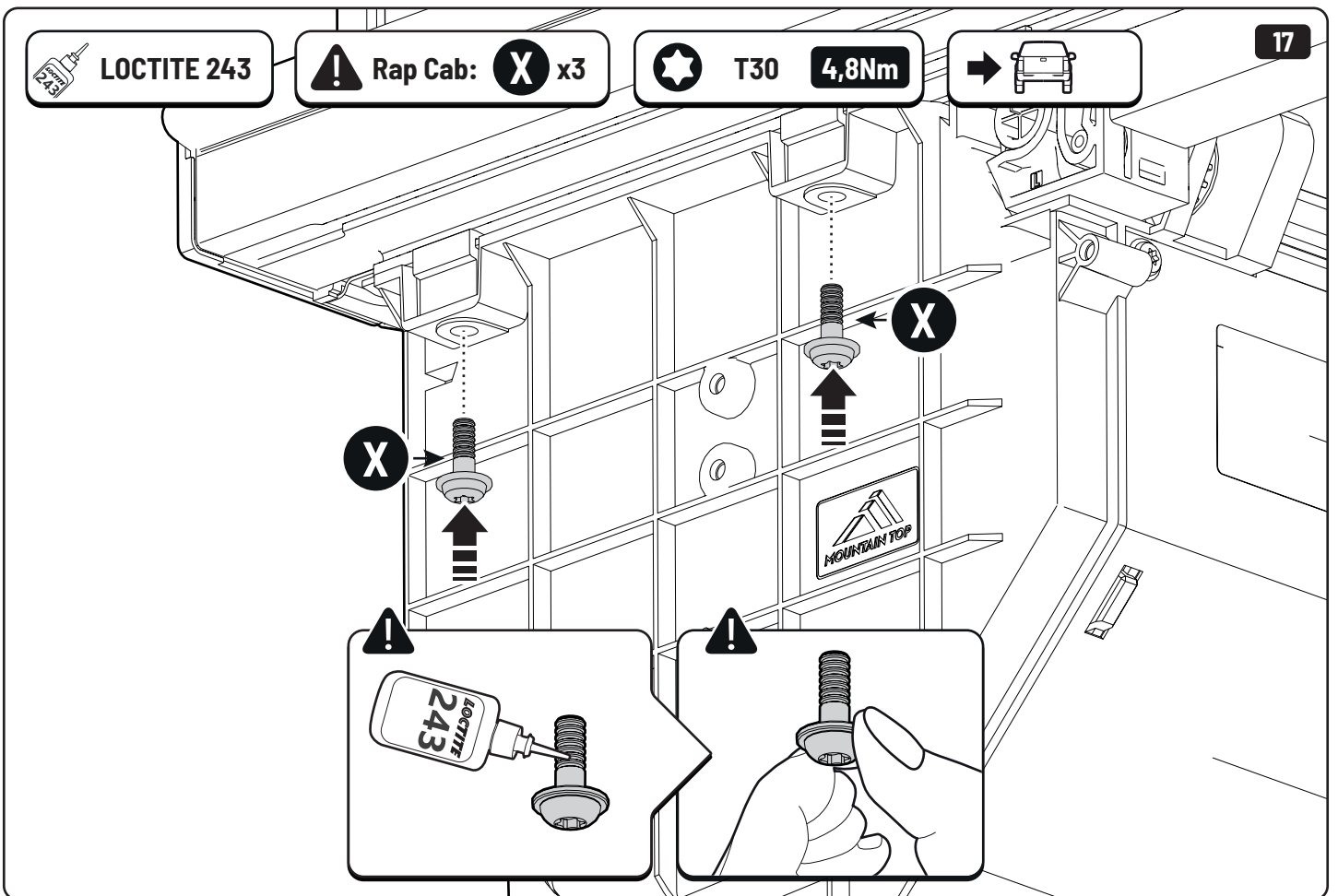
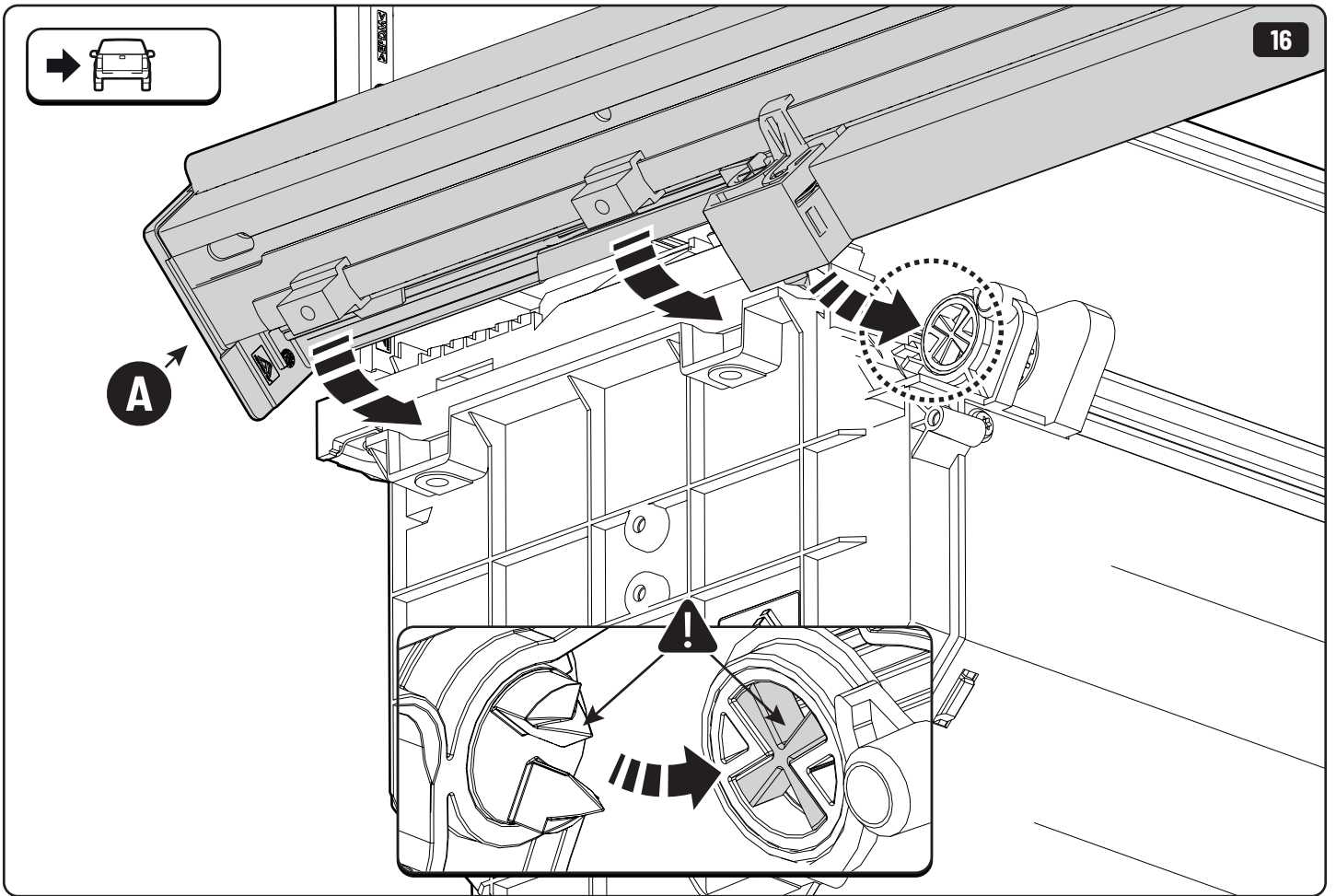
Y2

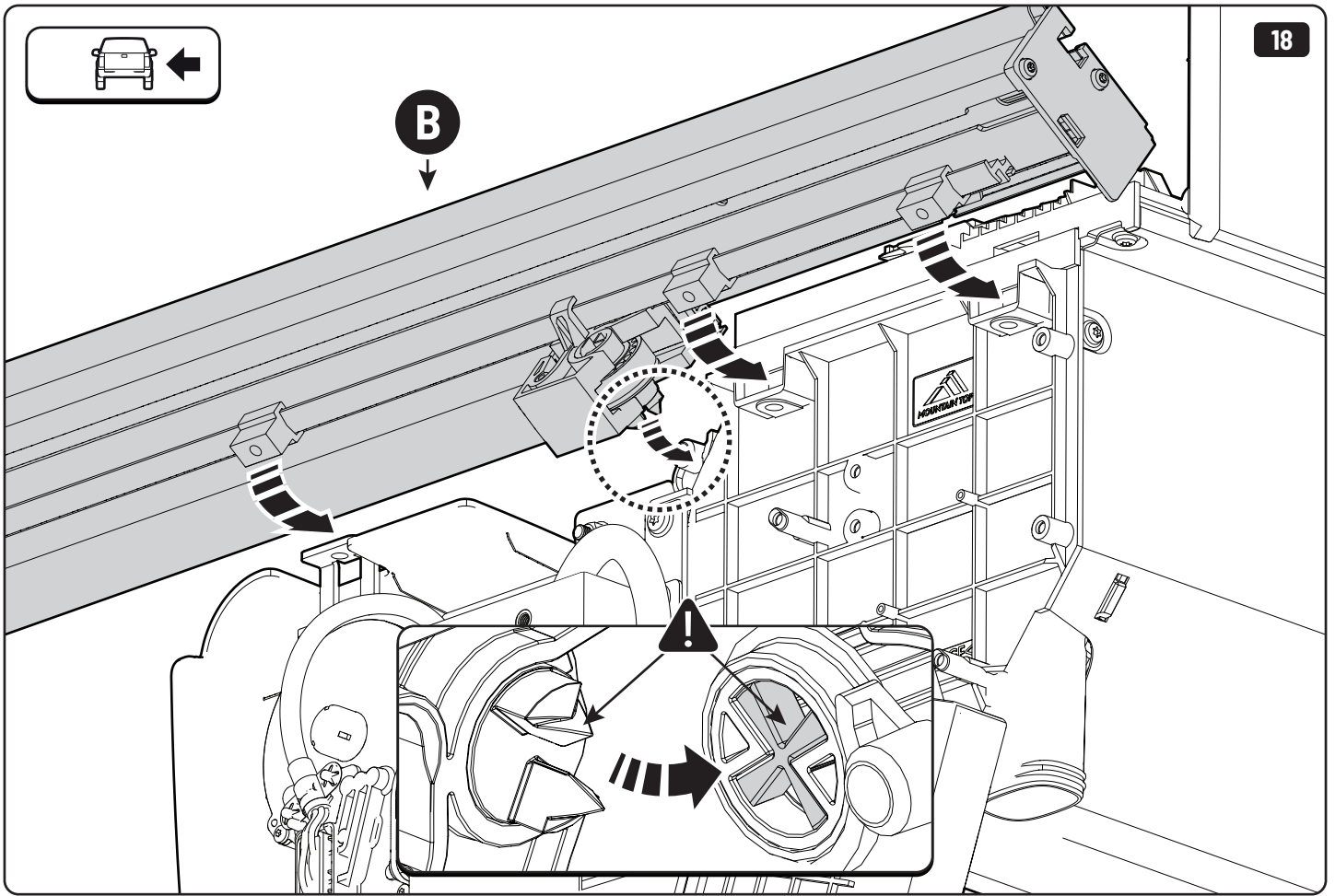


Y2

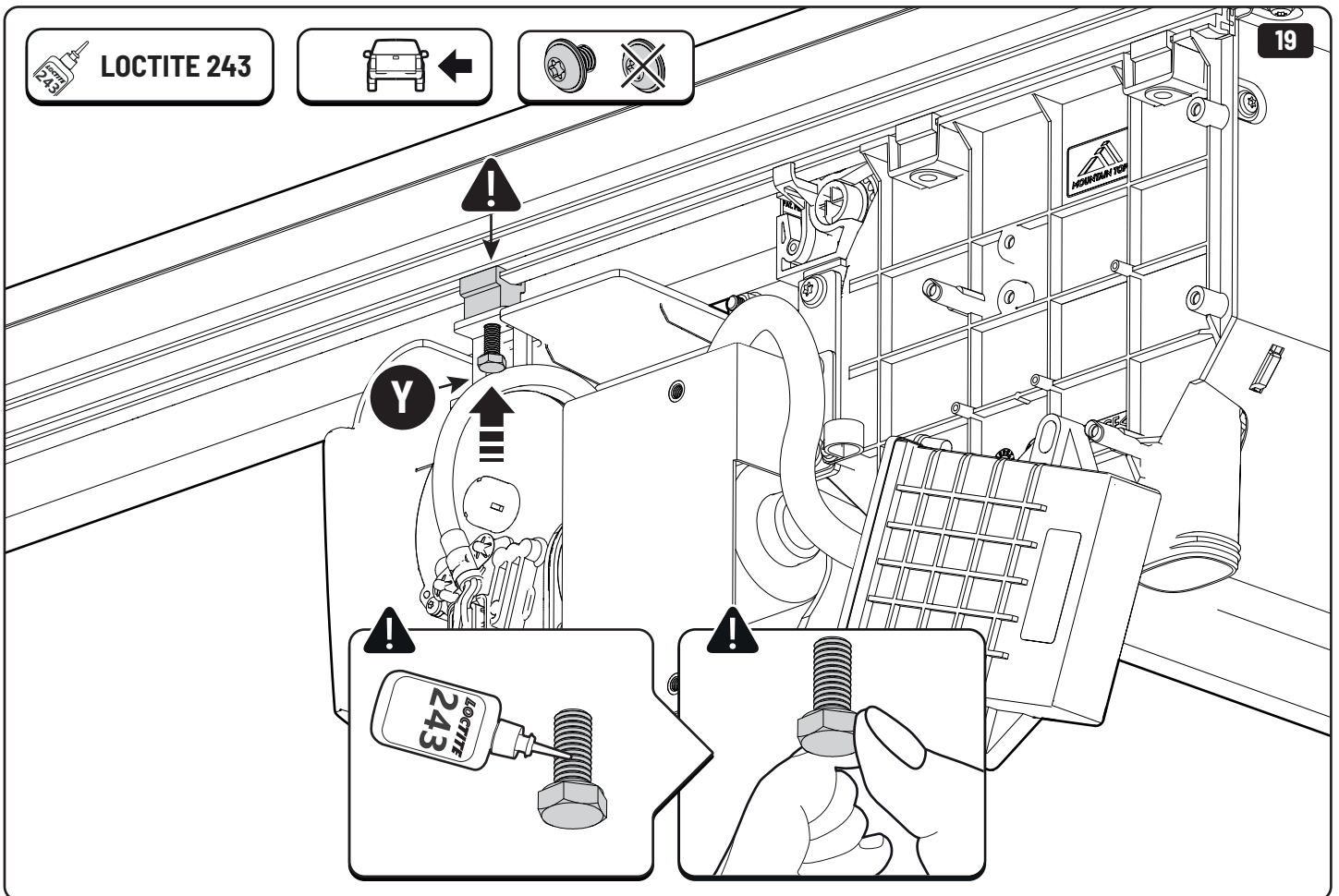
C



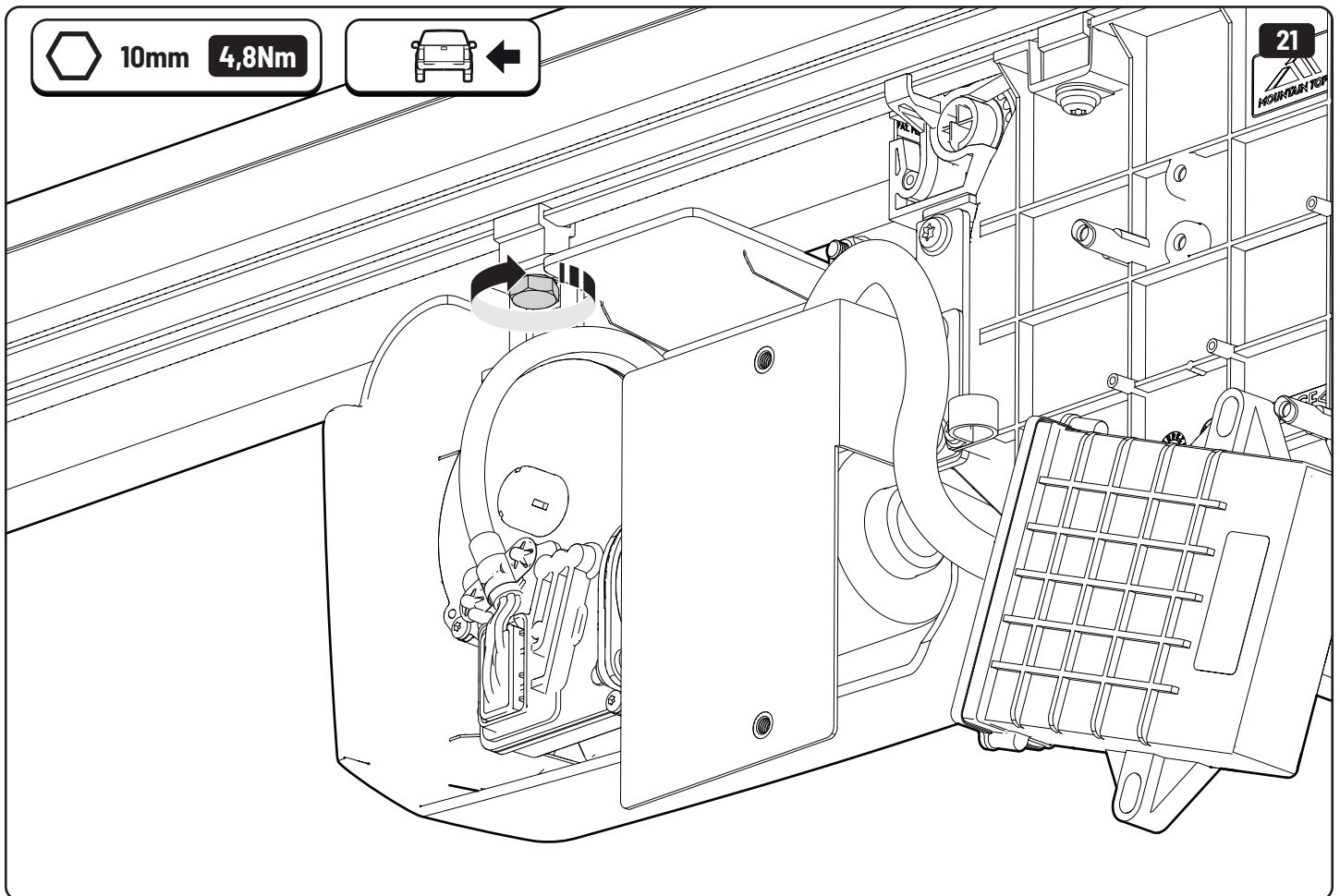
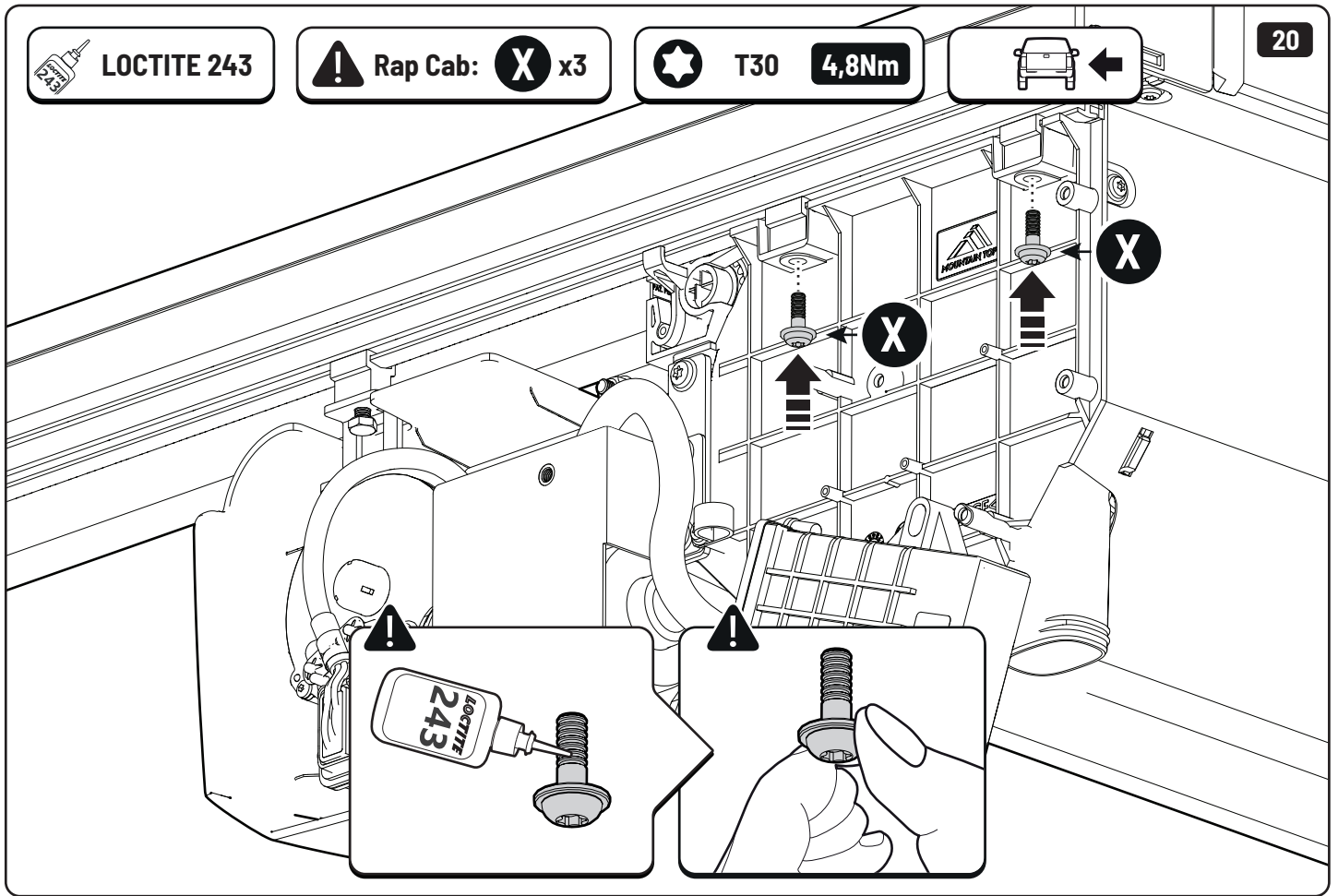


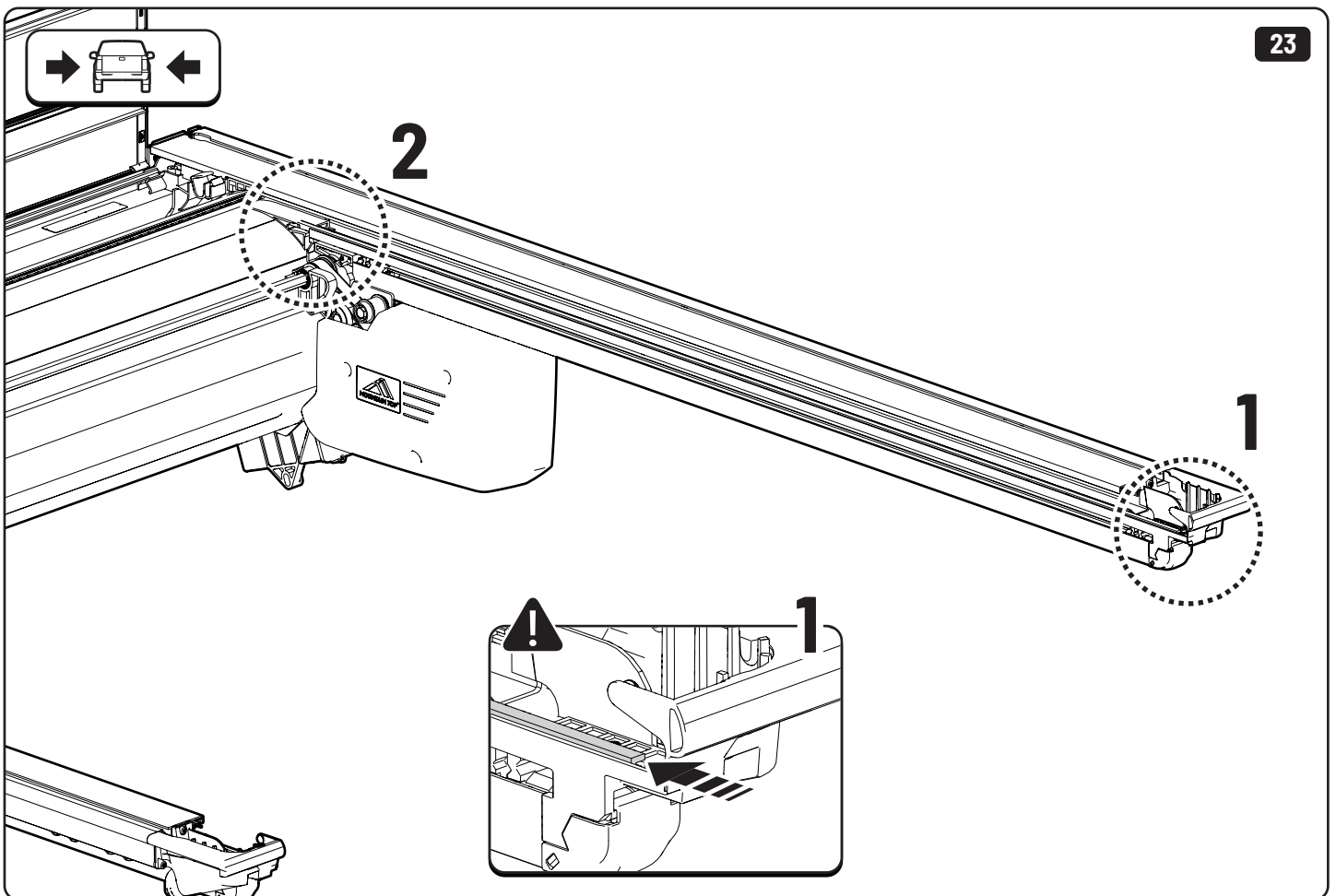
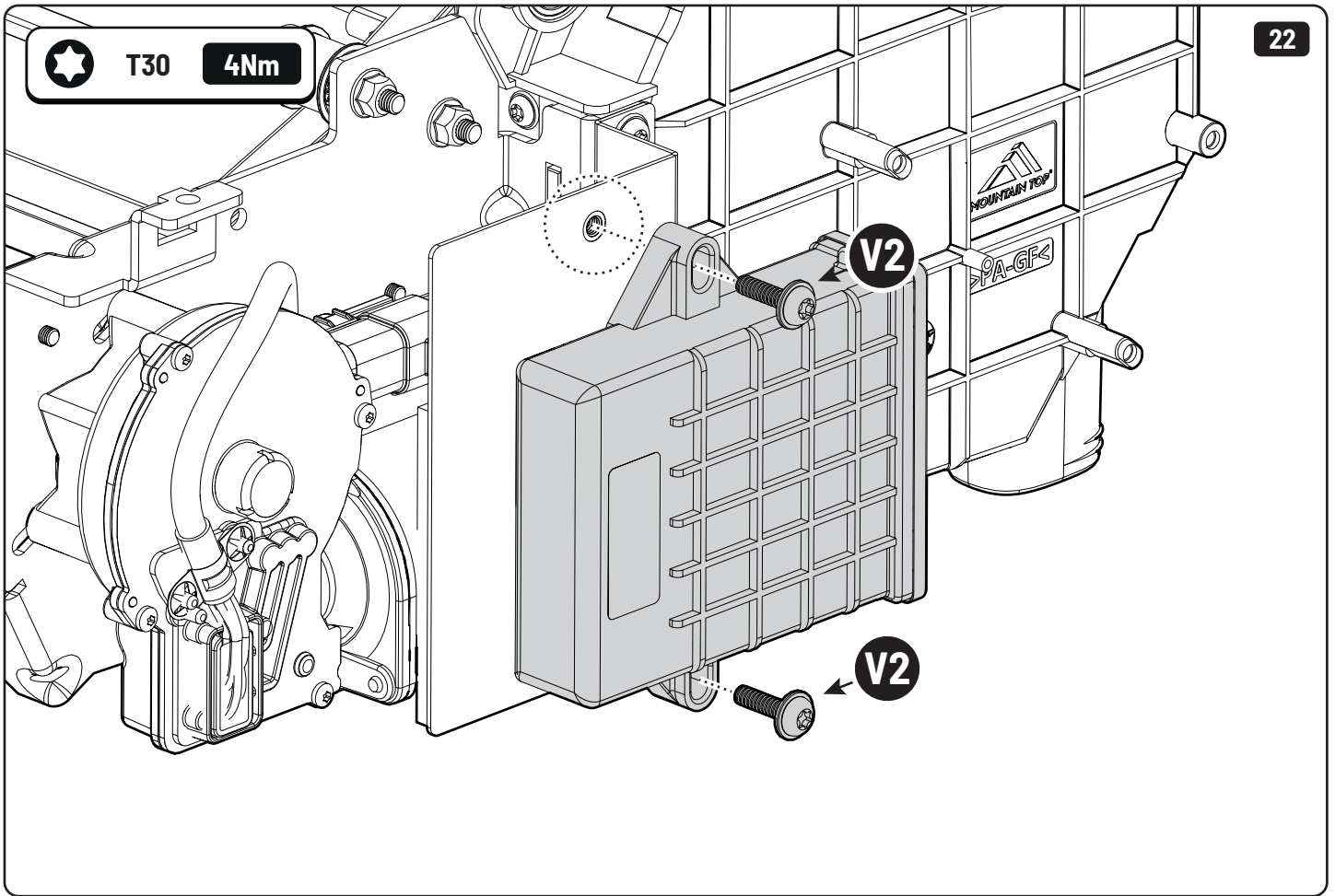


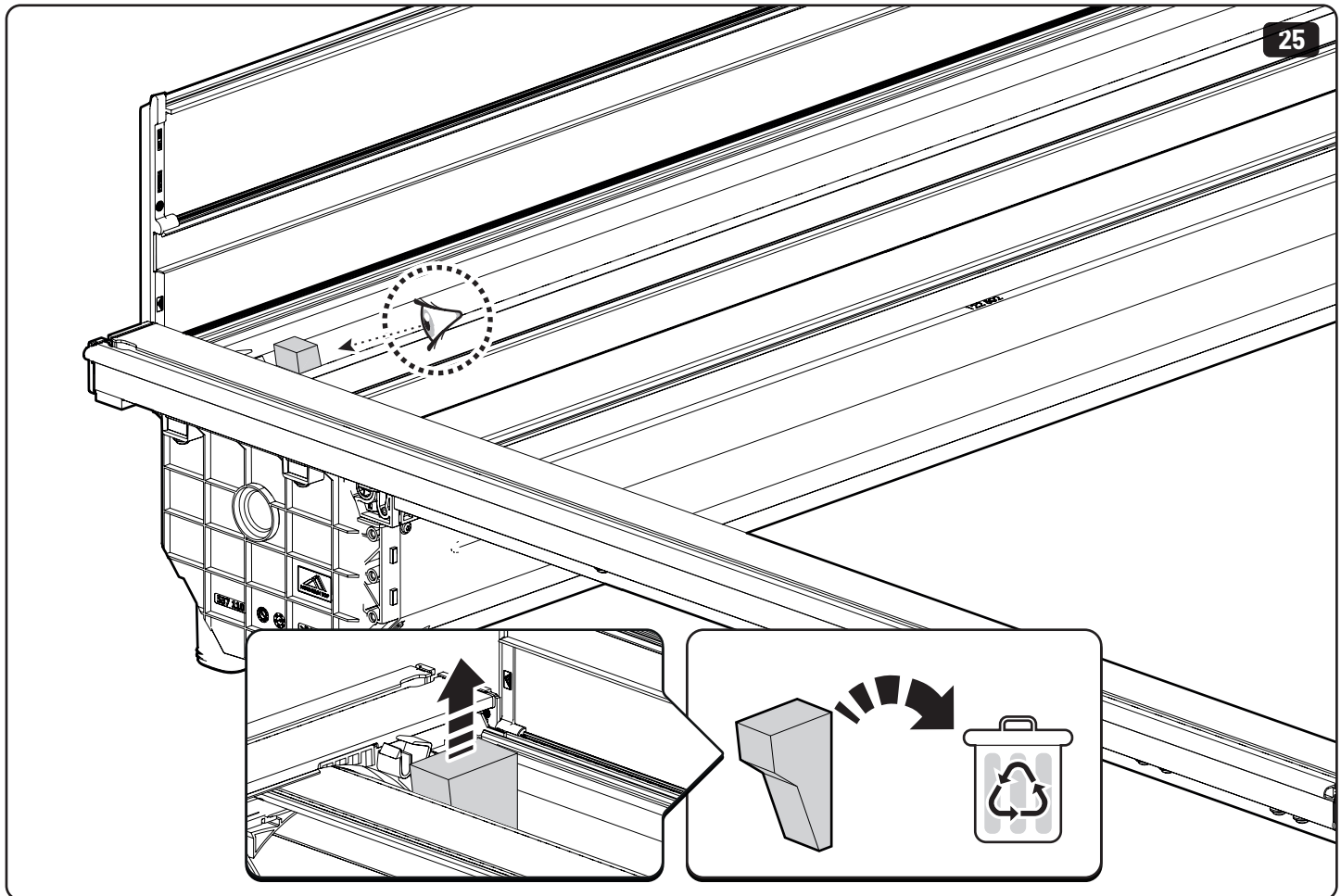
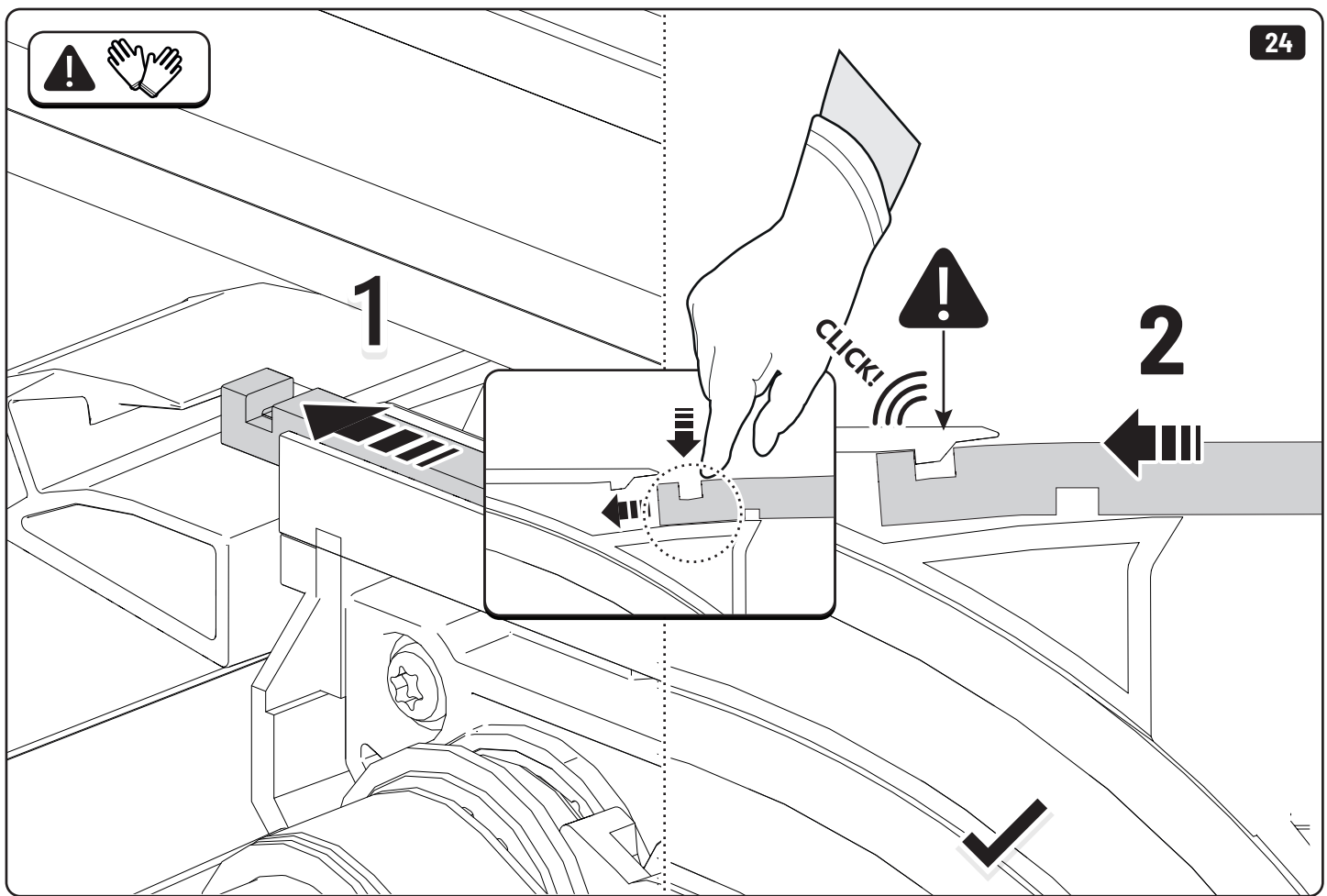
18



19

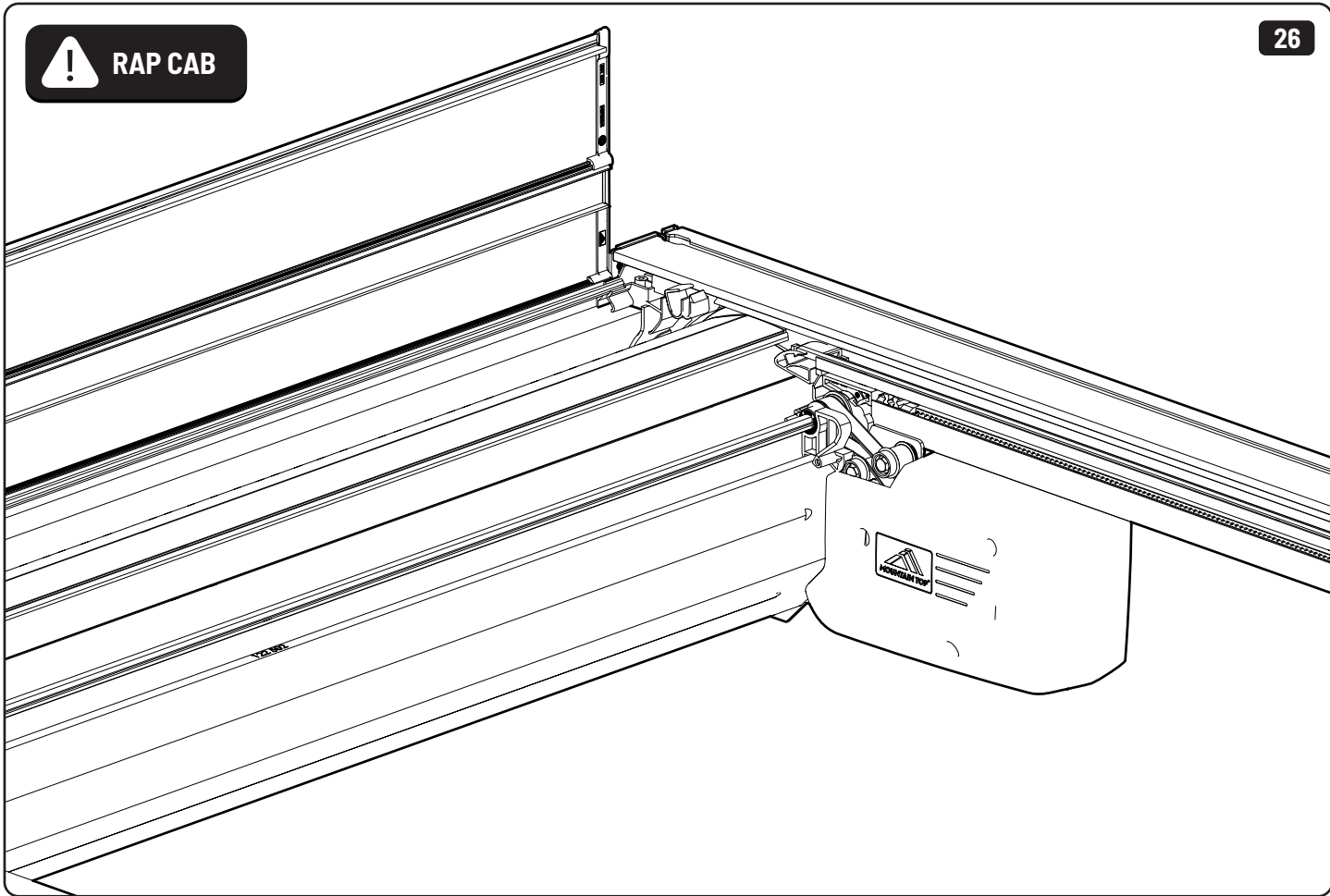




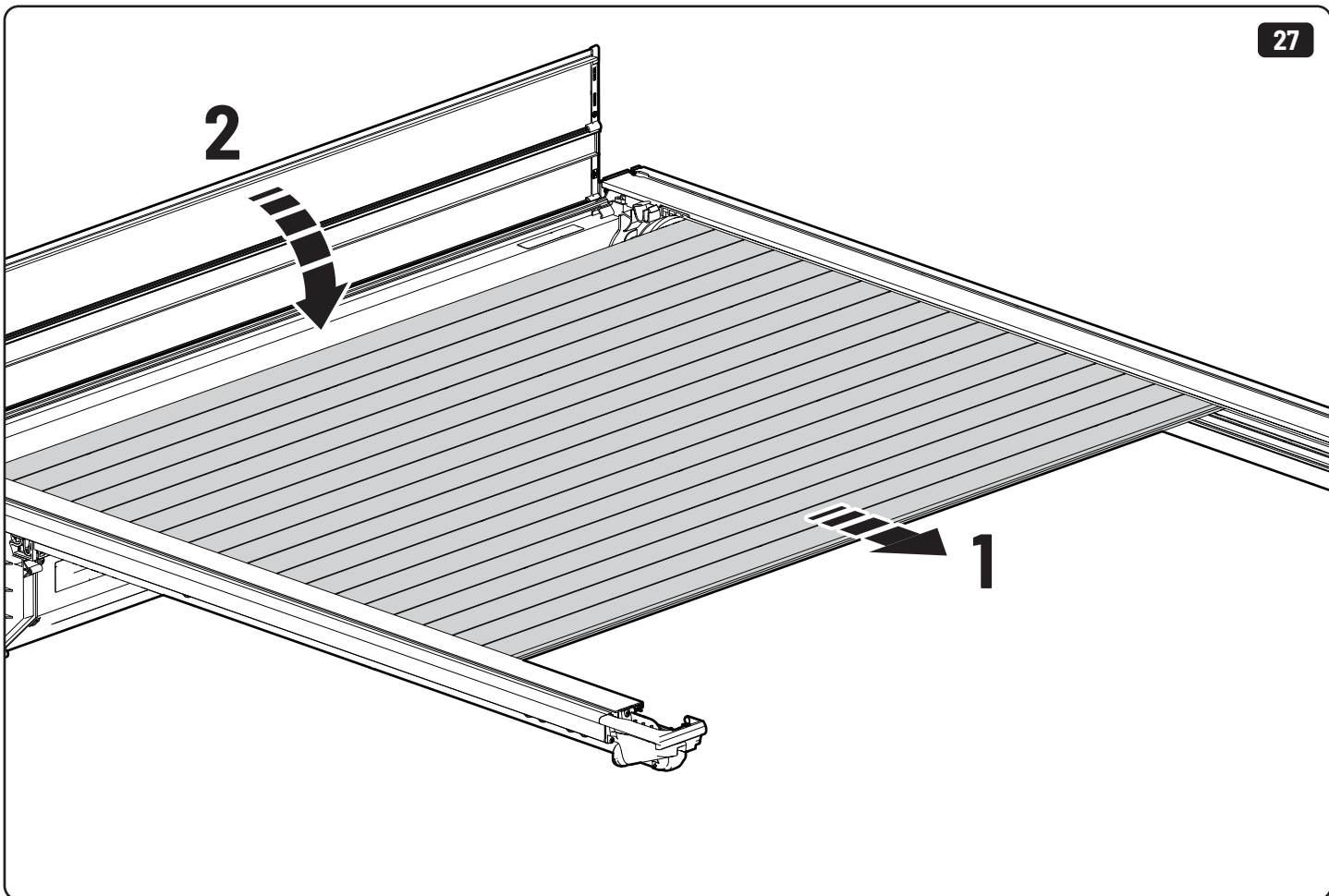


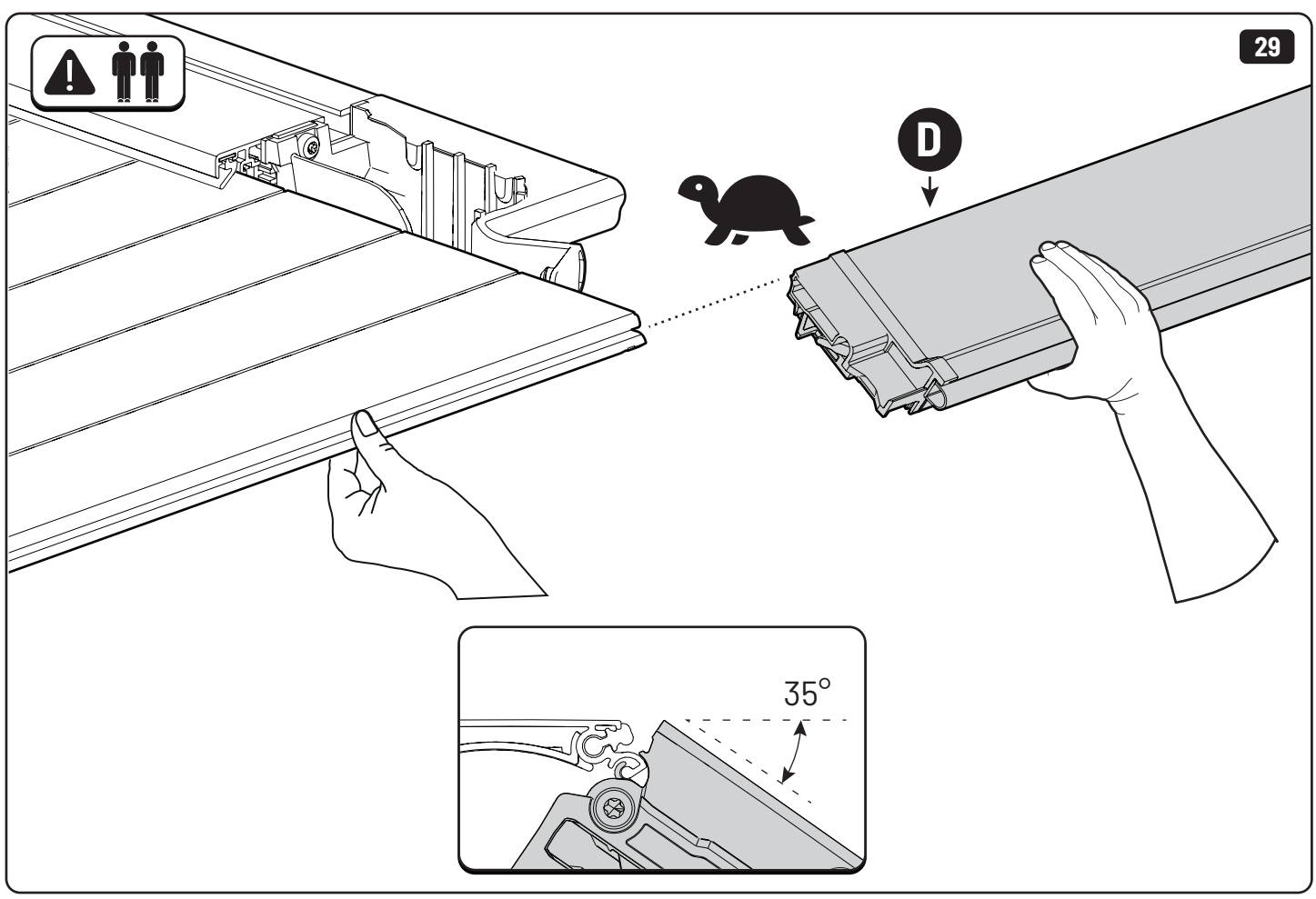
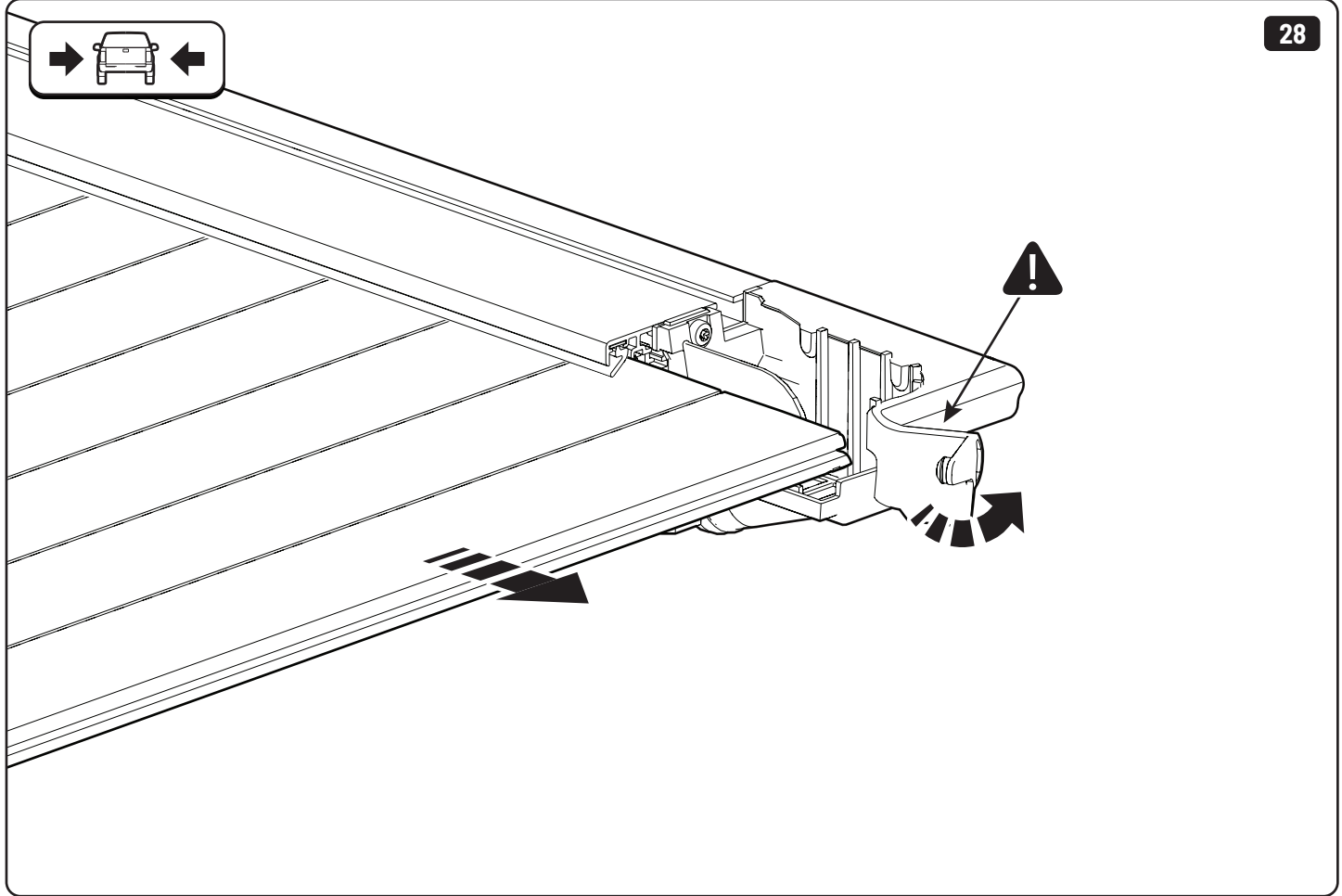
 **RAP CAB**

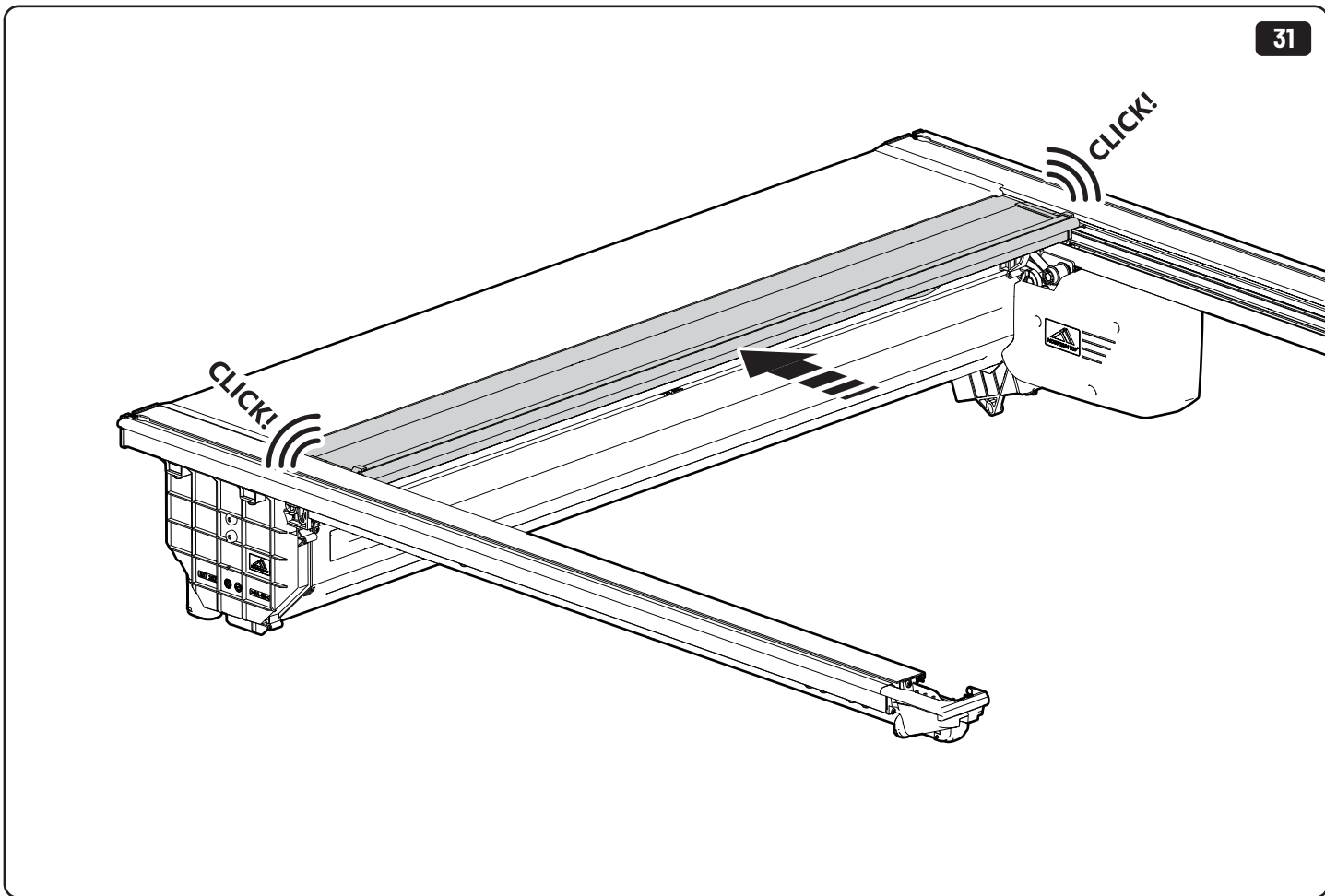
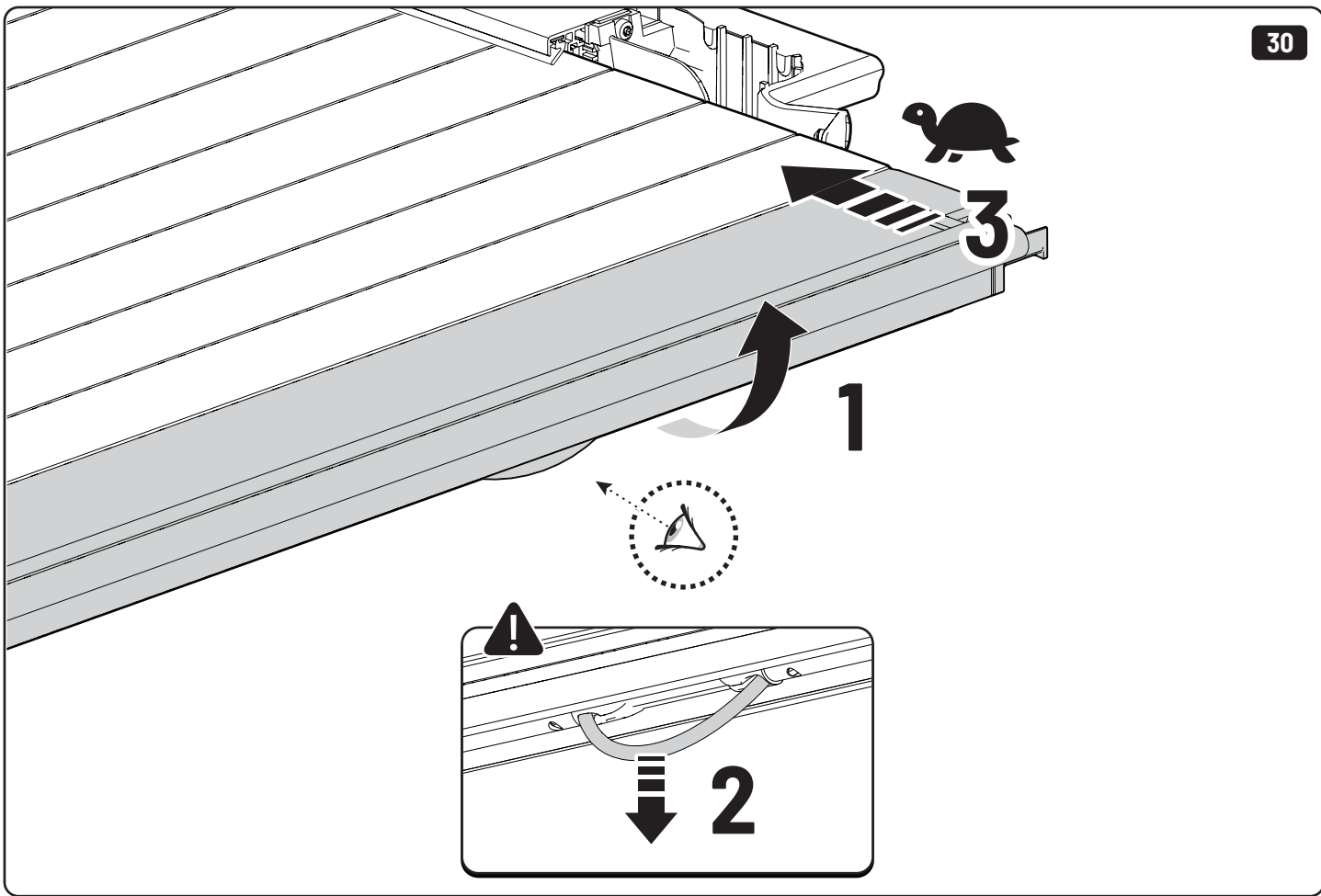
26

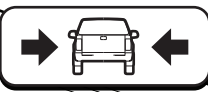
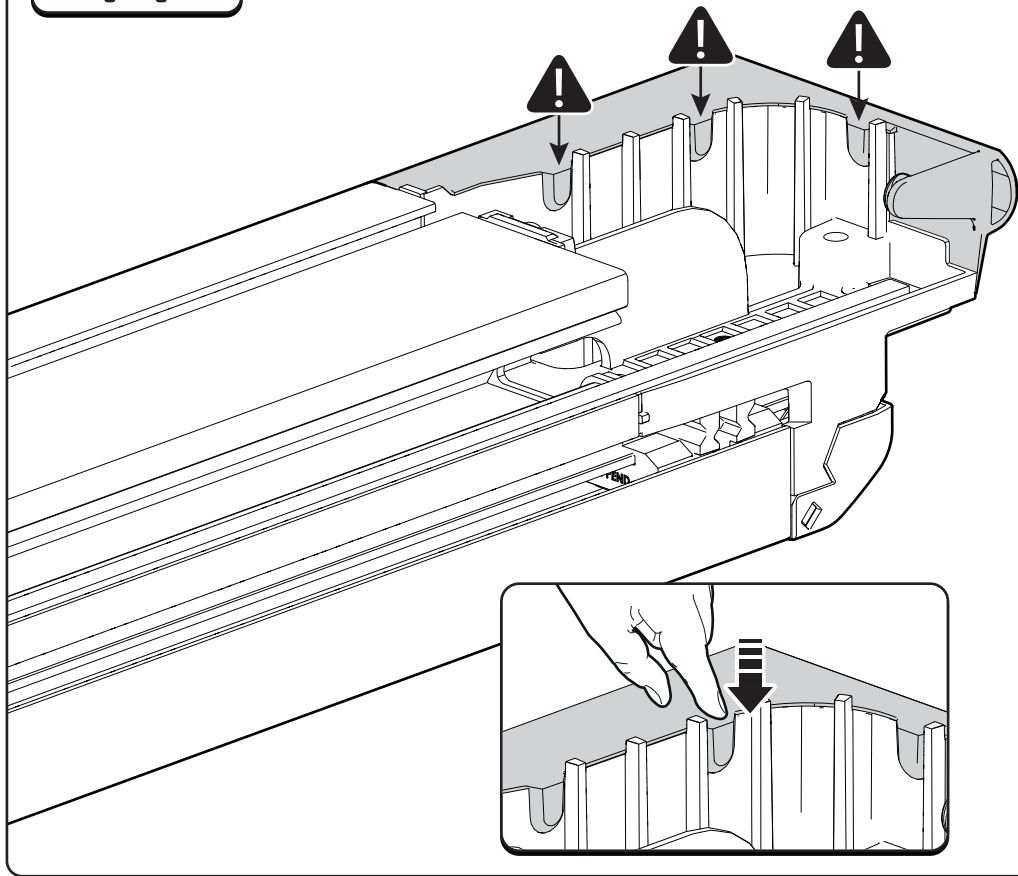
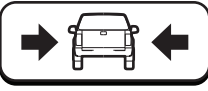


27

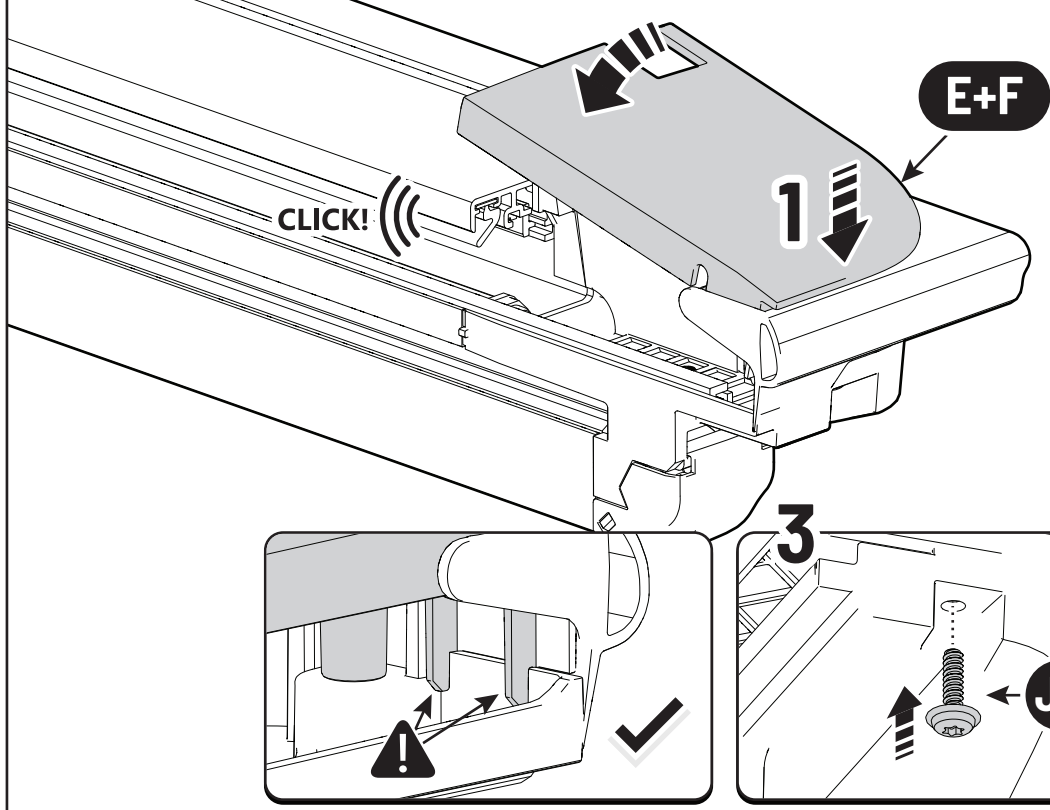


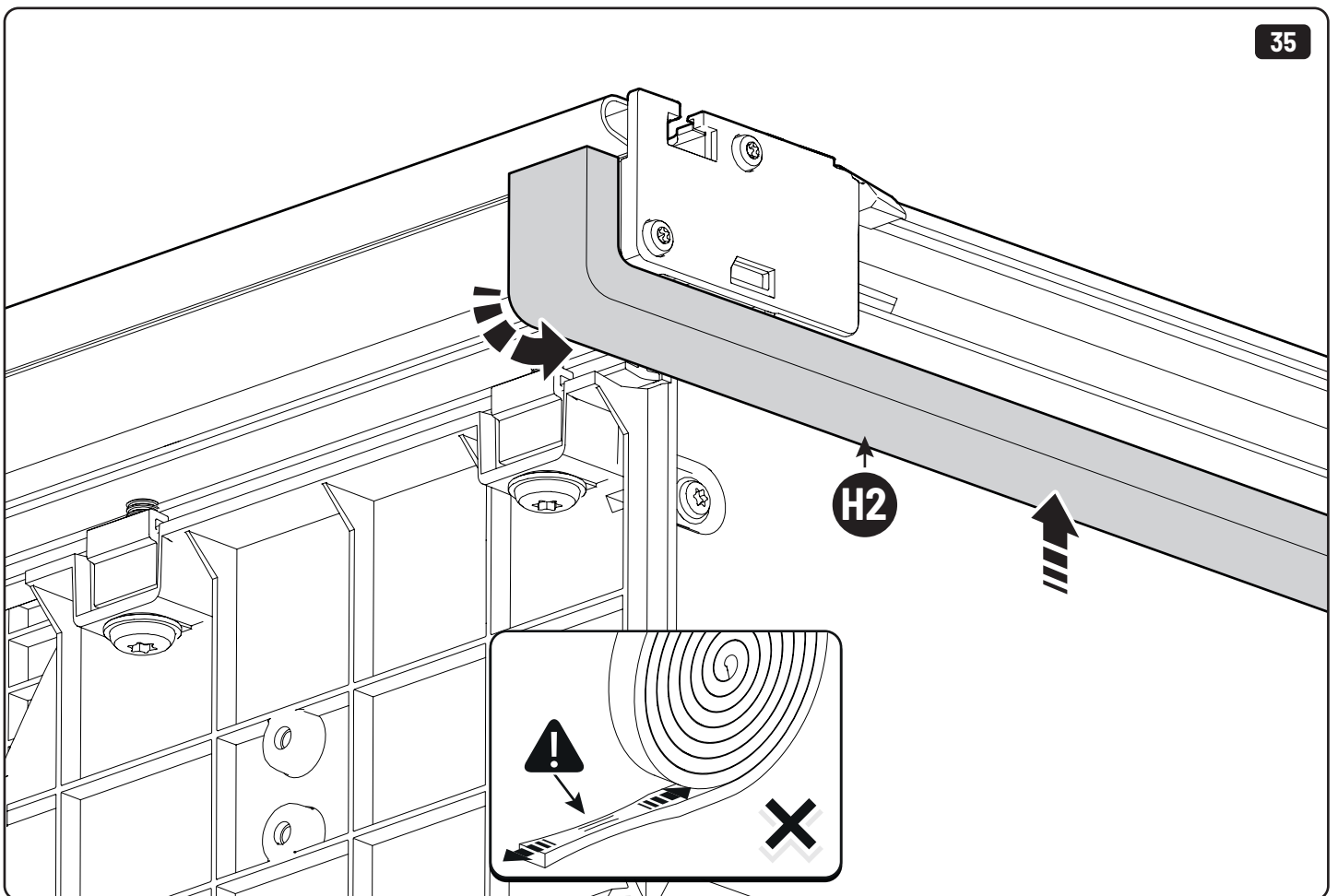
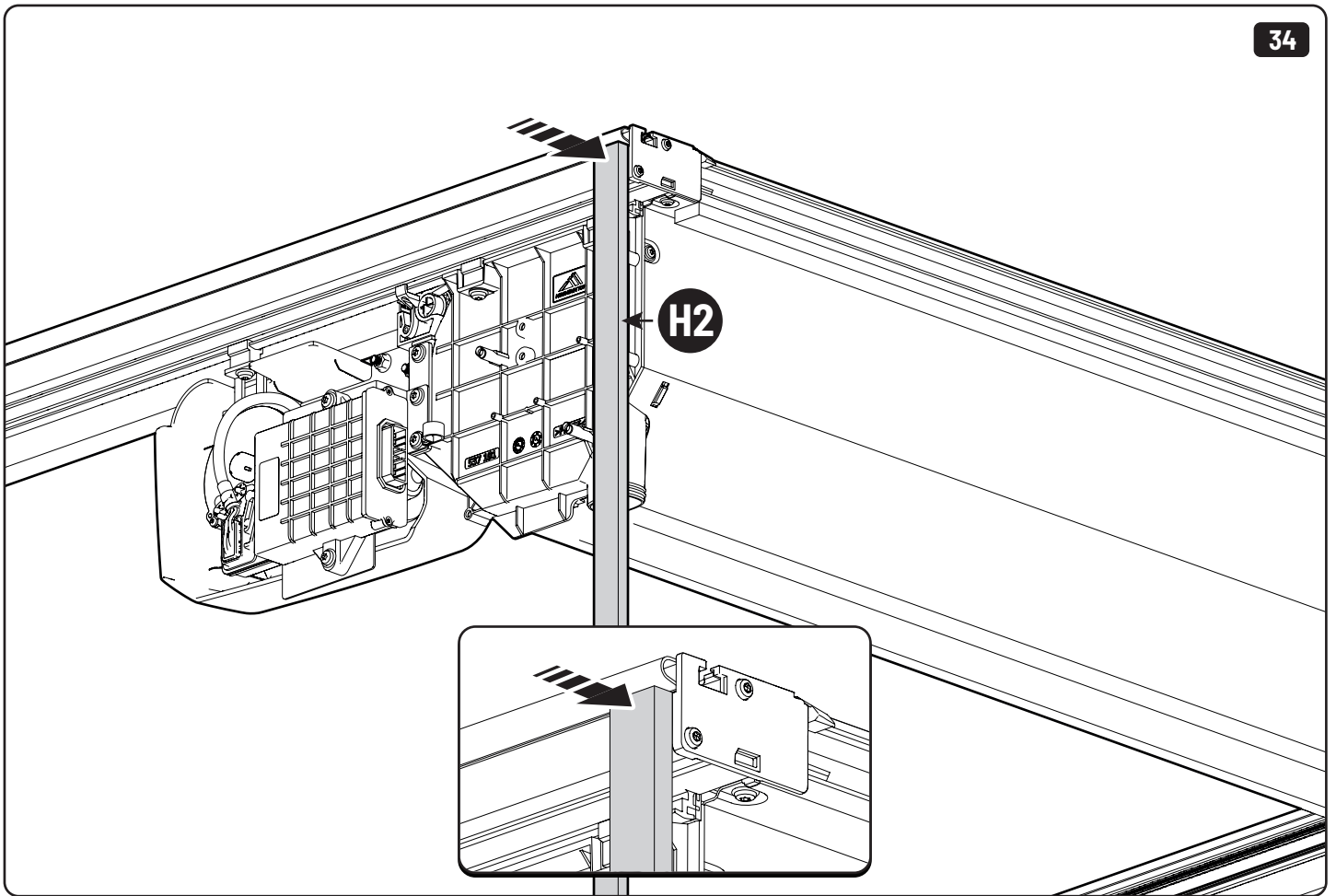




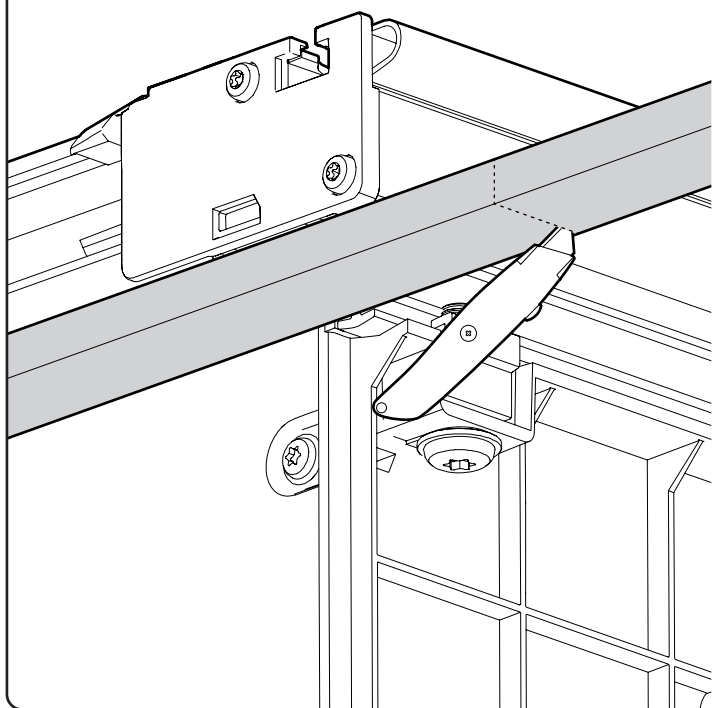


T20 2,4Nm

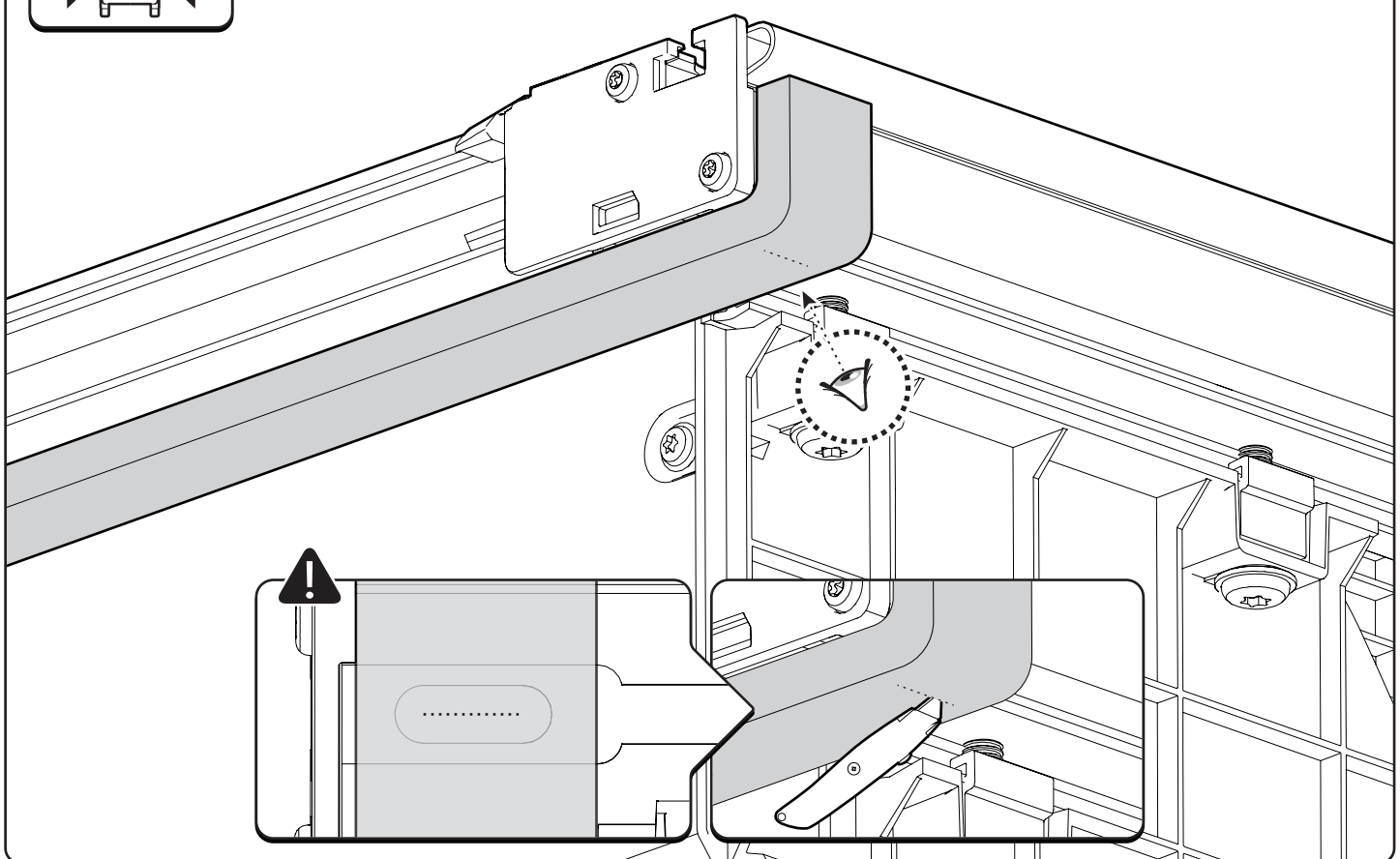
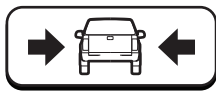
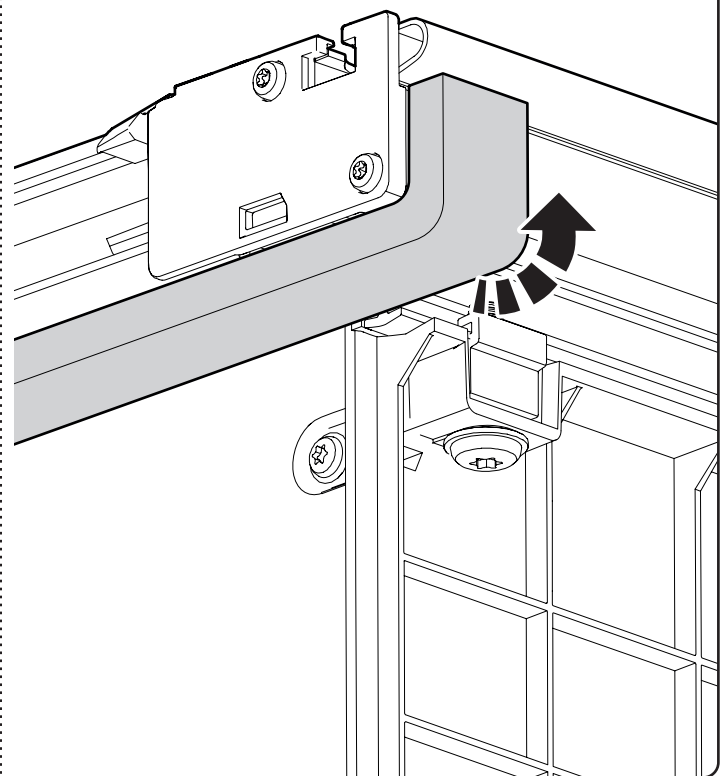


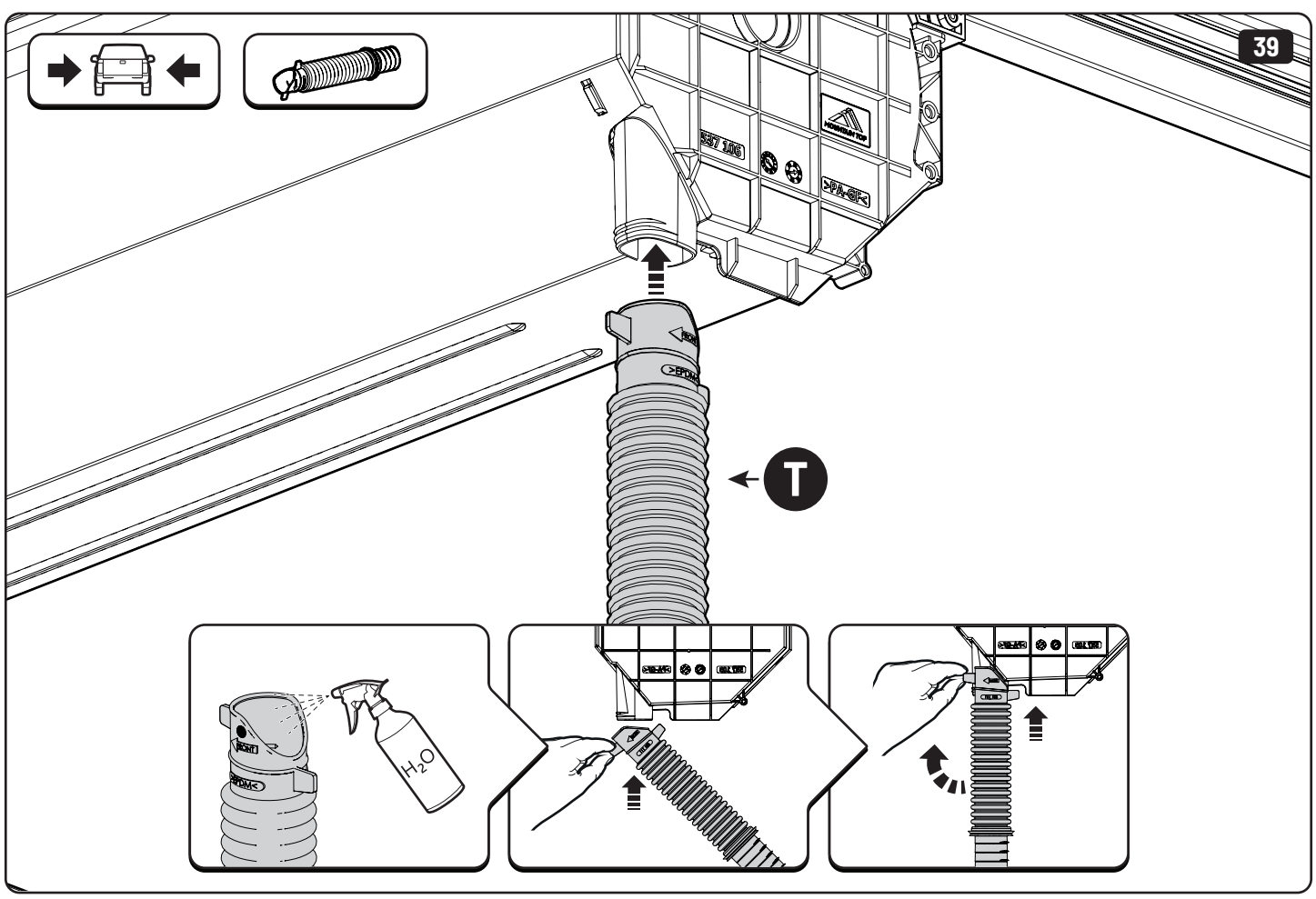
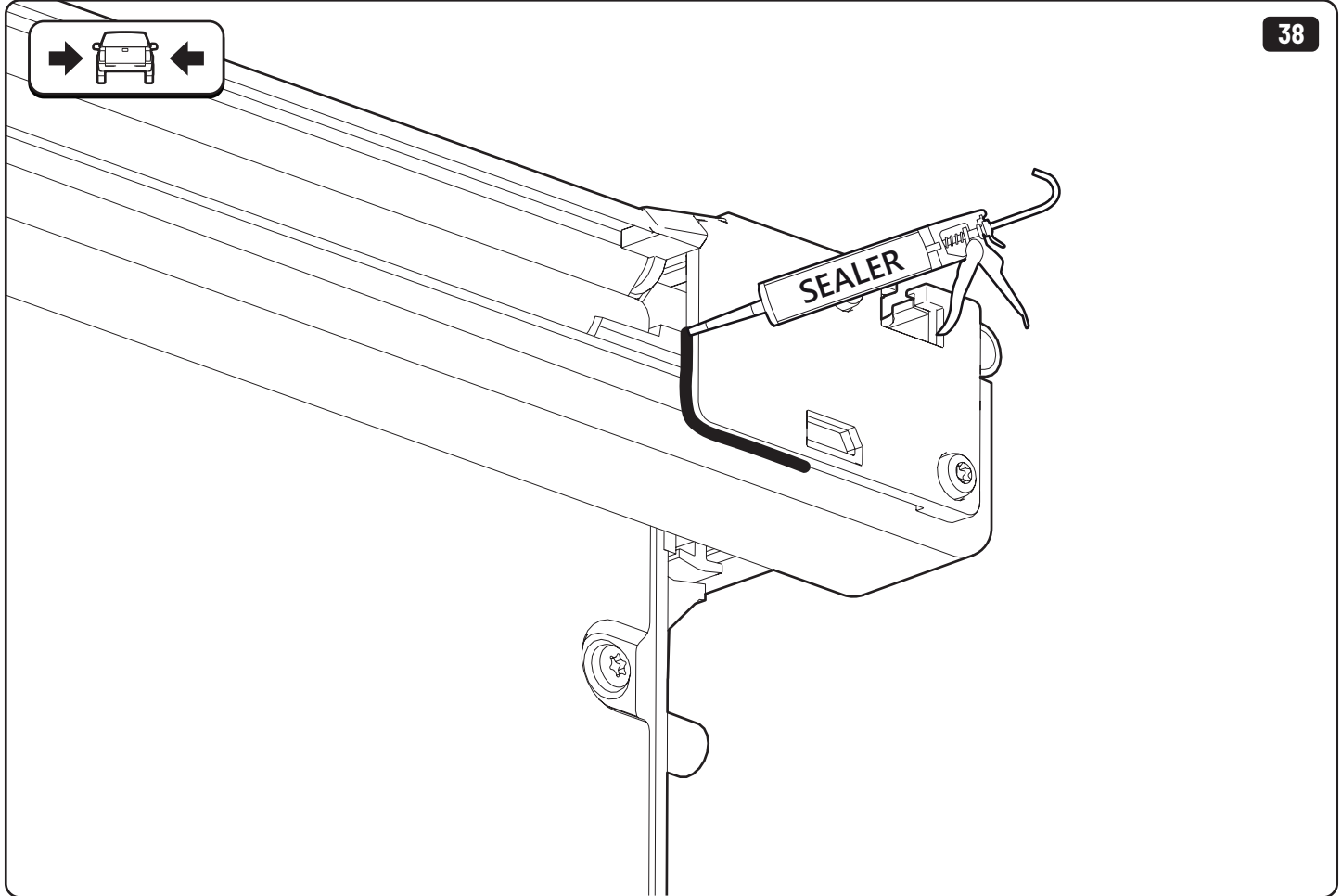


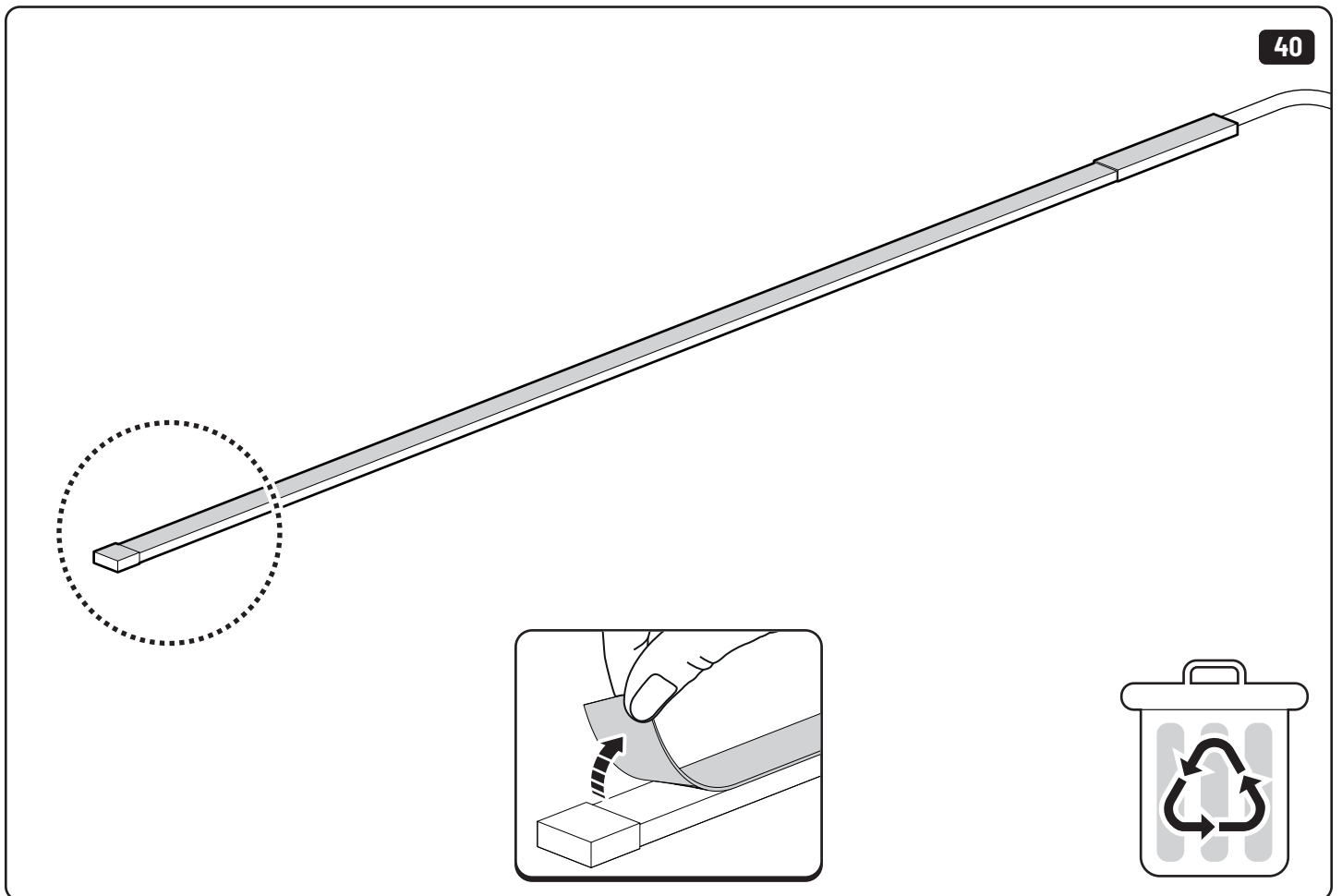
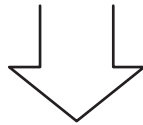
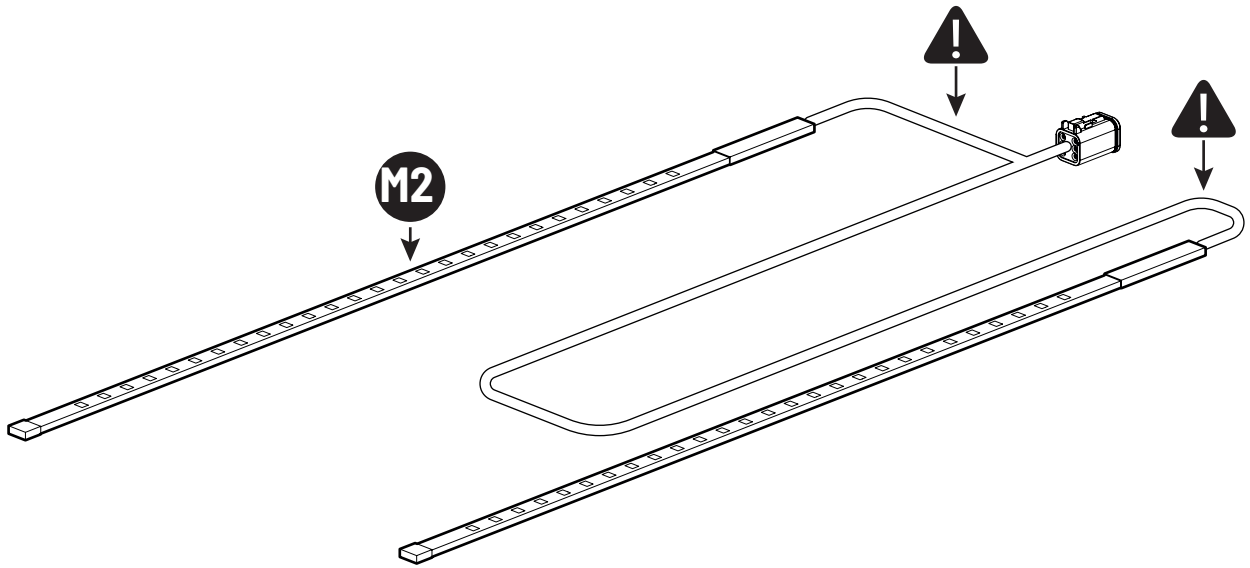
1

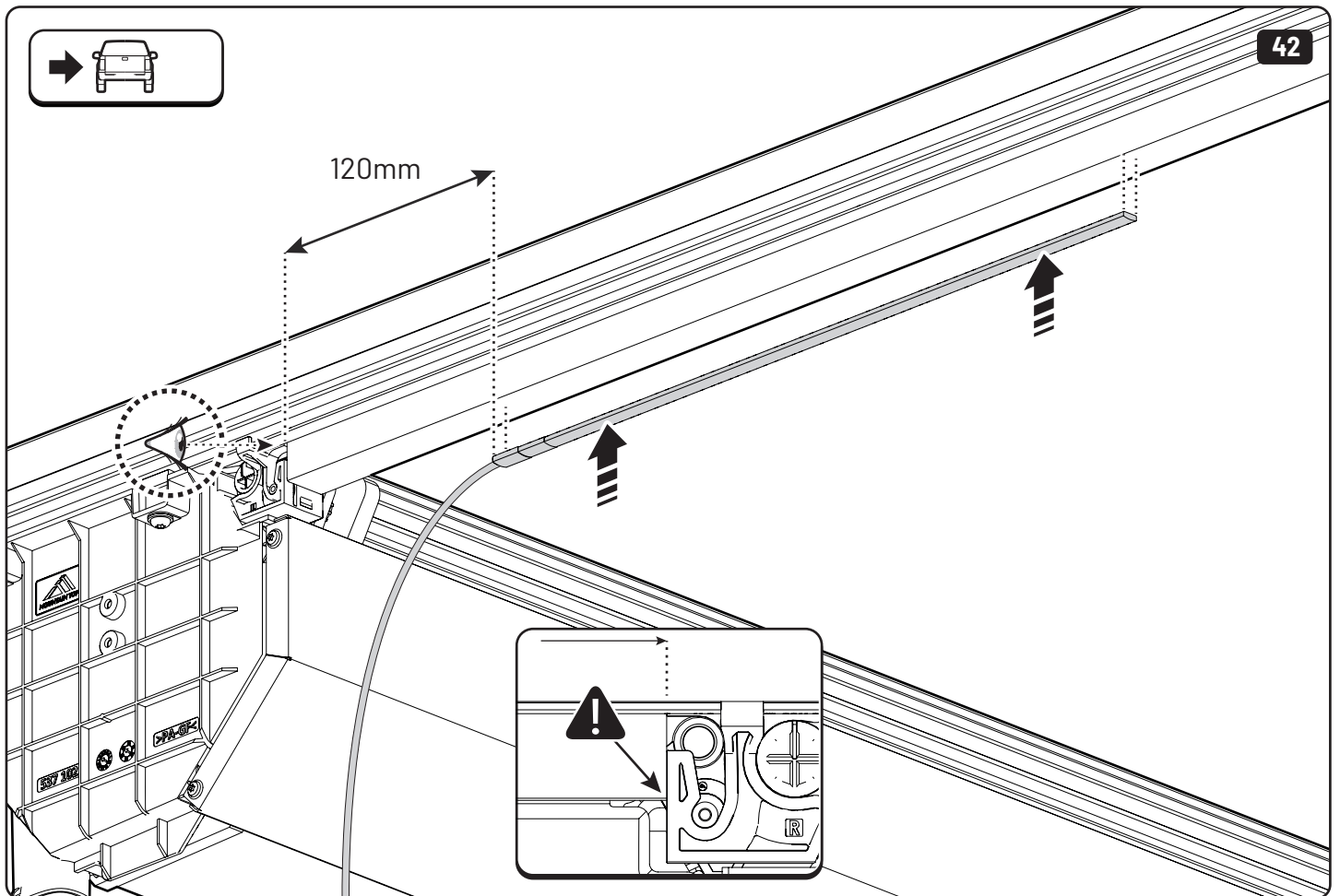
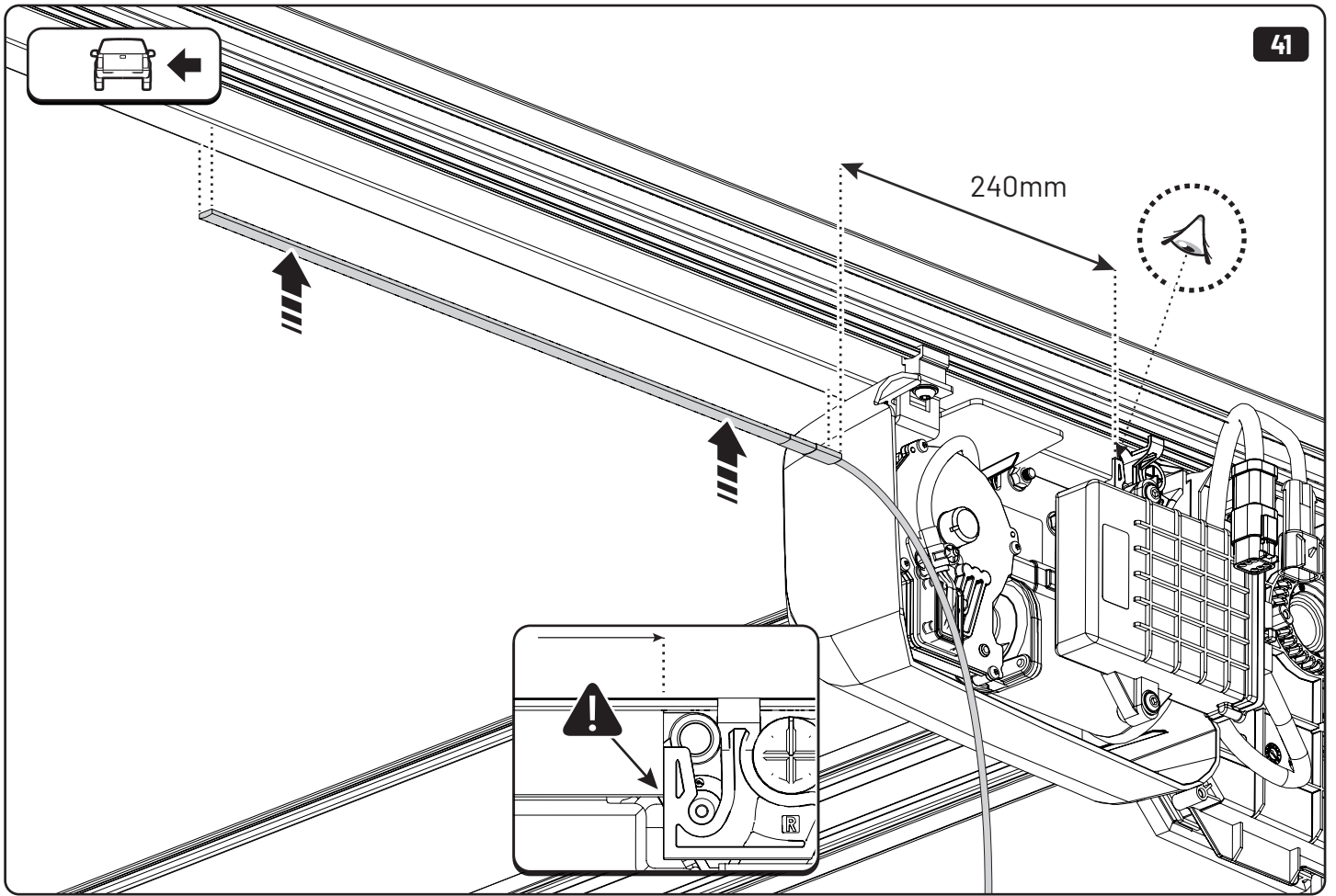


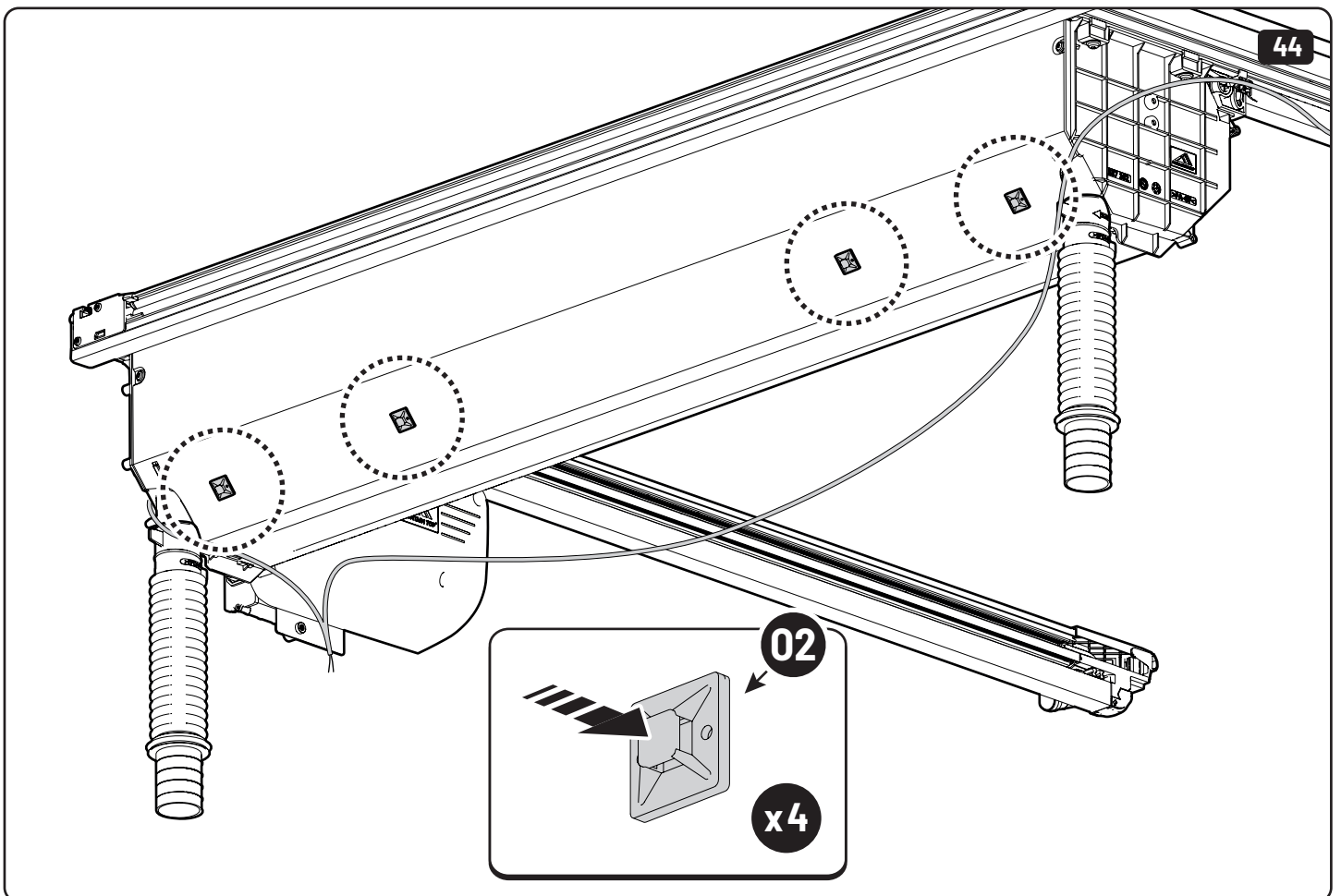
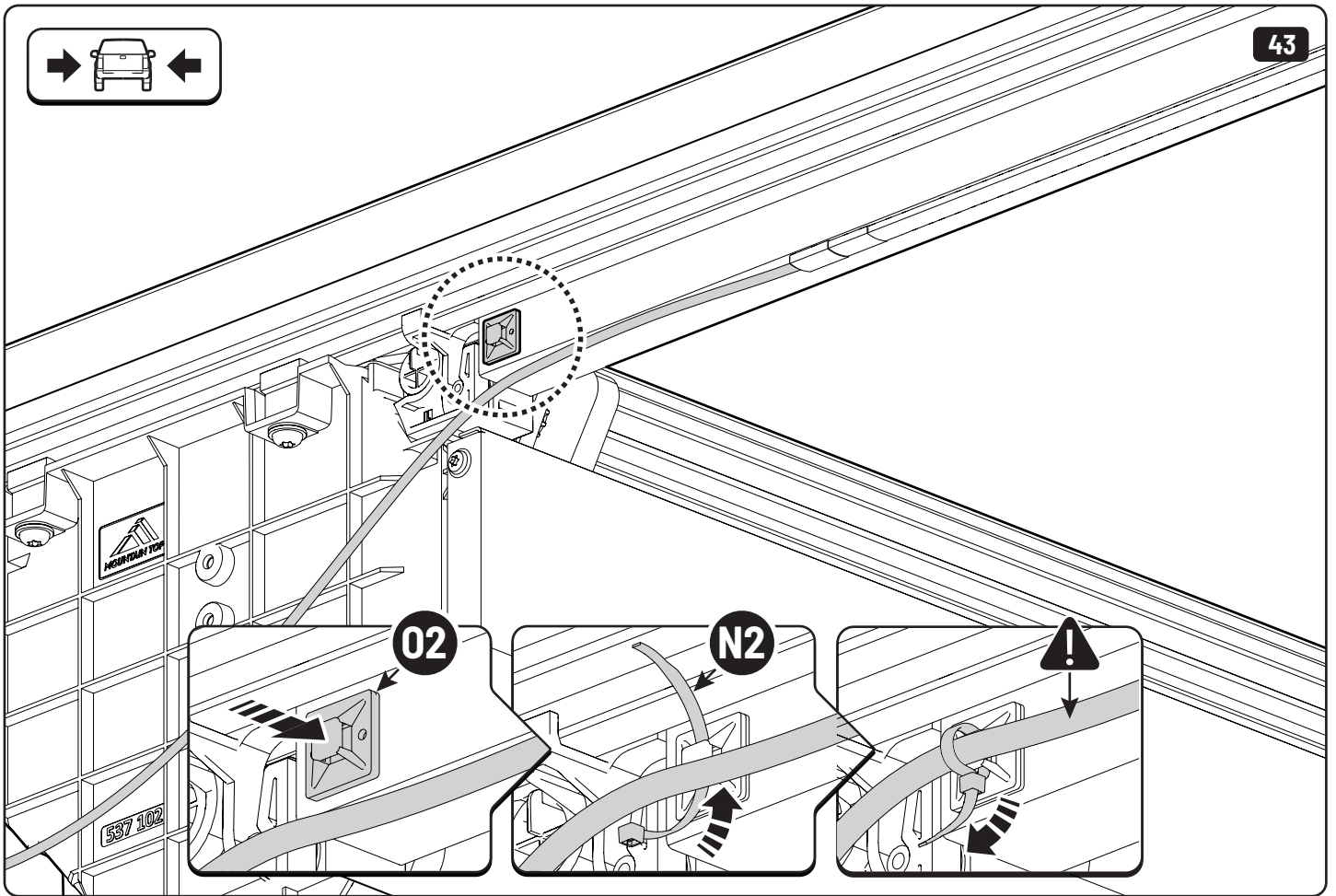
2

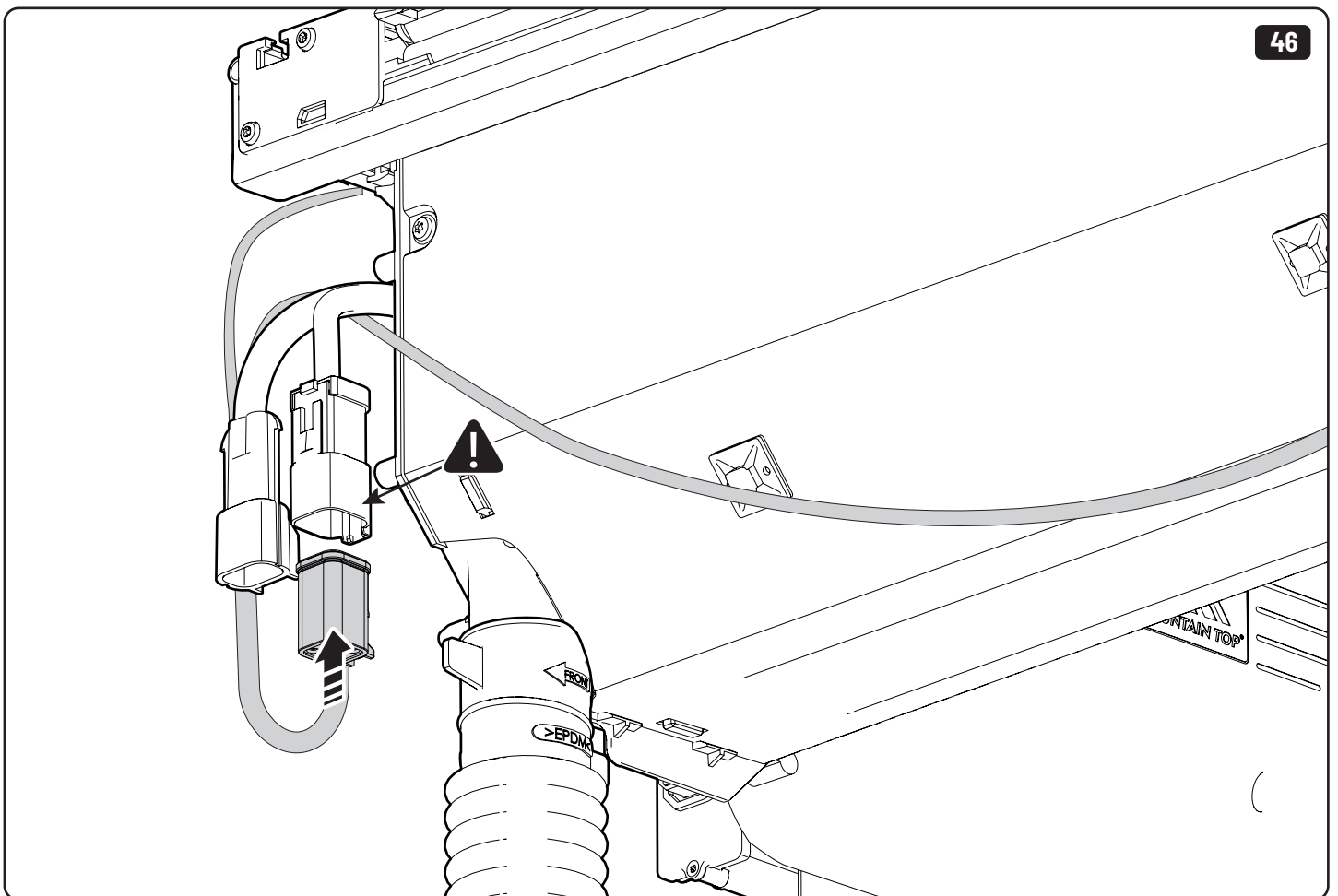
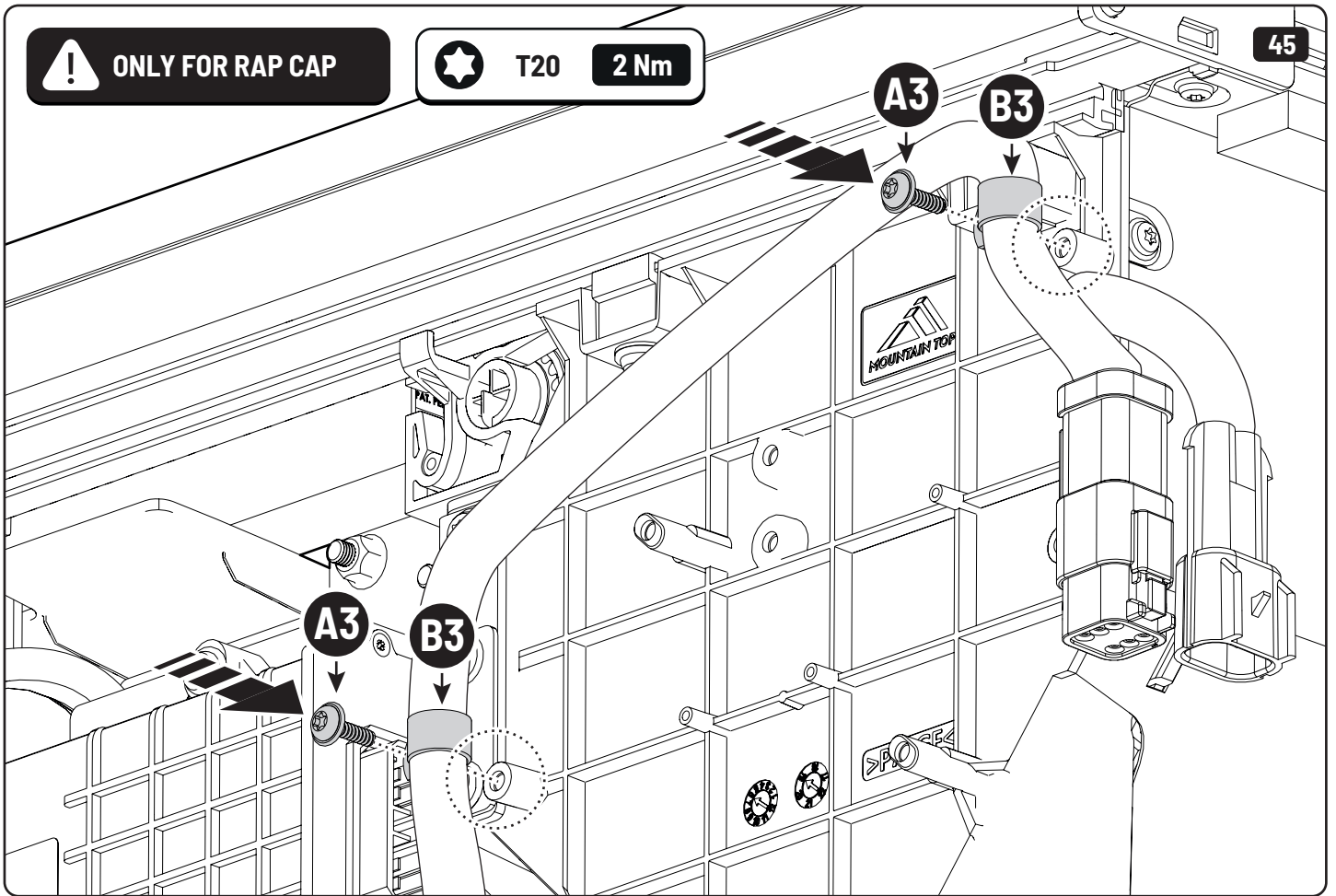


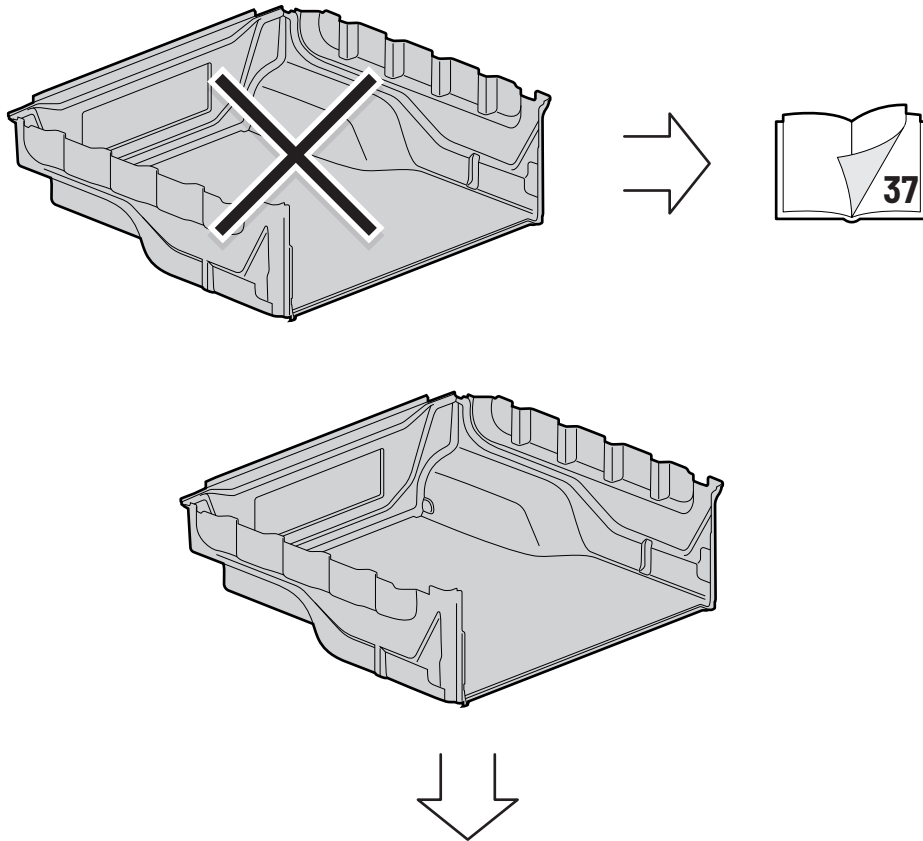






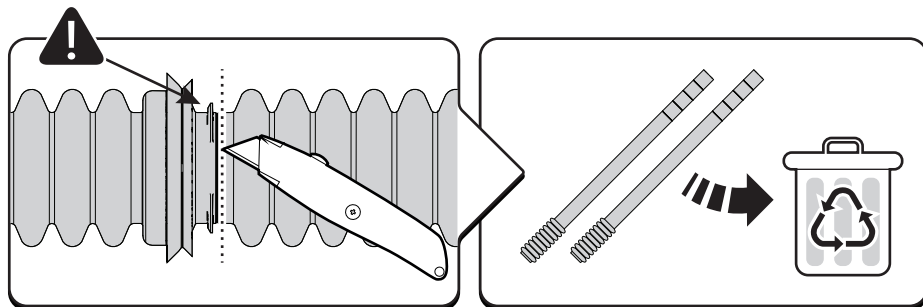
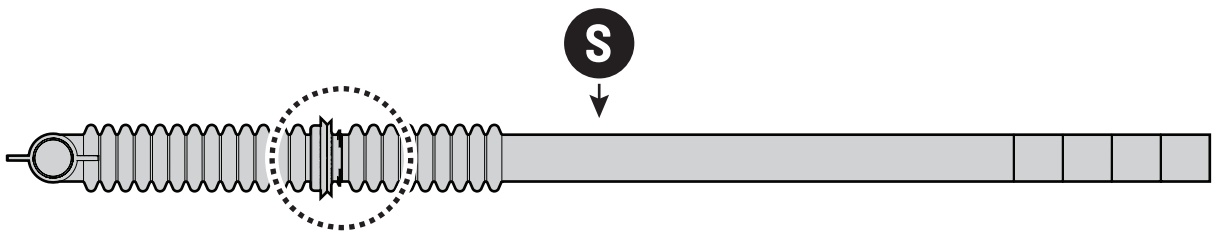




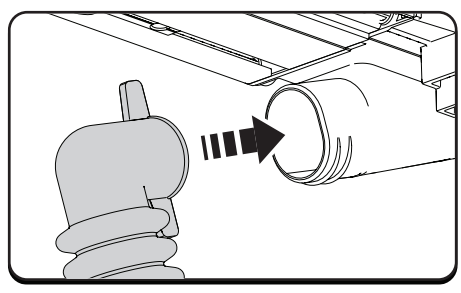
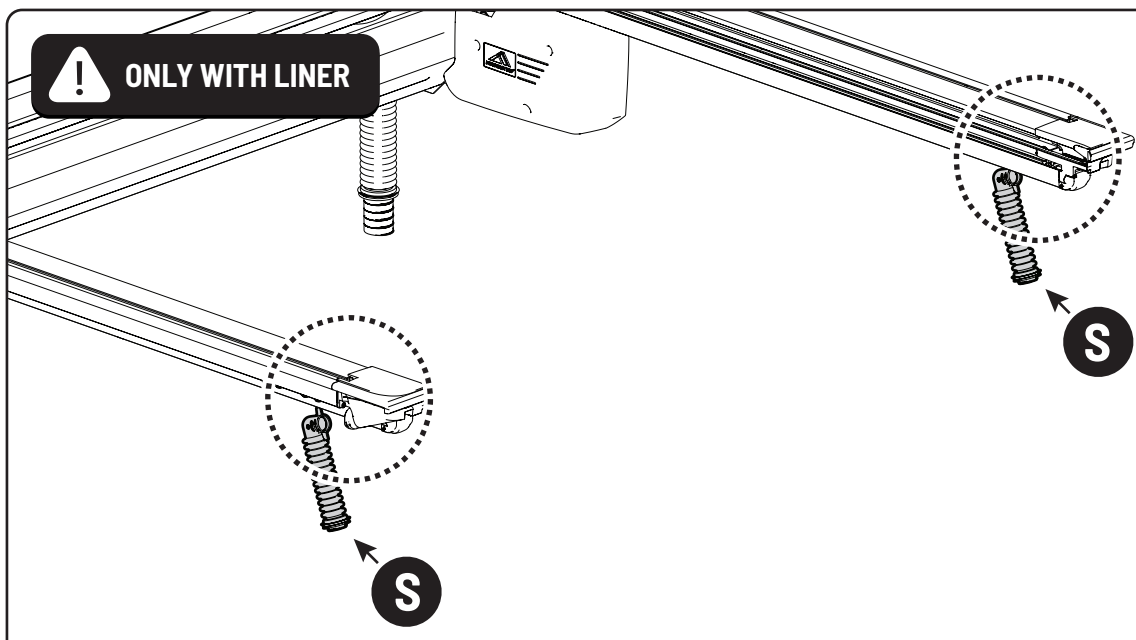


! ONLY WITH LINER

47



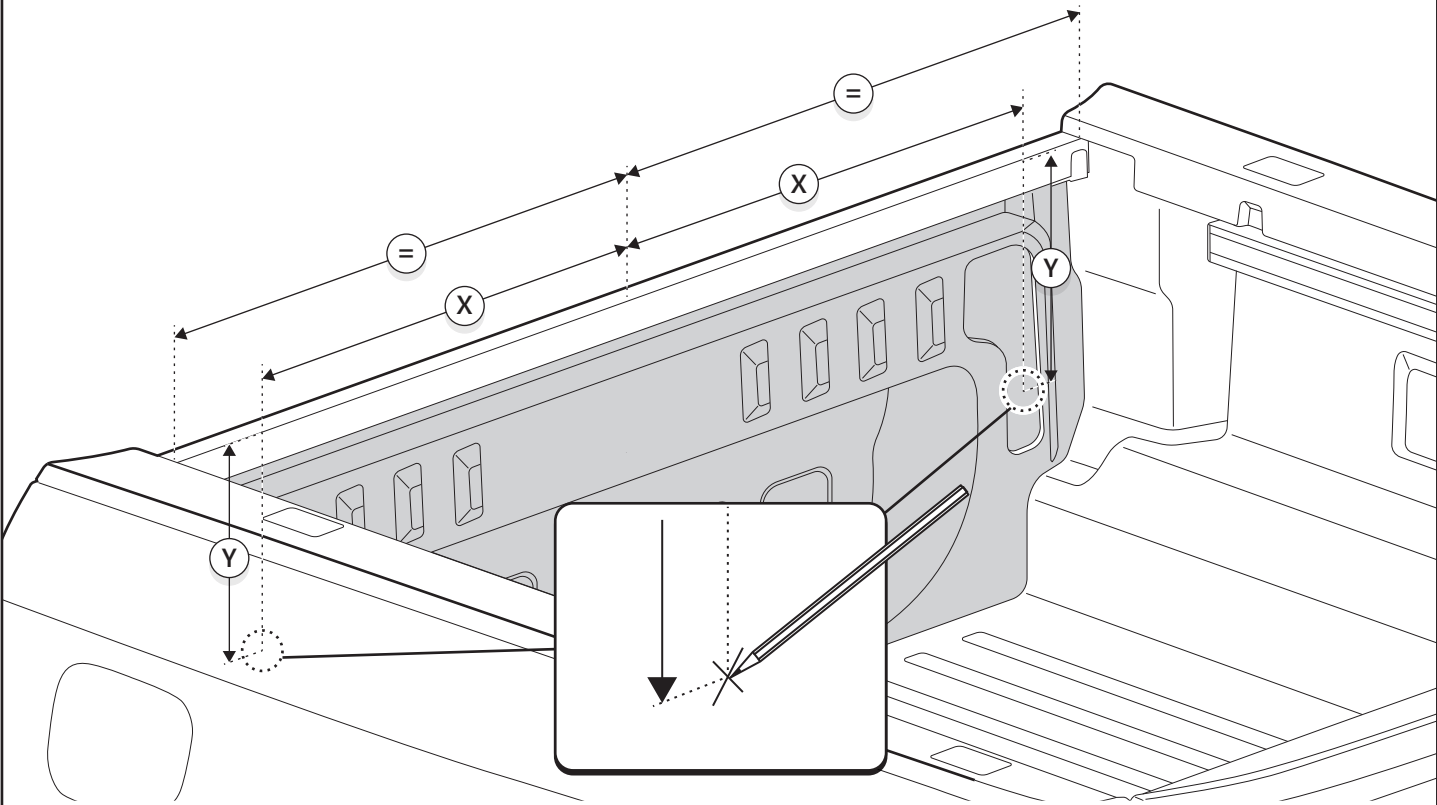
! ONLY WITH LINER



! ONLY WITH LINER

! EUROPEAN MODEL

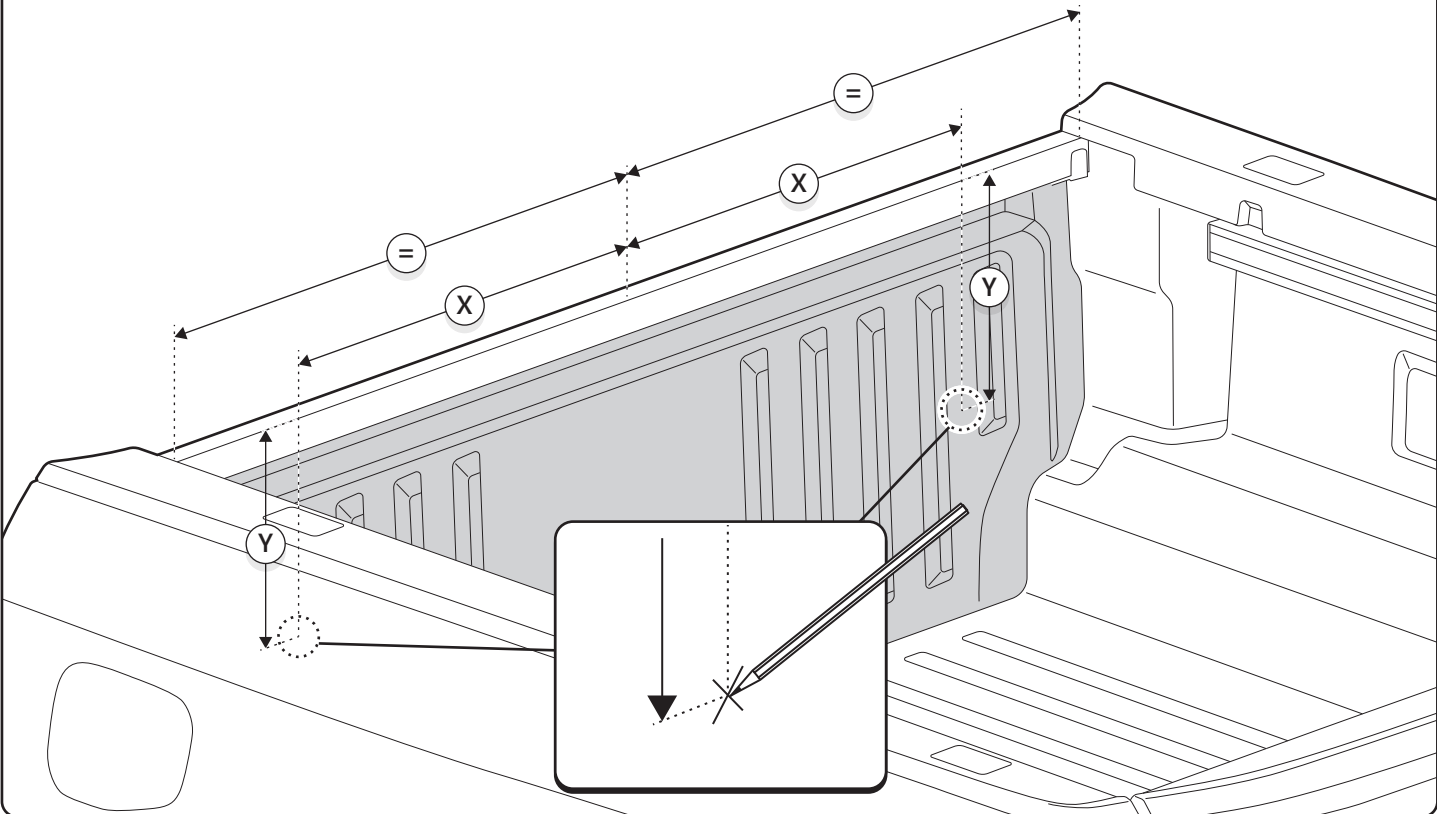
X: 650 mm Y: 290 mm



! ONLY WITH LINER


! OTHER MODELS

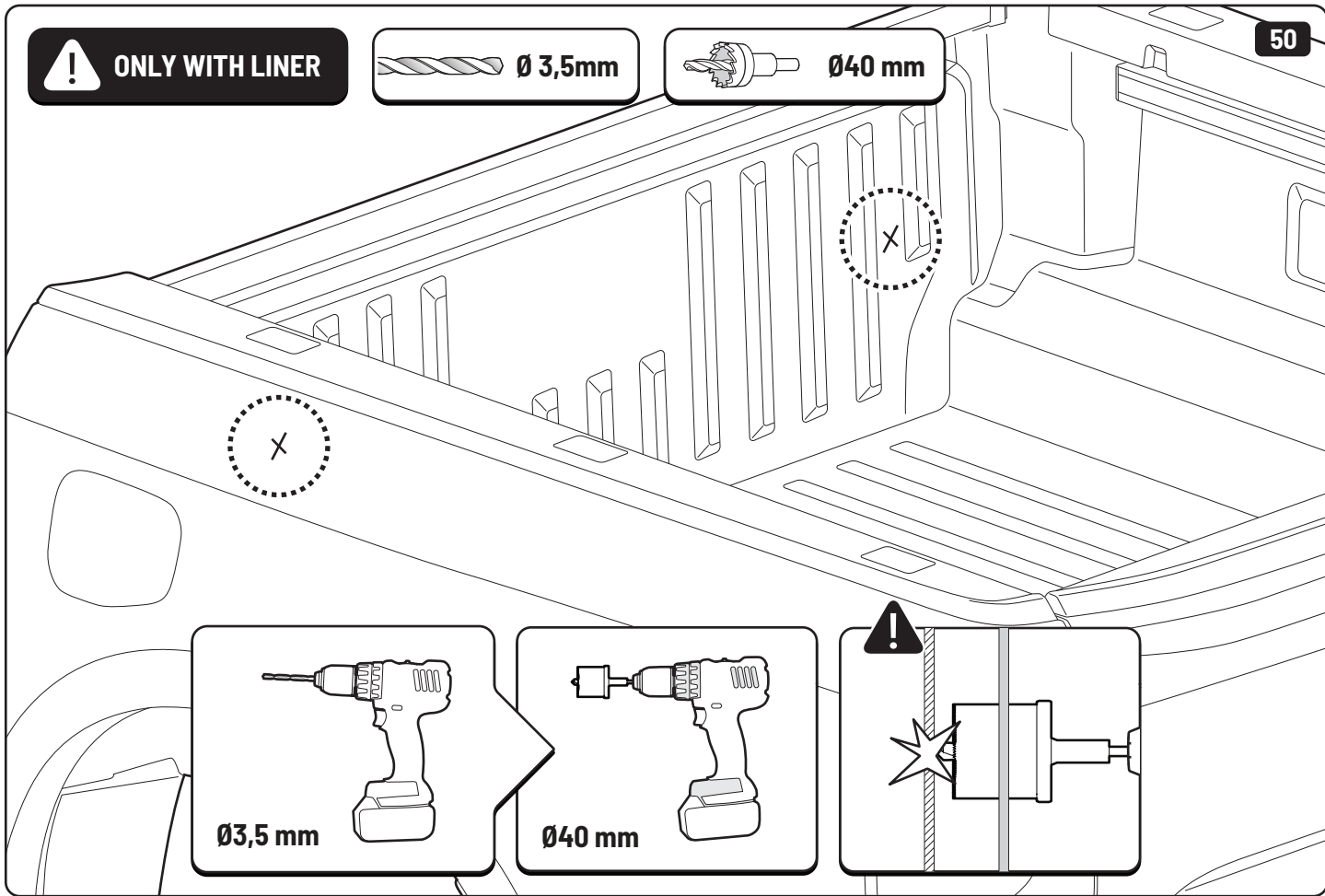
X: 560 mm Y: 330 mm



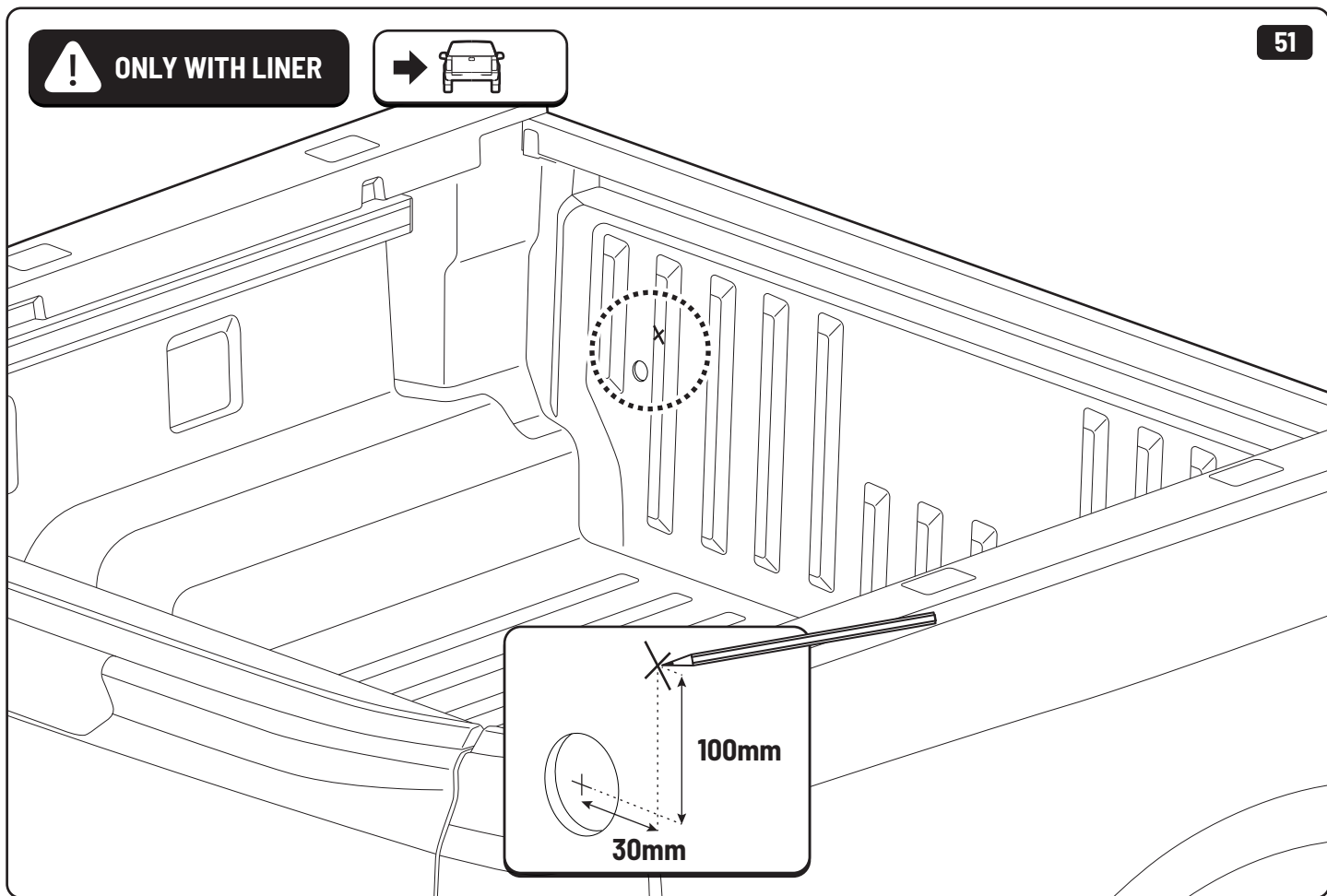
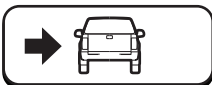
! ONLY WITH LINER

 **Ø 3,5mm**

 **Ø40 mm**



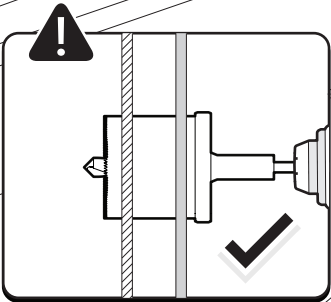
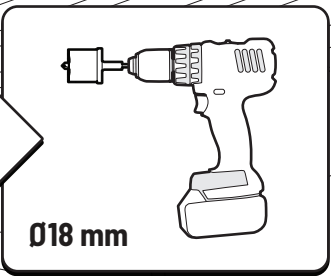
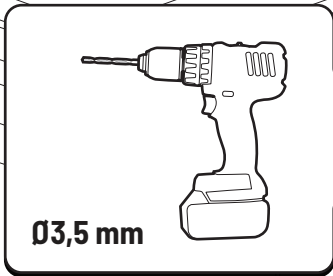
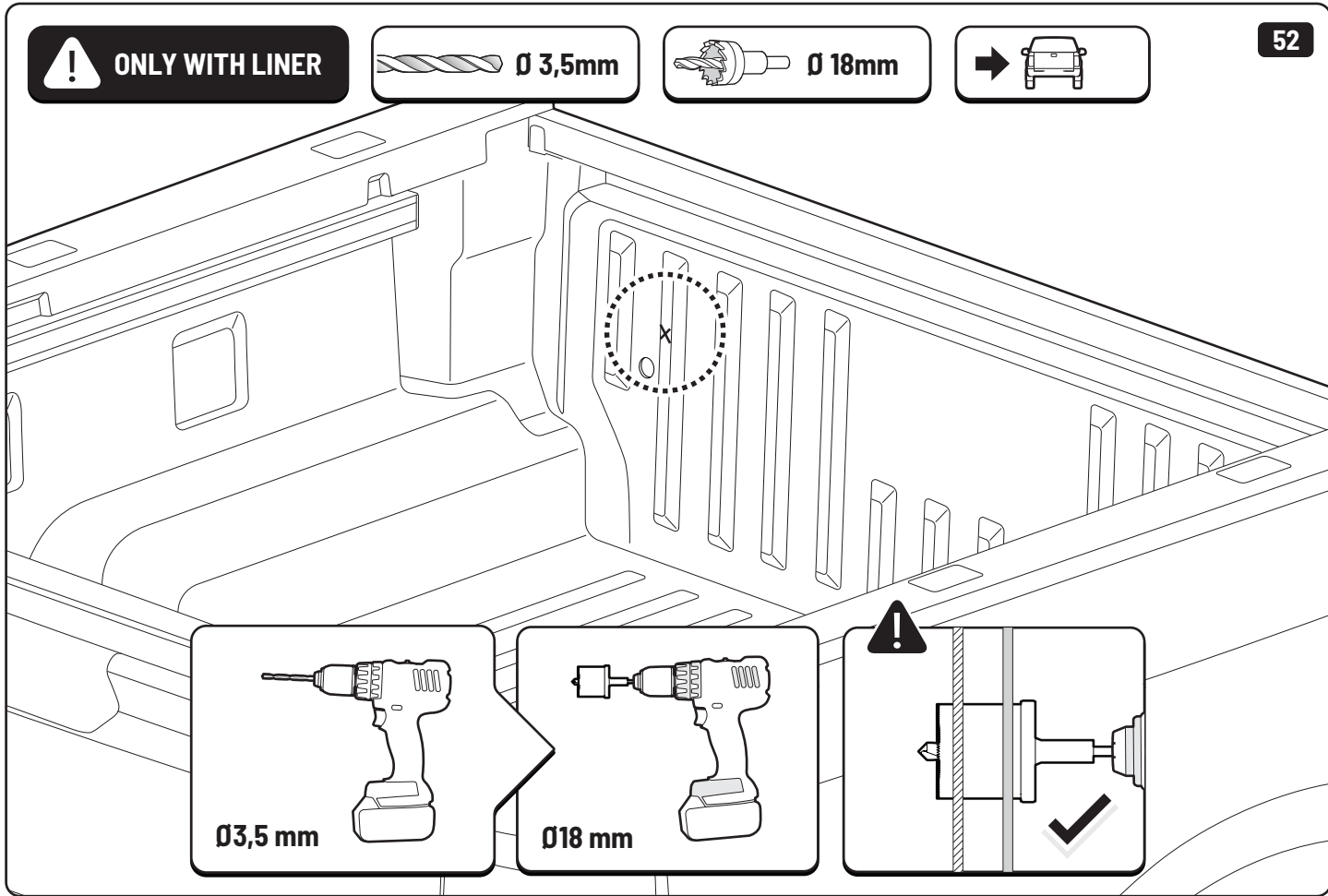
! ONLY WITH LINER



! ONLY WITH LINER



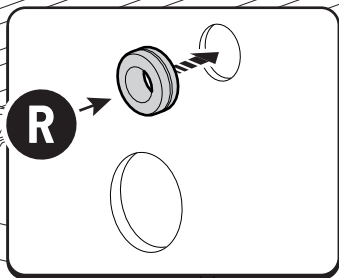
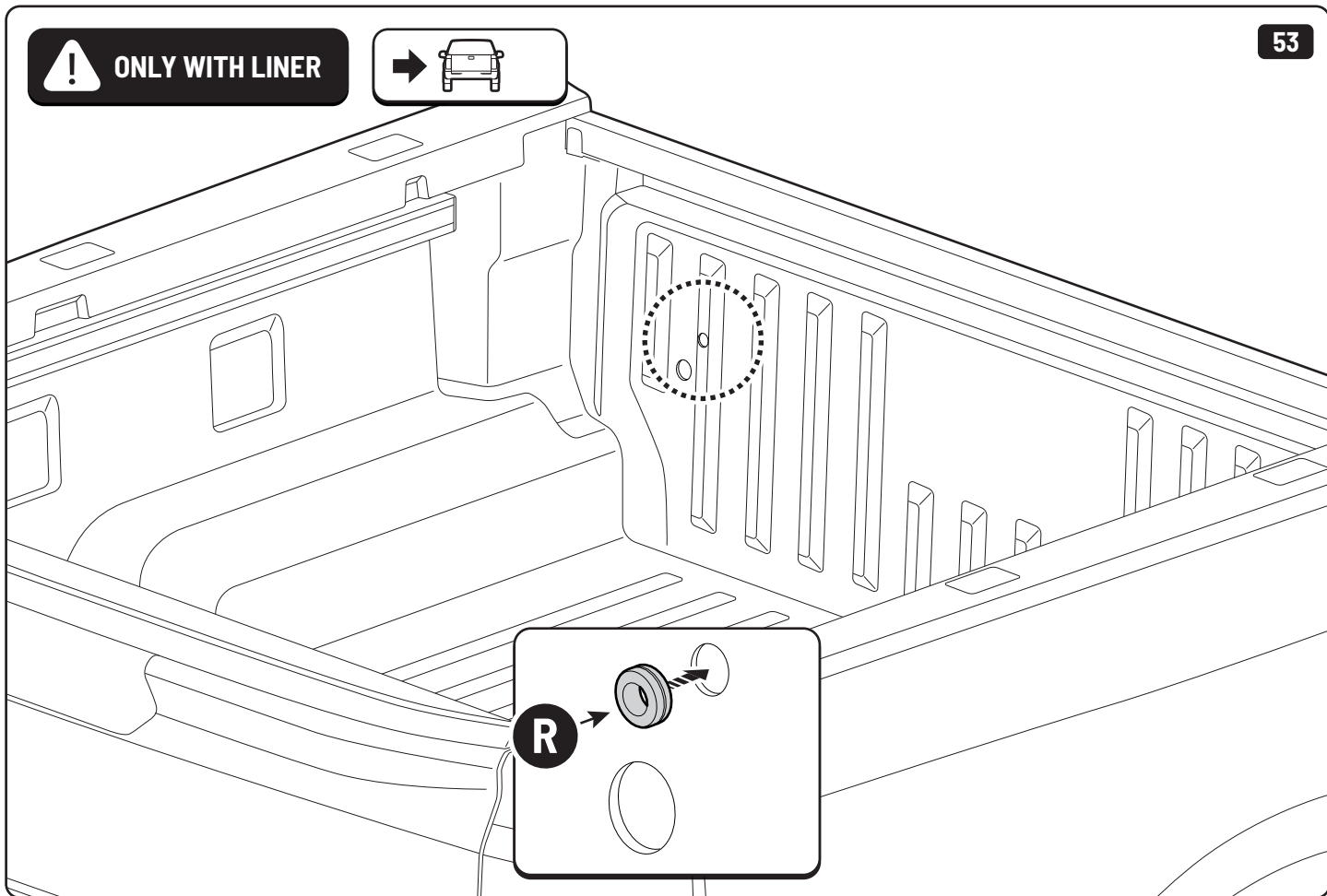
52



! ONLY WITH LINER

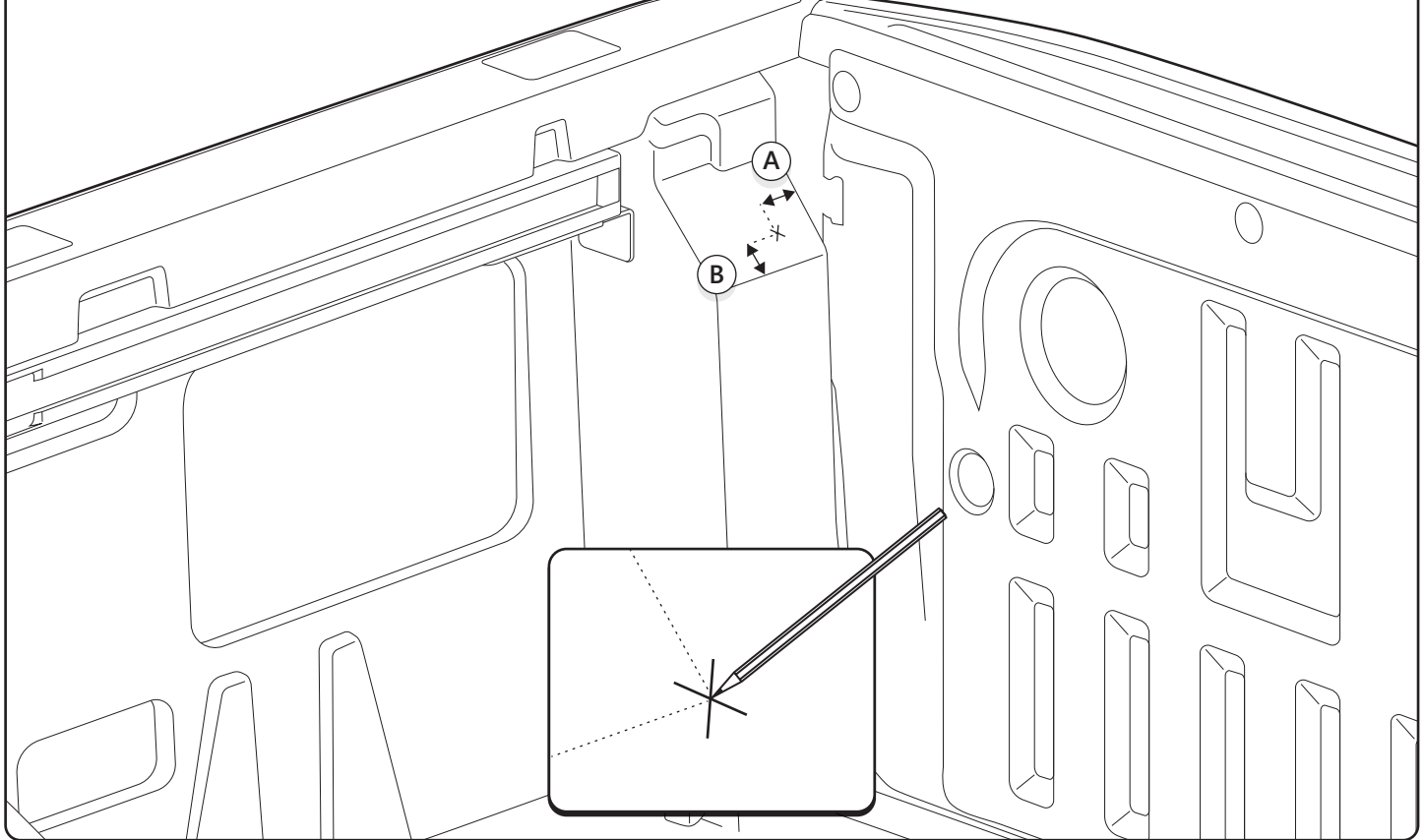
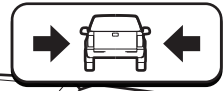


53



! ONLY WITH LINER

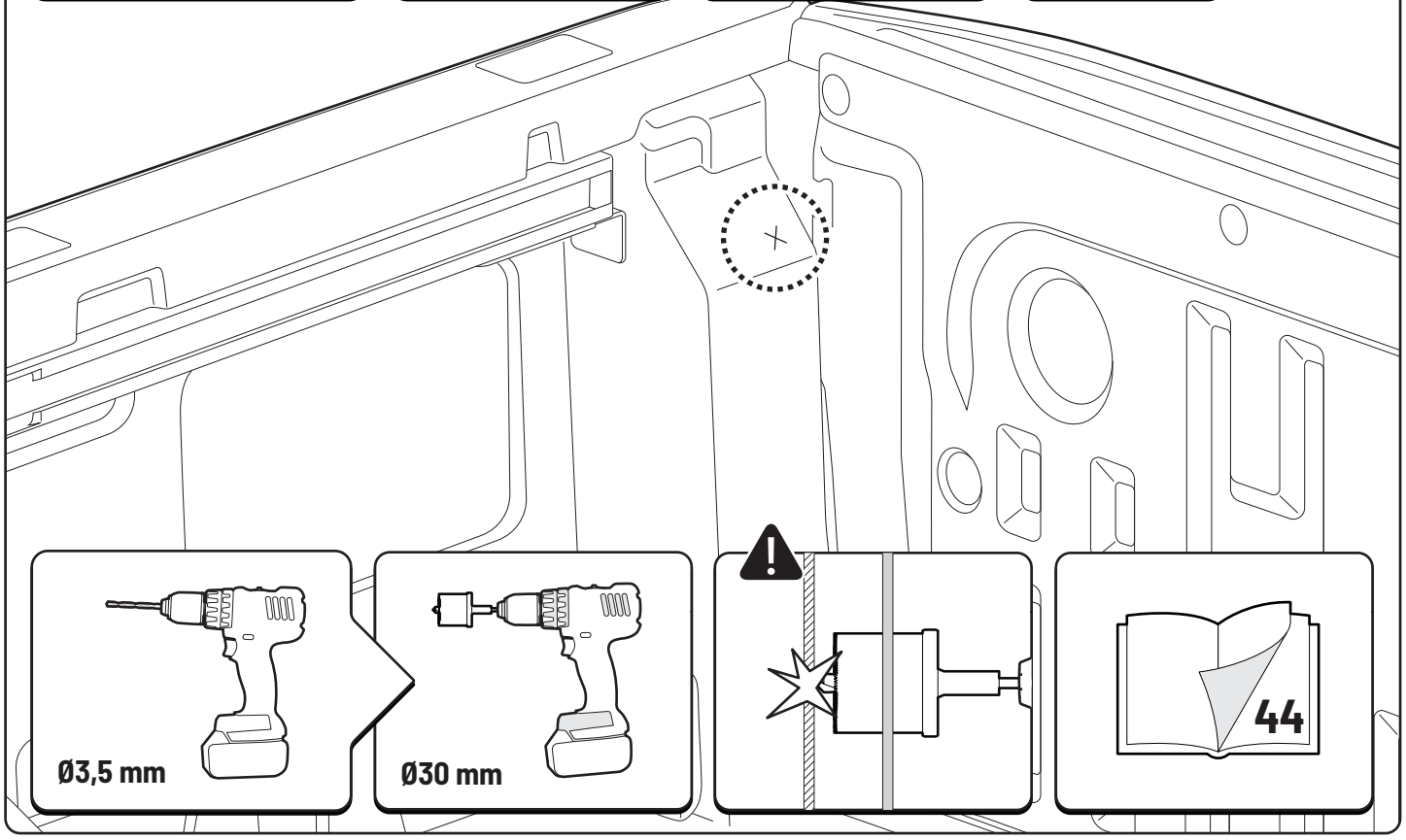
A: 30 mm B: 20 mm

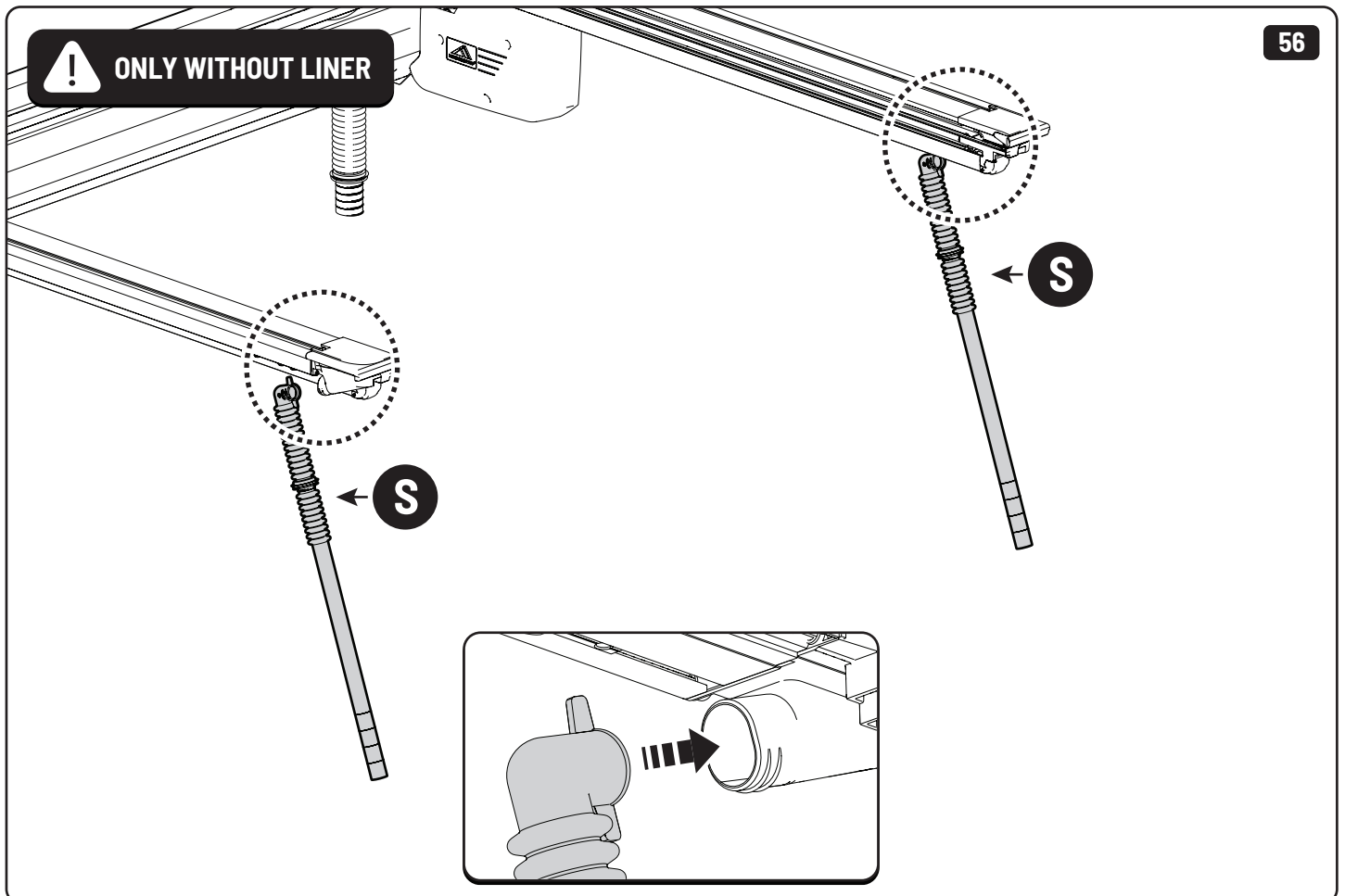
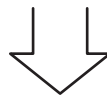
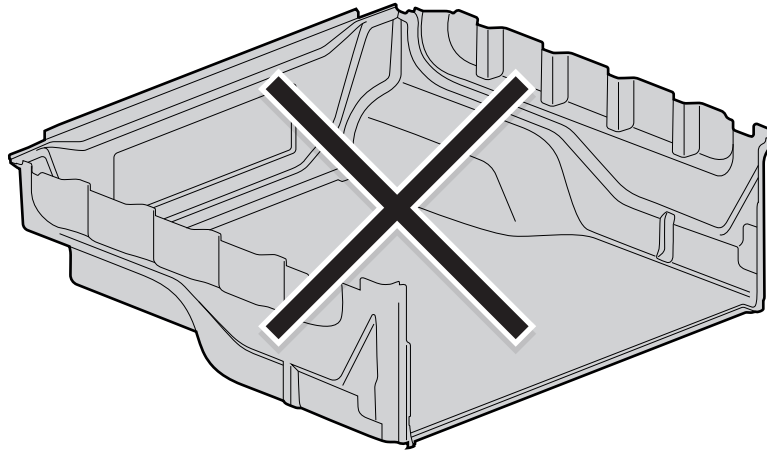


! ONLY WITH LINER

Ø 3,5mm

Ø30 mm

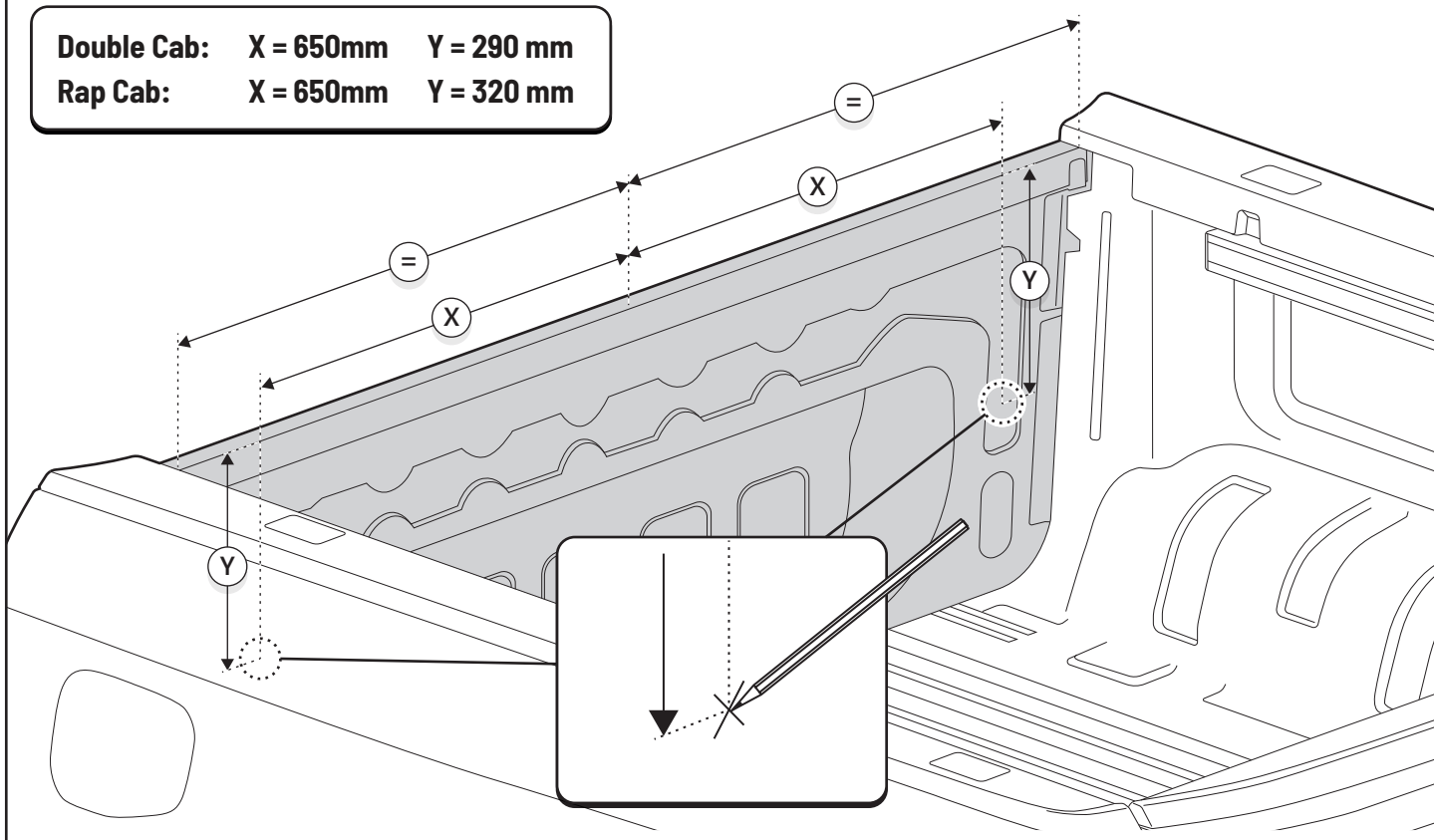




! ONLY WITHOUT LINER

! EUROPEAN MODEL

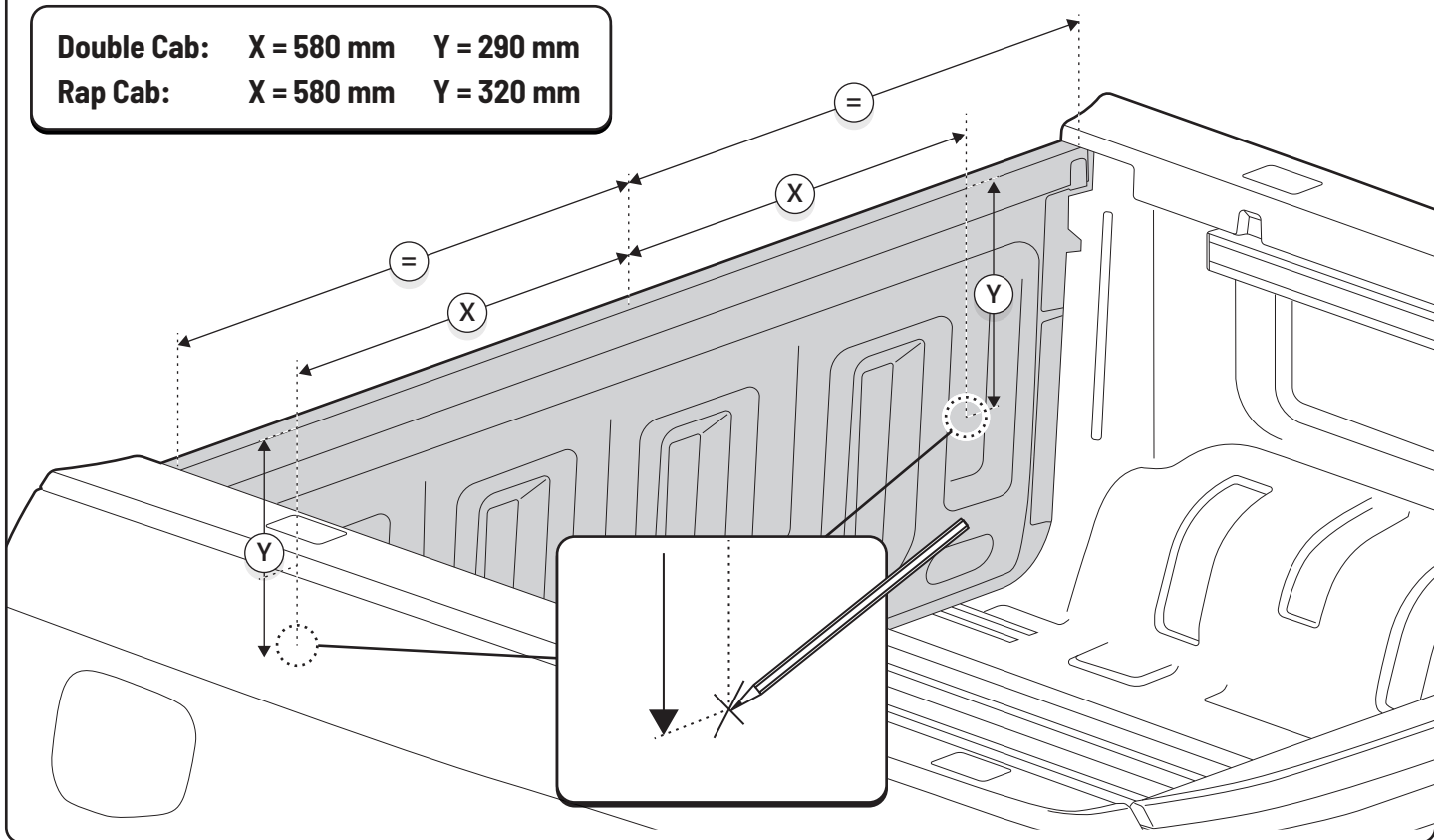
Double Cab: X = 650mm Y = 290 mm
Rap Cab: X = 650mm Y = 320 mm



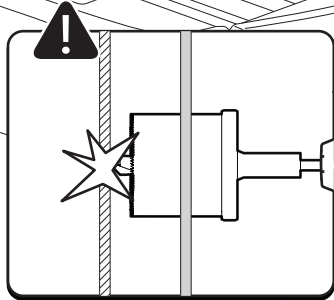
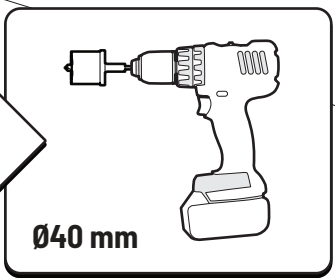
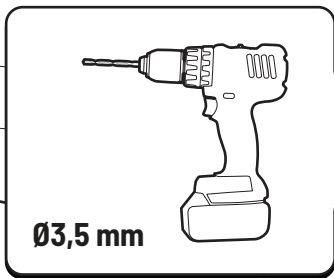
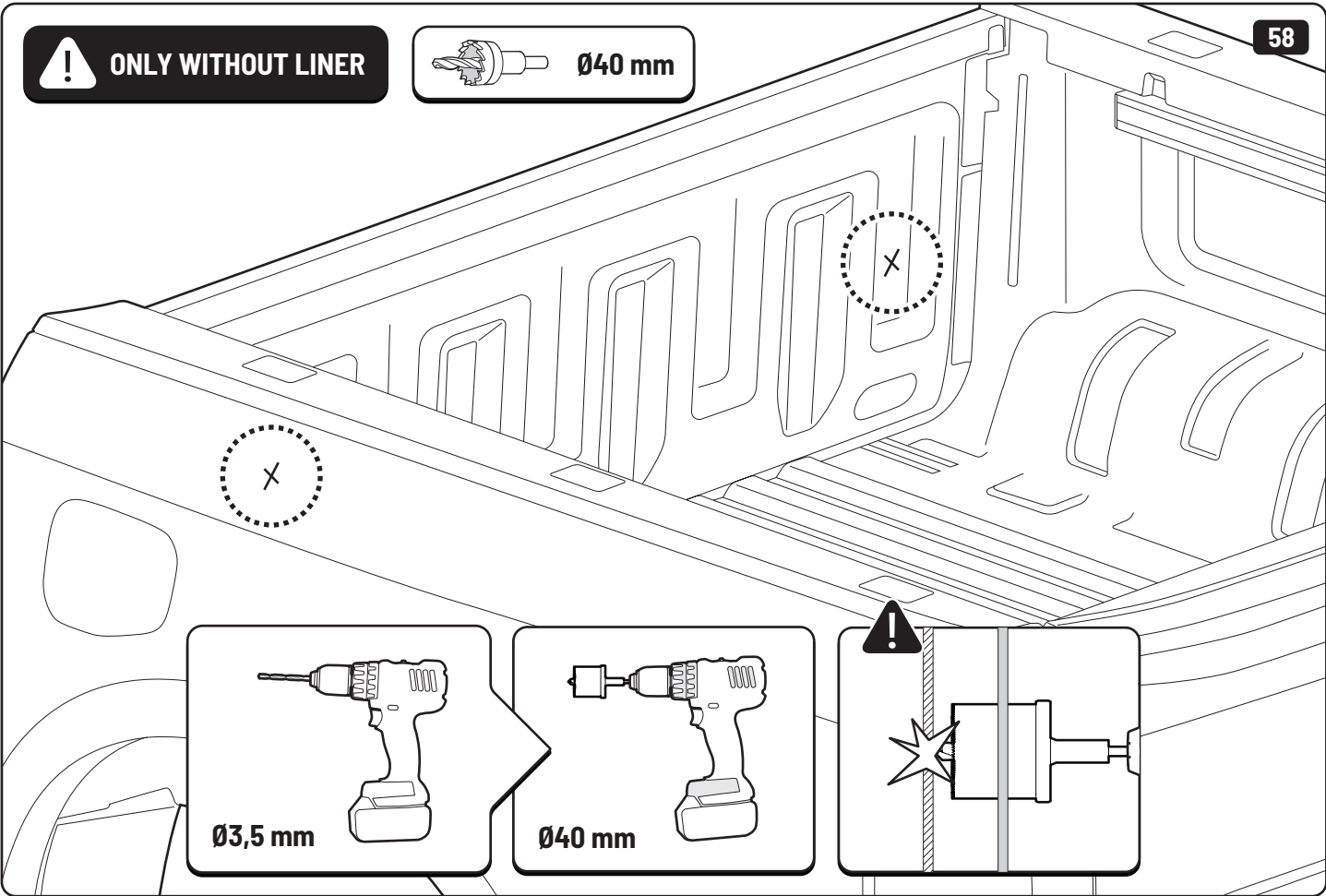
! ONLY WITHOUT LINER

! OTHER MODELS

Double Cab: X = 580 mm Y = 290 mm
Rap Cab: X = 580 mm Y = 320 mm

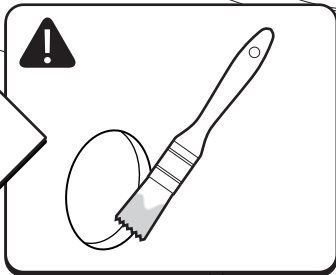
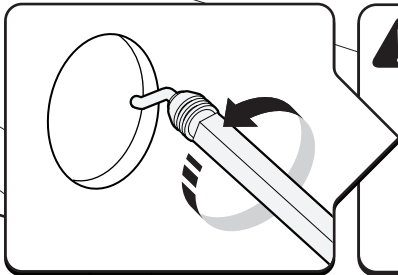
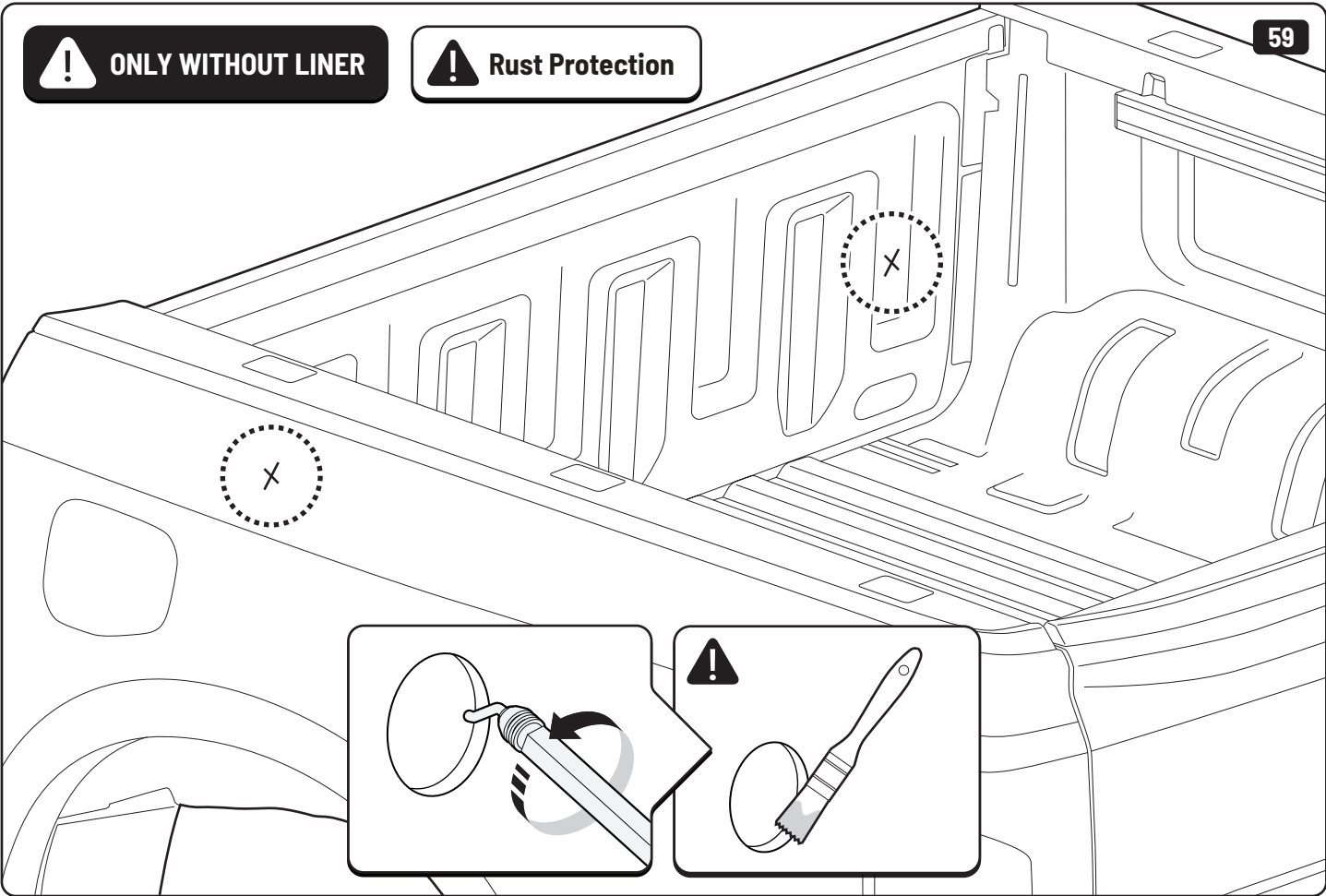


! ONLY WITHOUT LINER

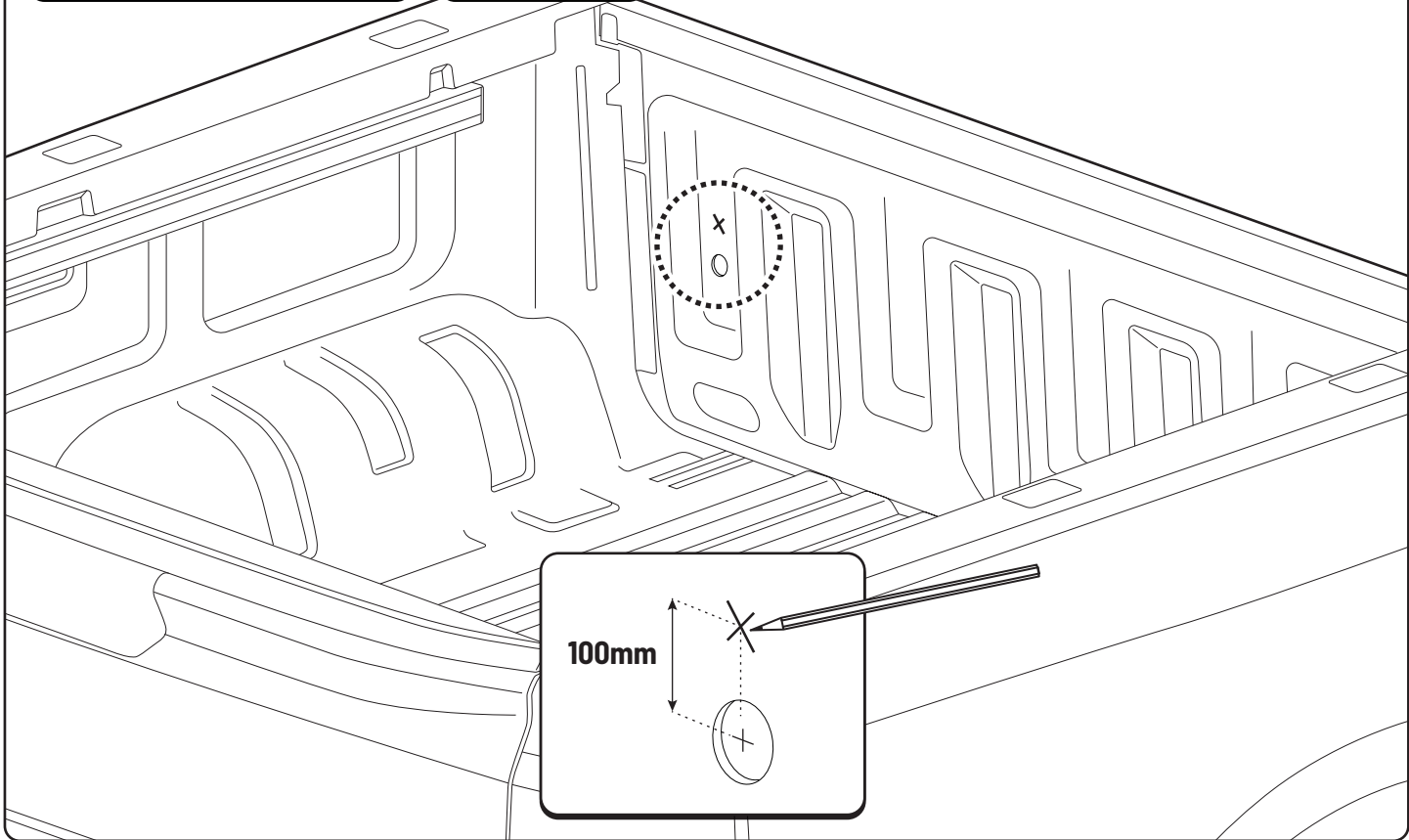


! ONLY WITHOUT LINER

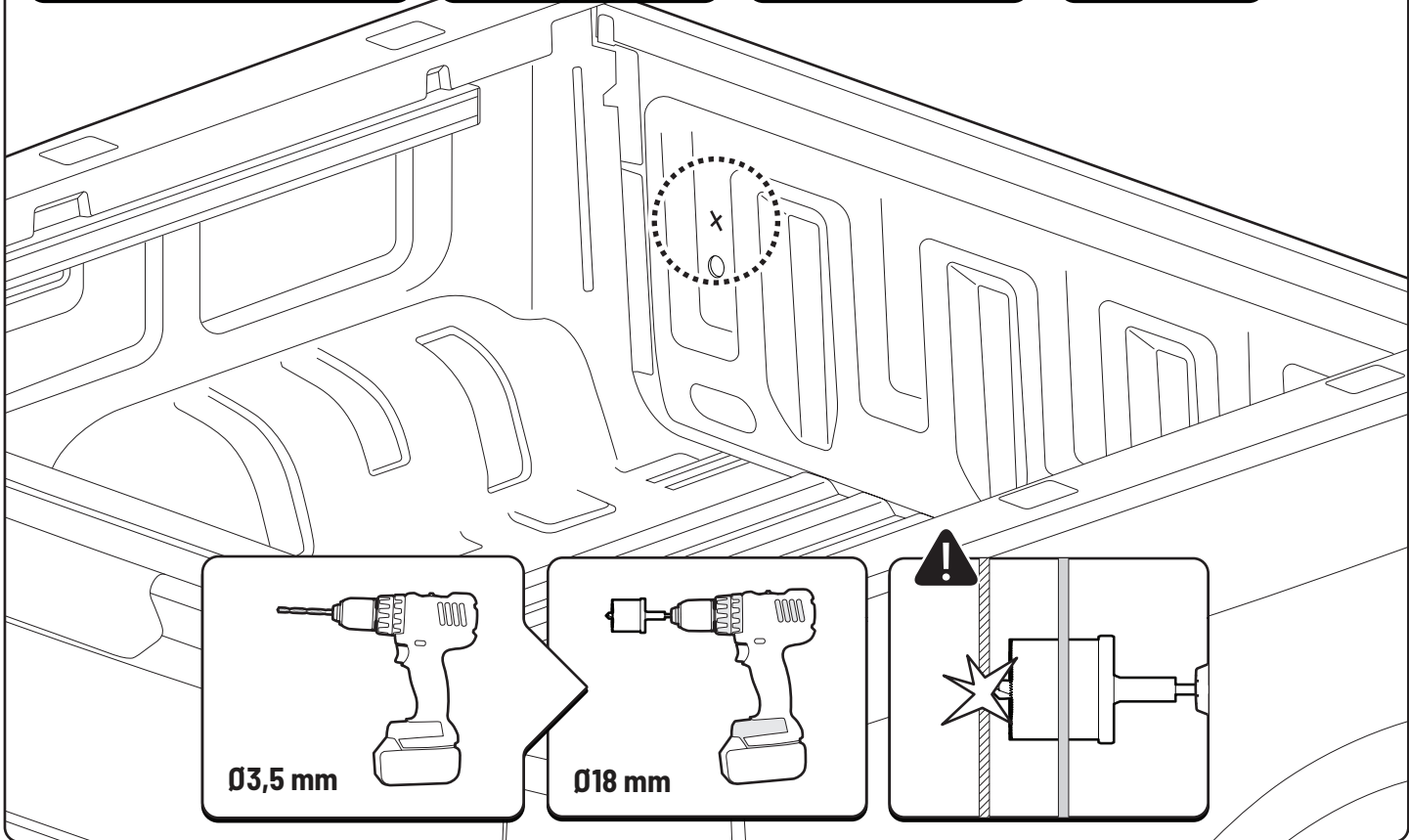
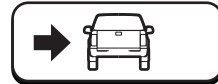
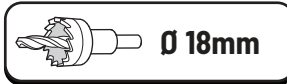
! Rust Protection



! ONLY WITHOUT LINER



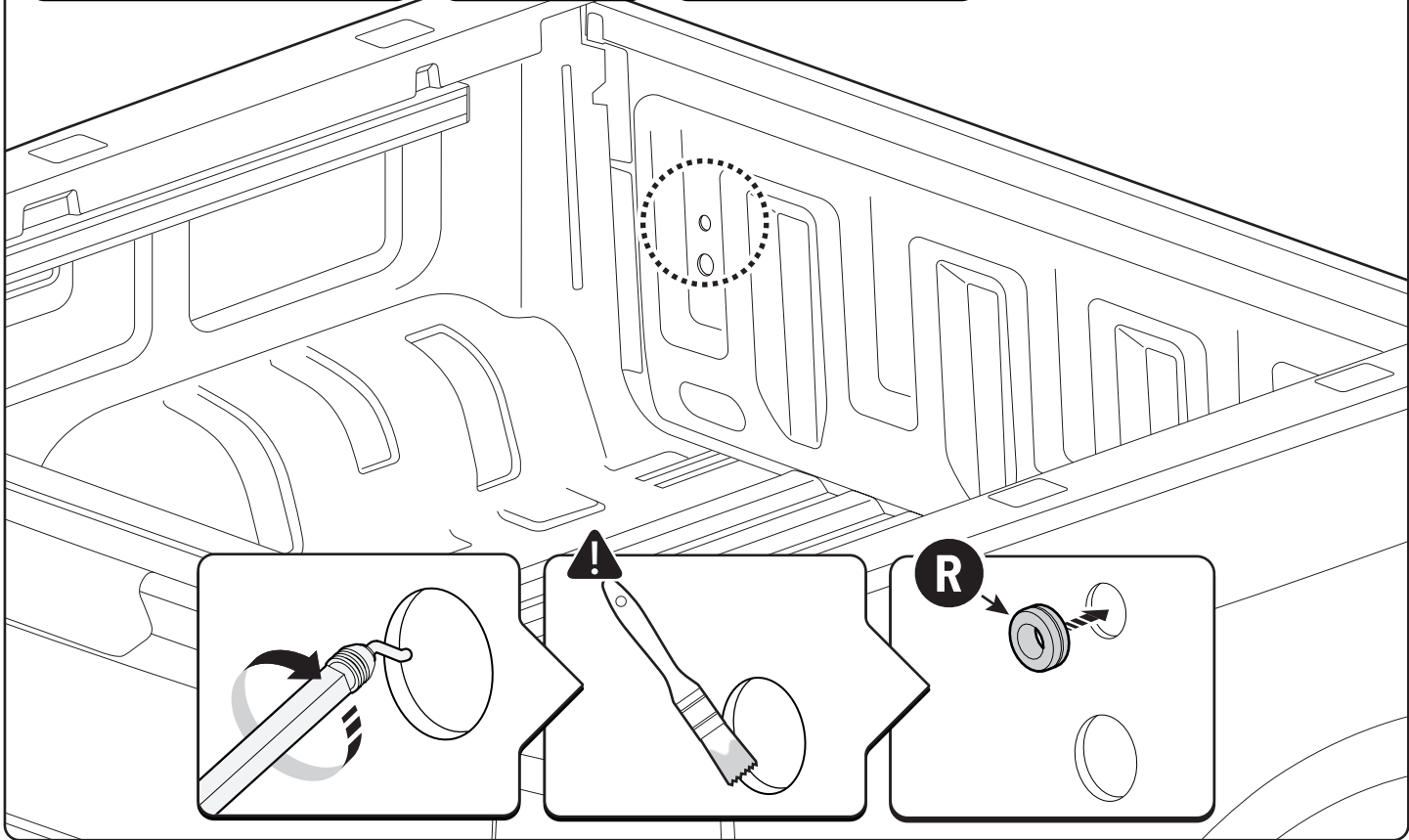
! ONLY WITHOUT LINER



! ONLY WITHOUT LINER

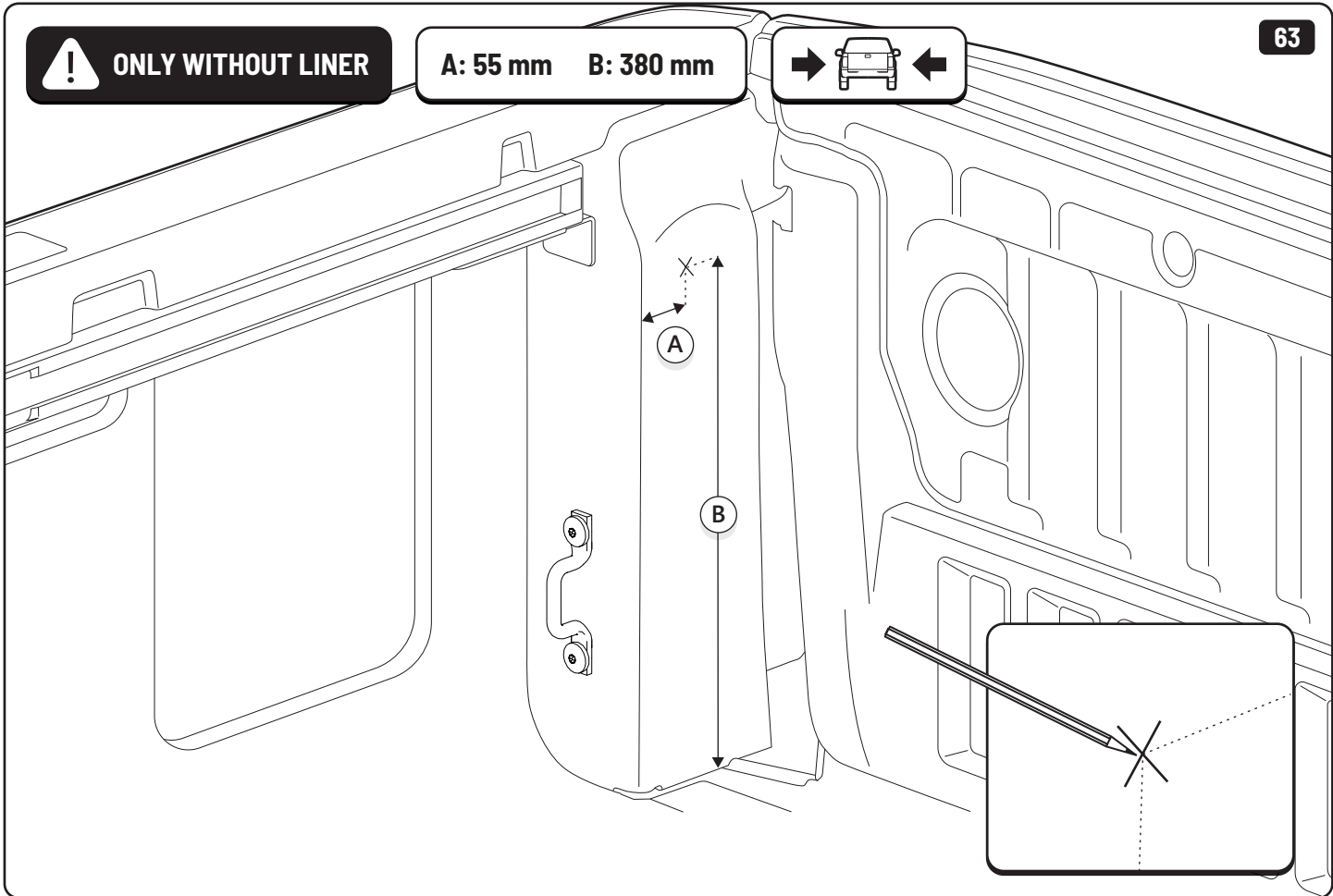


! Rust Protection

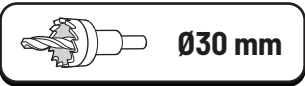


! ONLY WITHOUT LINER

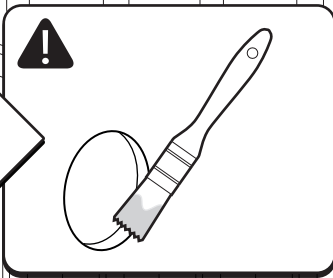
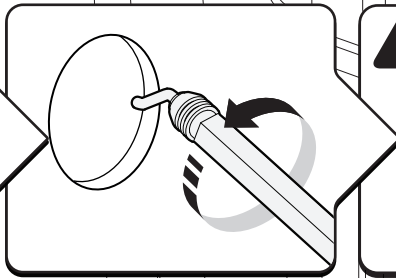
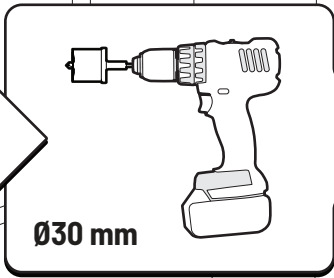
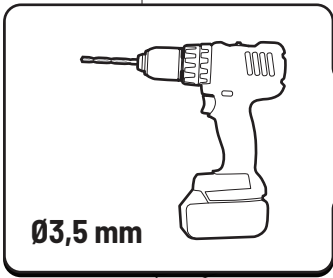
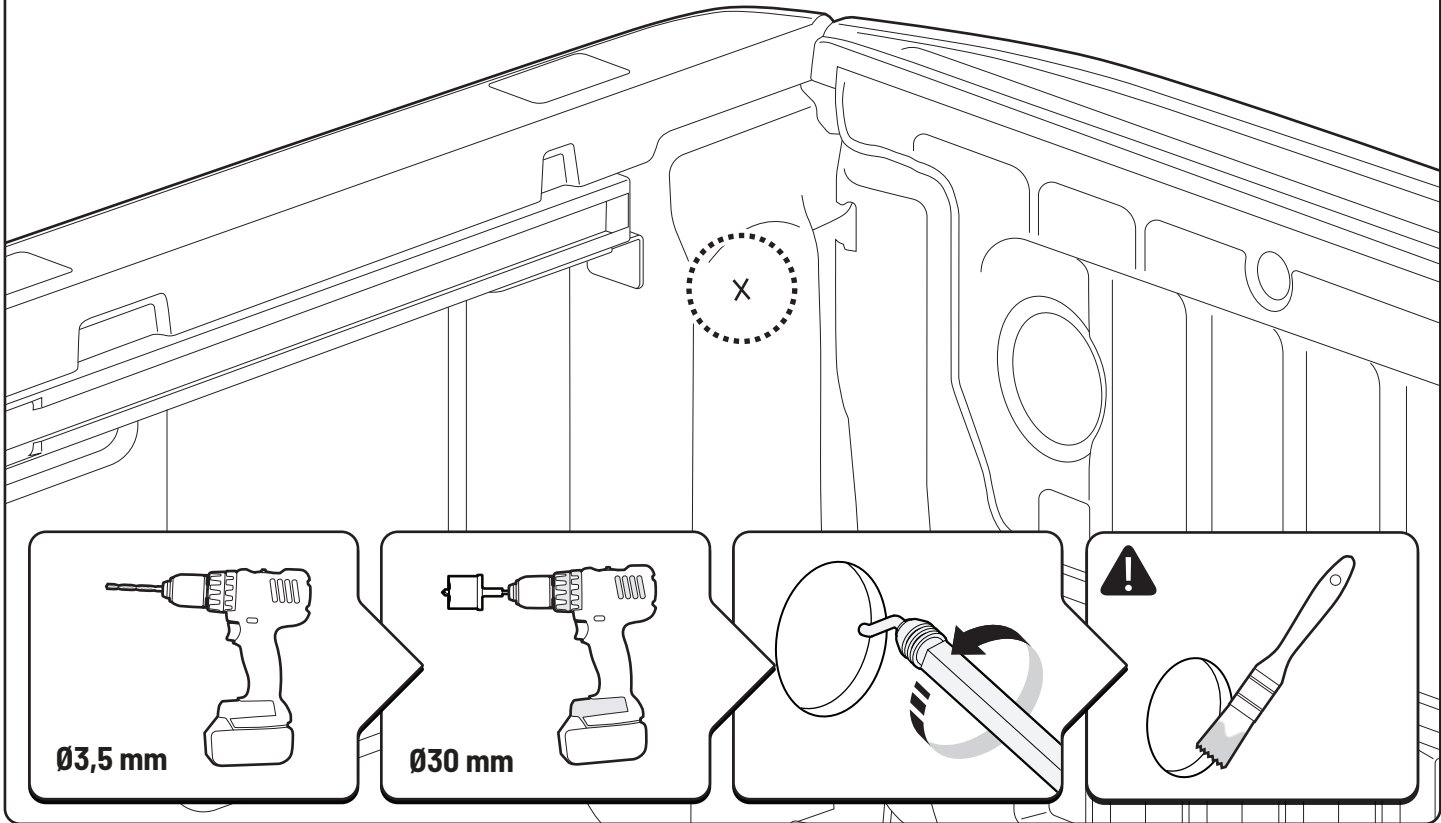
A: 55 mm B: 380 mm

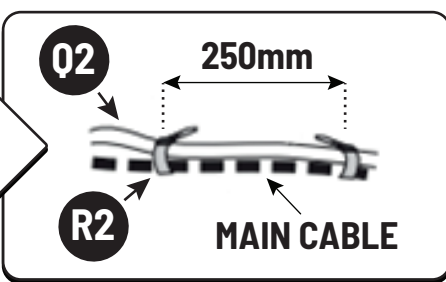
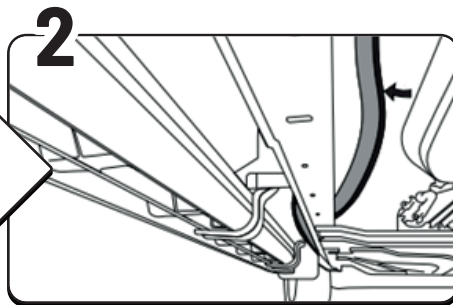
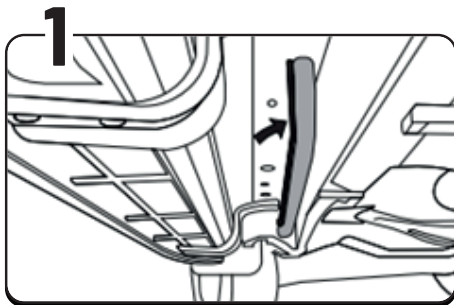
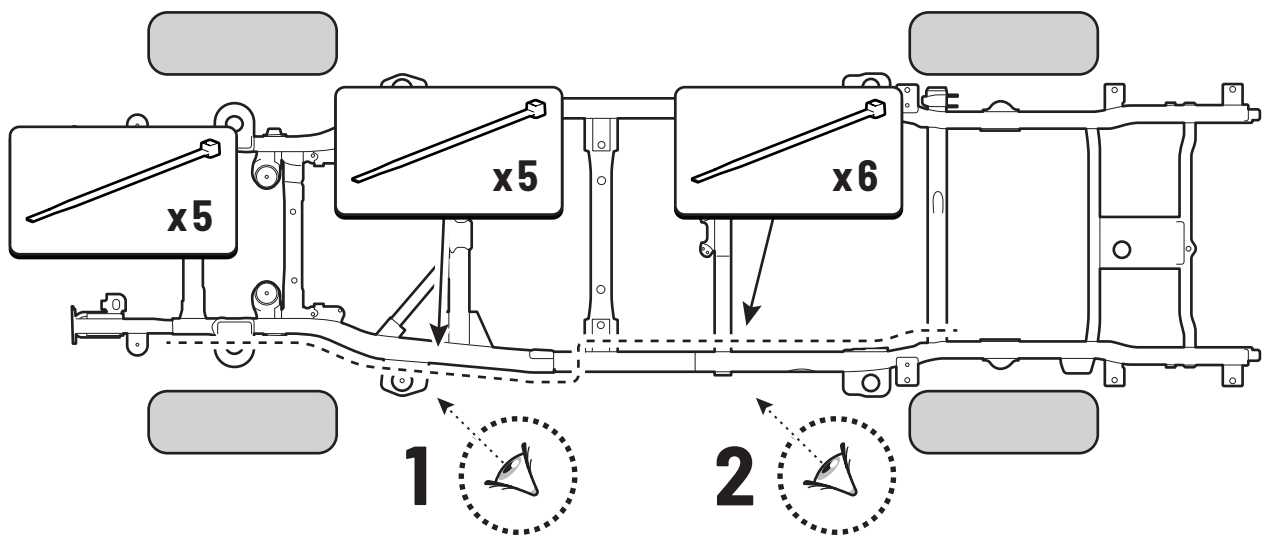
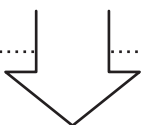
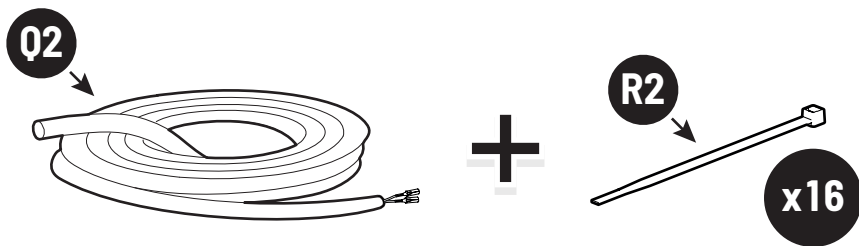
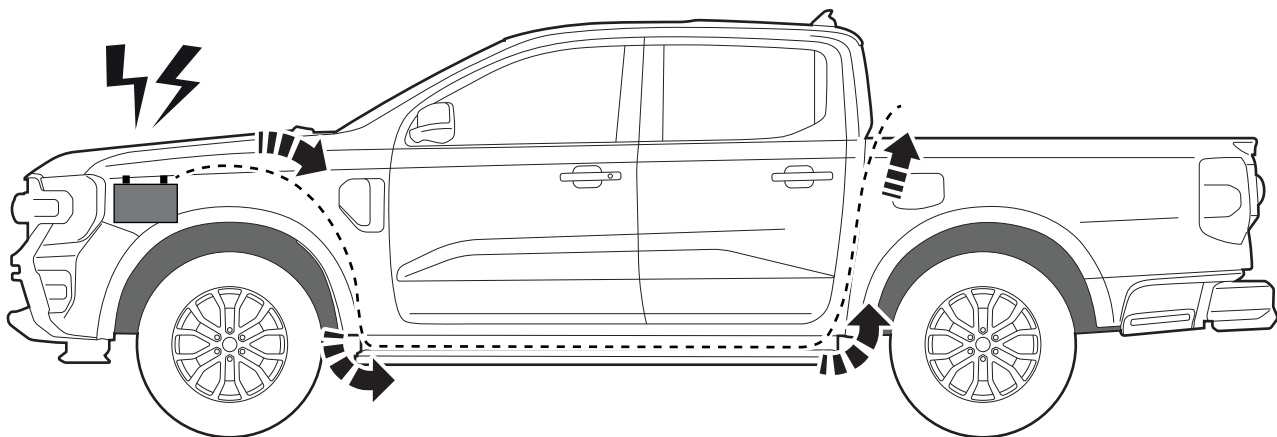


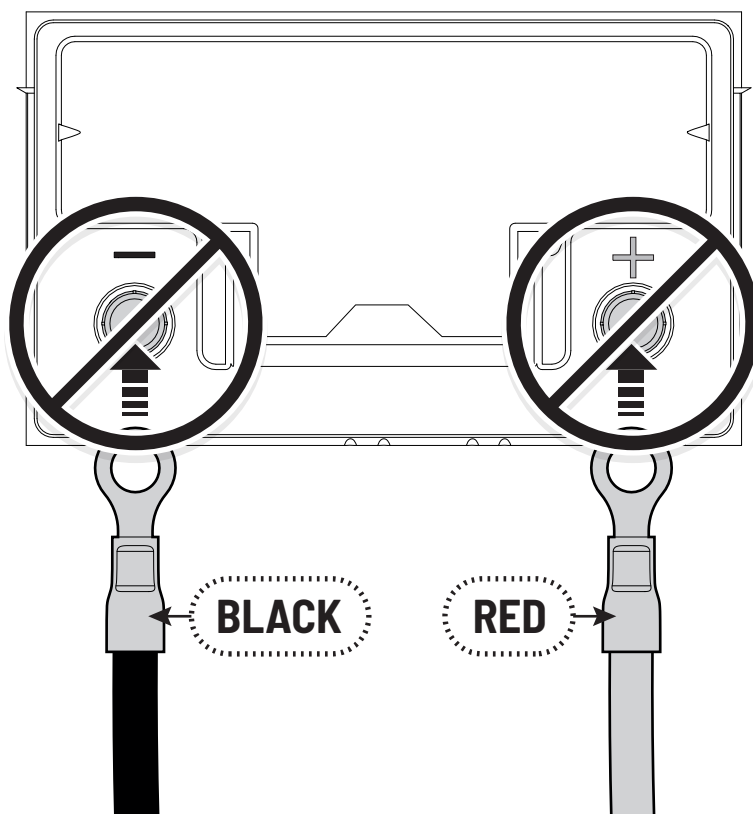
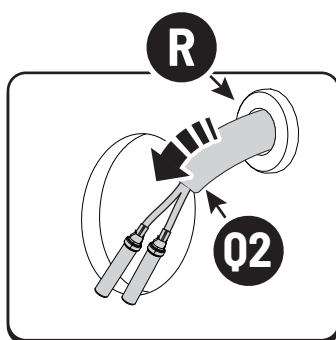
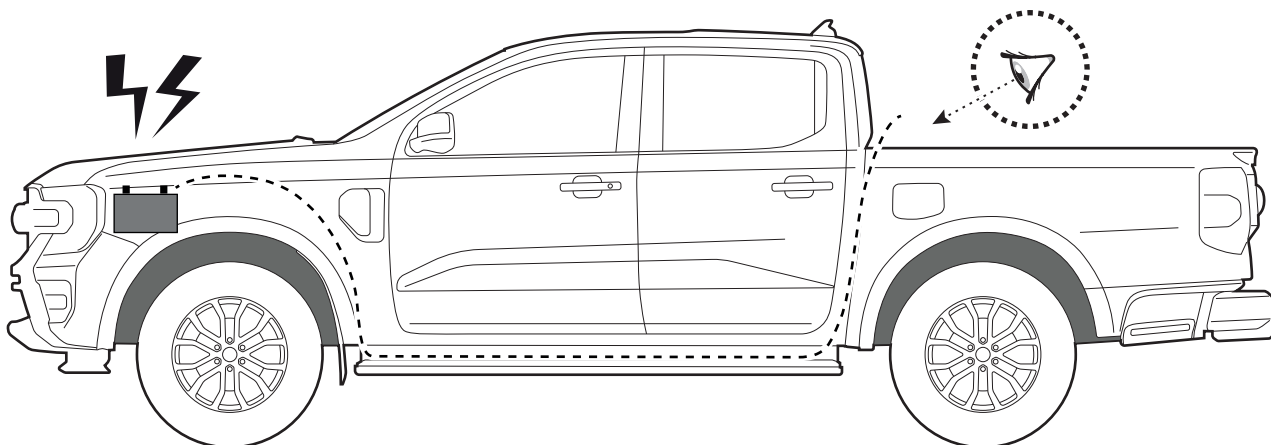
! ONLY WITHOUT LINER

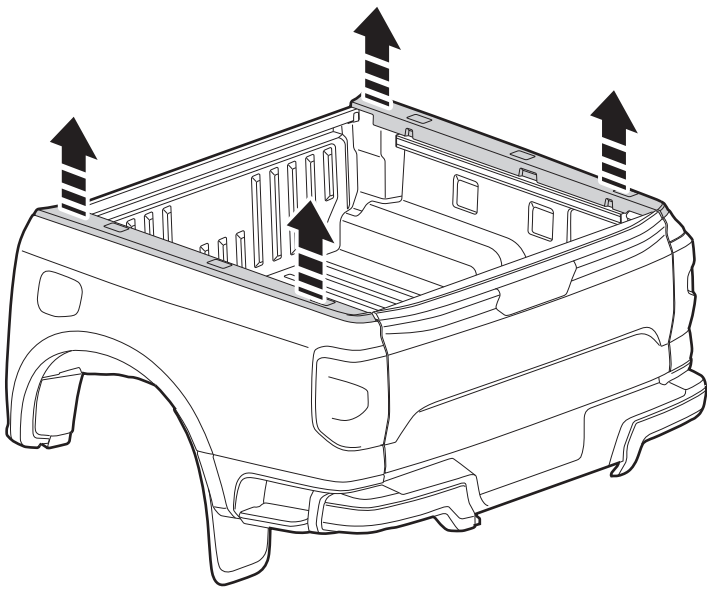


! Rust Protection

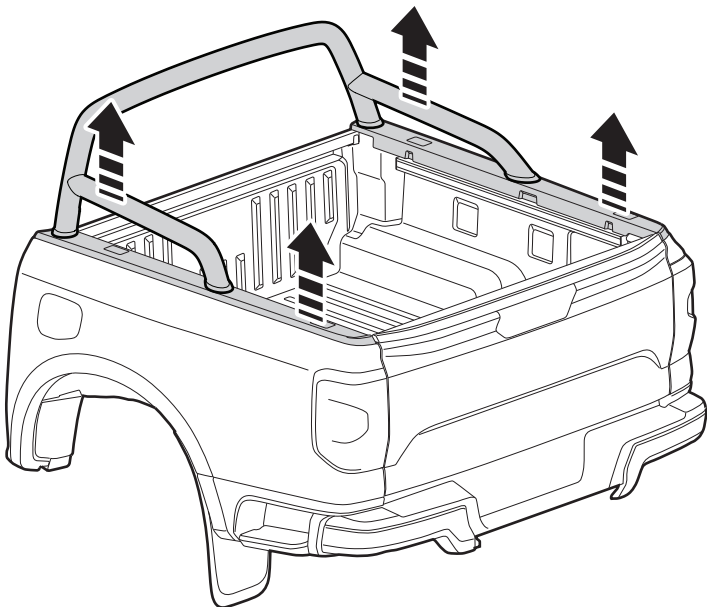




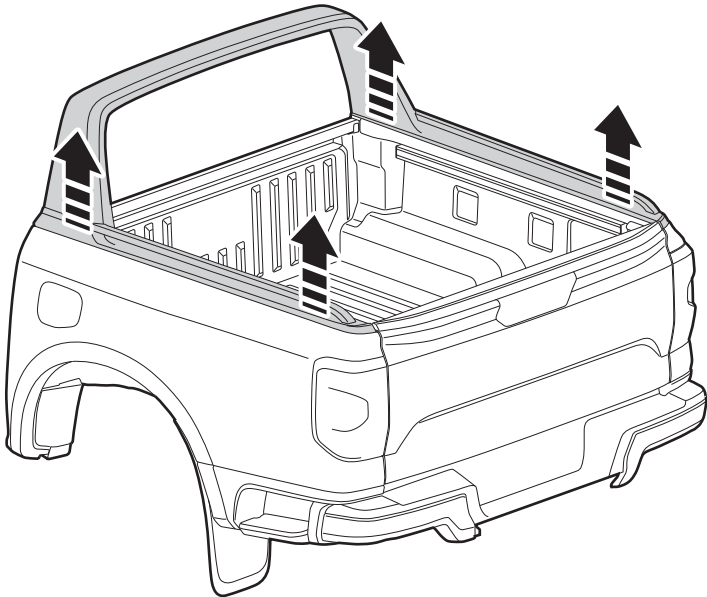




Ford XLT / Raptor



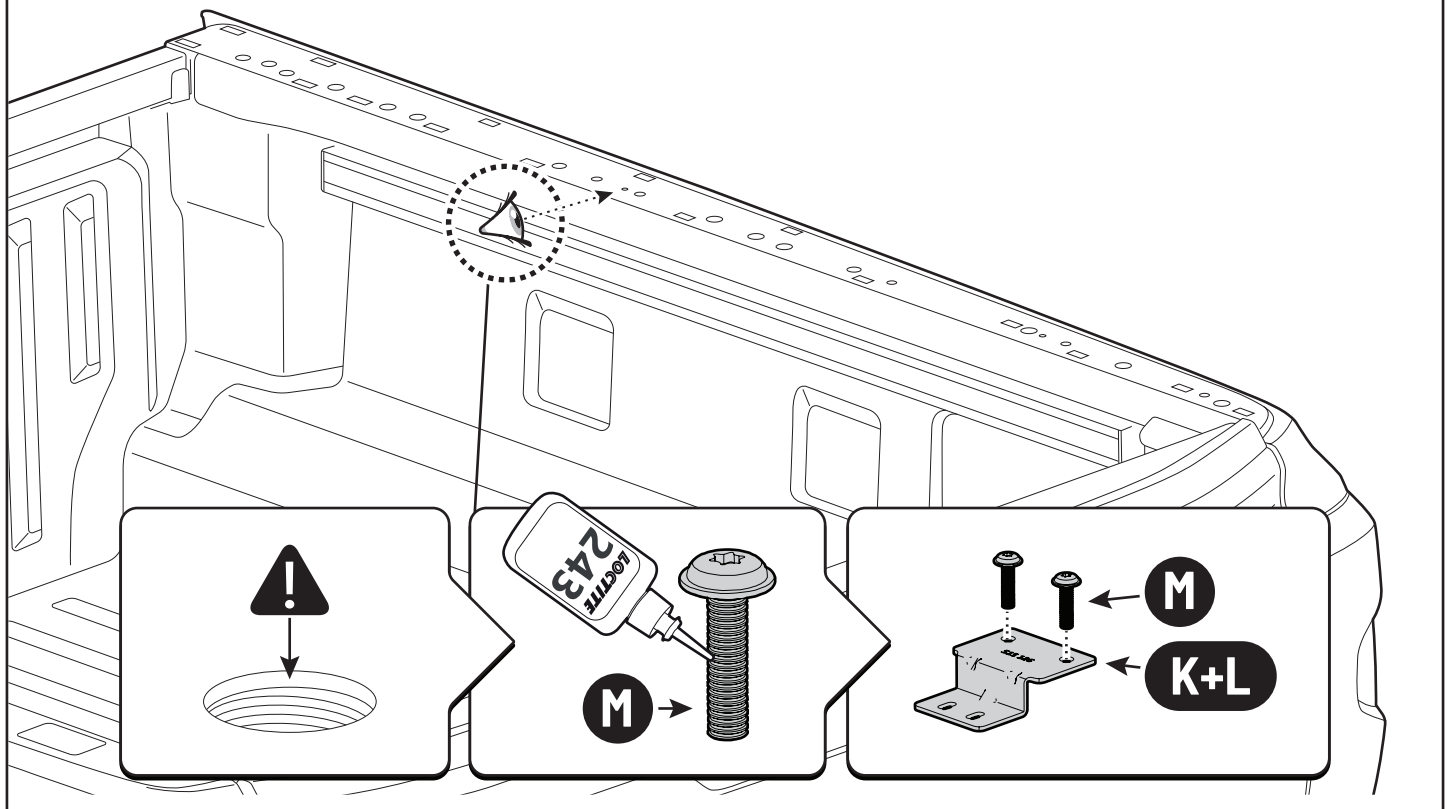
Ford XLT / Raptor



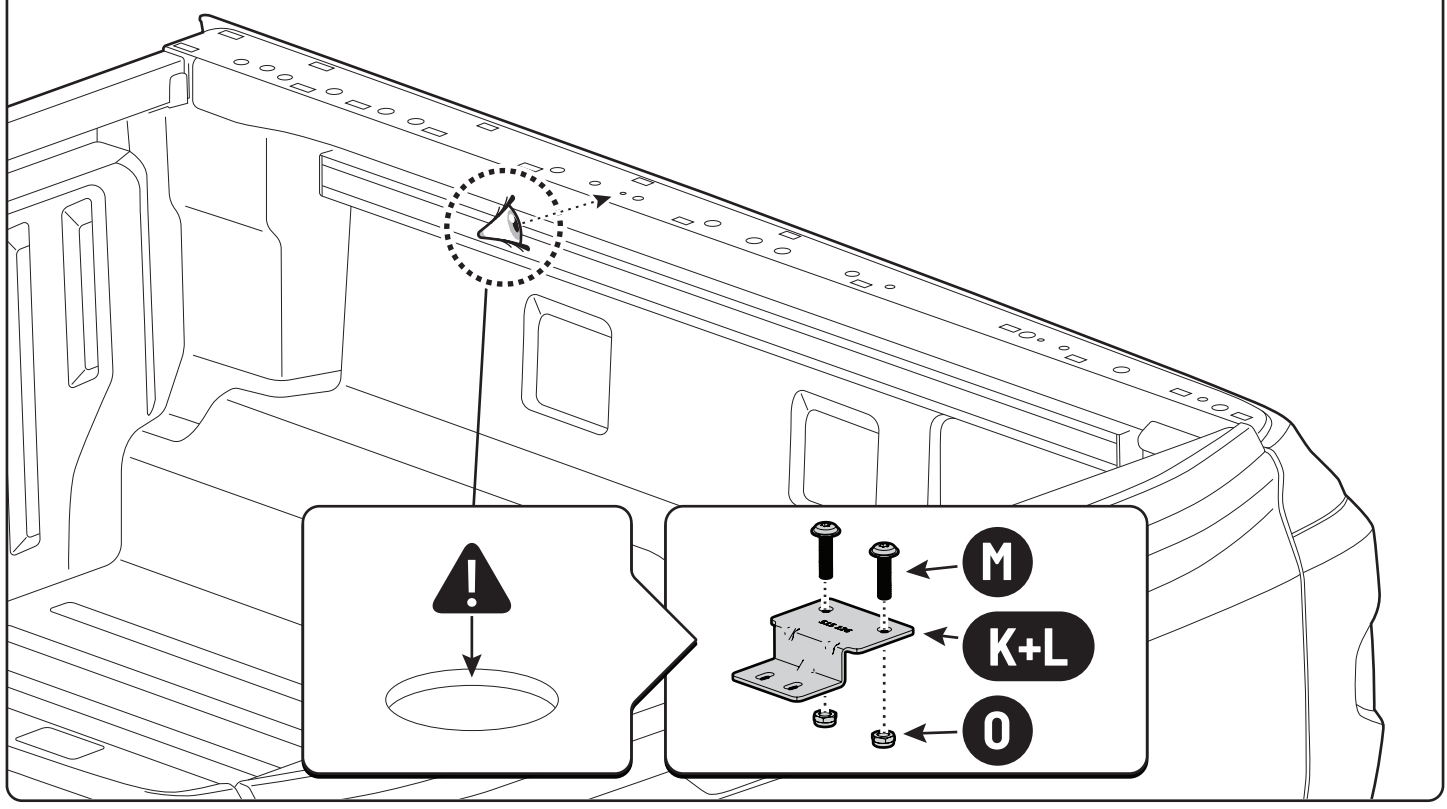
Ford Wildtrak

! ONLY FOR THREADED HOLES

LOCTITE 243

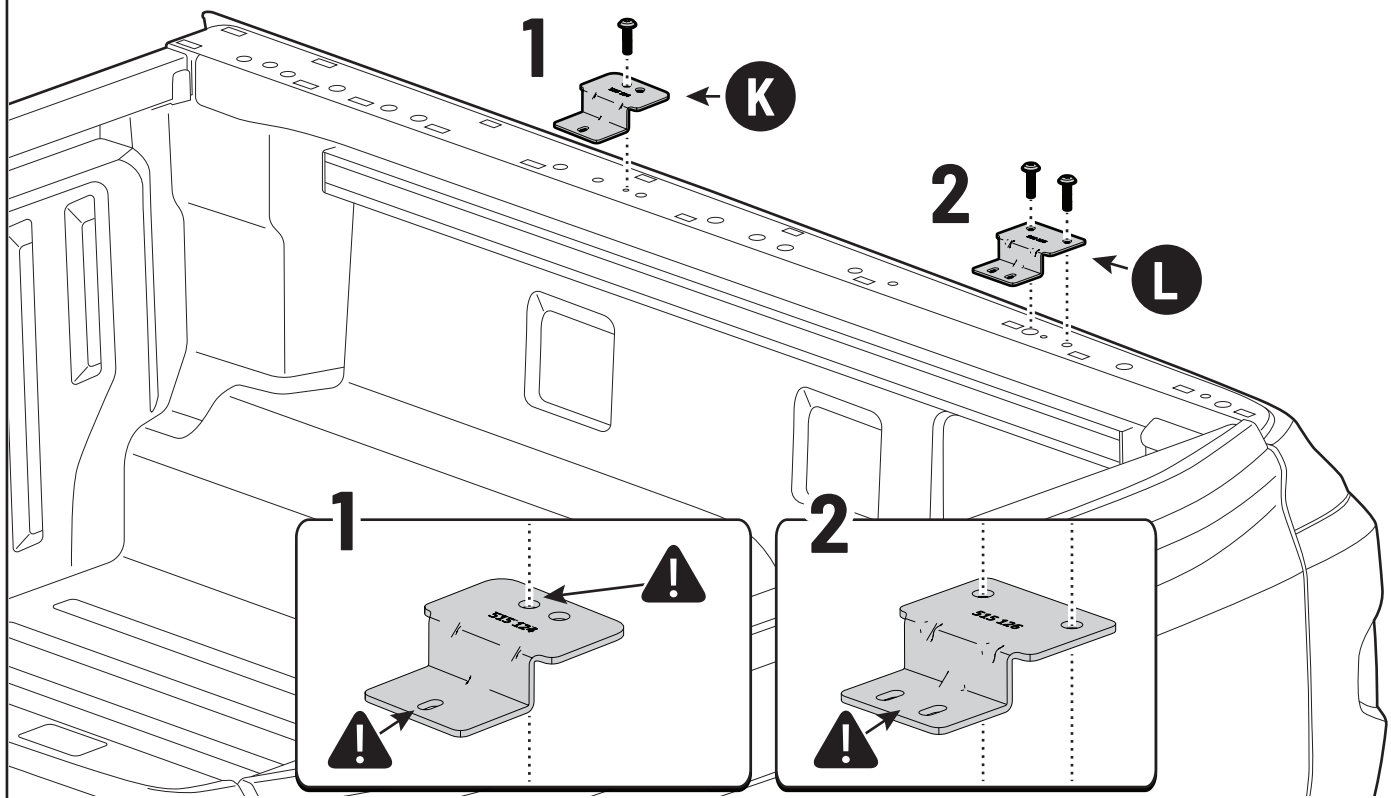
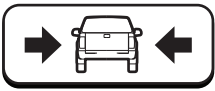


! ONLY FOR NON-THREADED HOLES



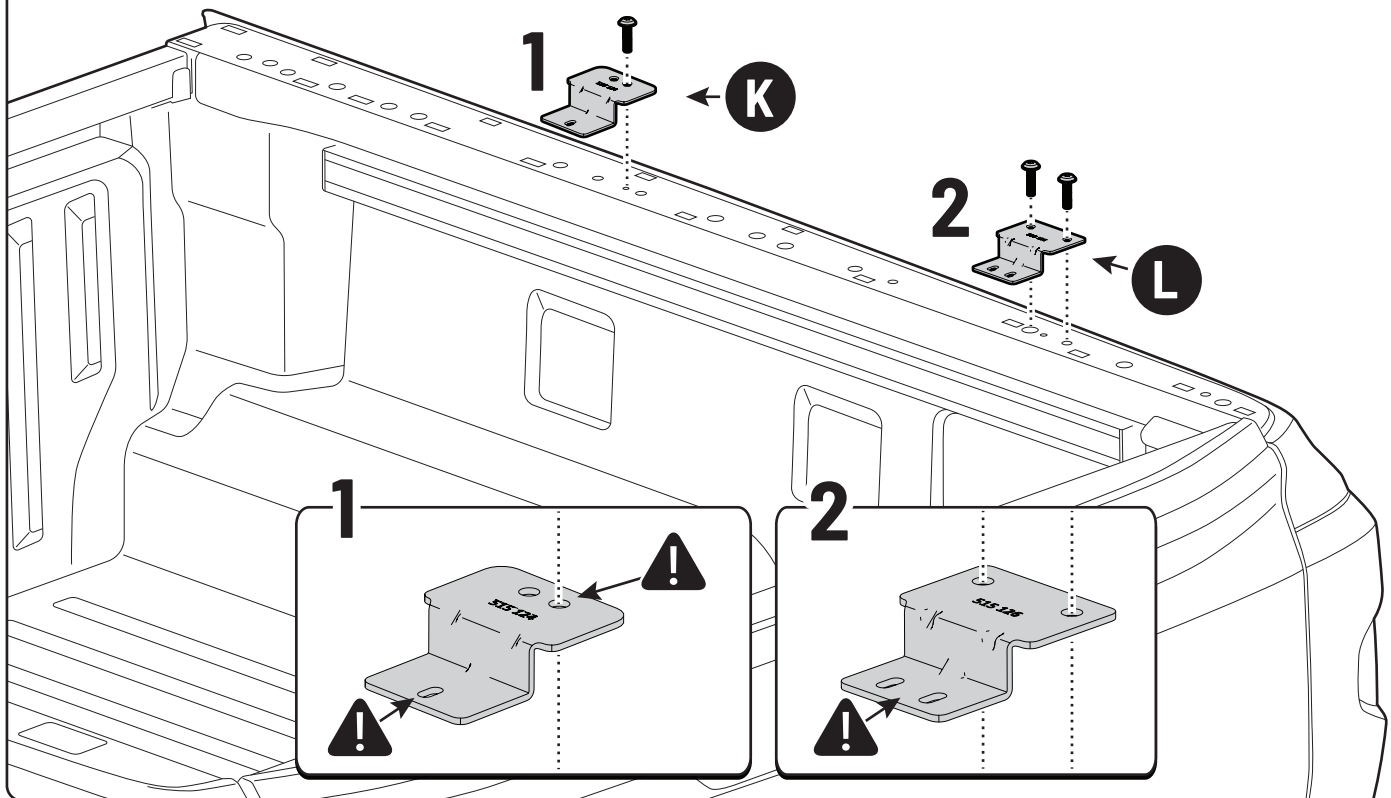
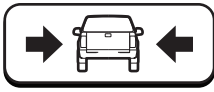
! FORD XLT / RAPTOR - DOUBLE CAB

T45 13 mm 25 Nm



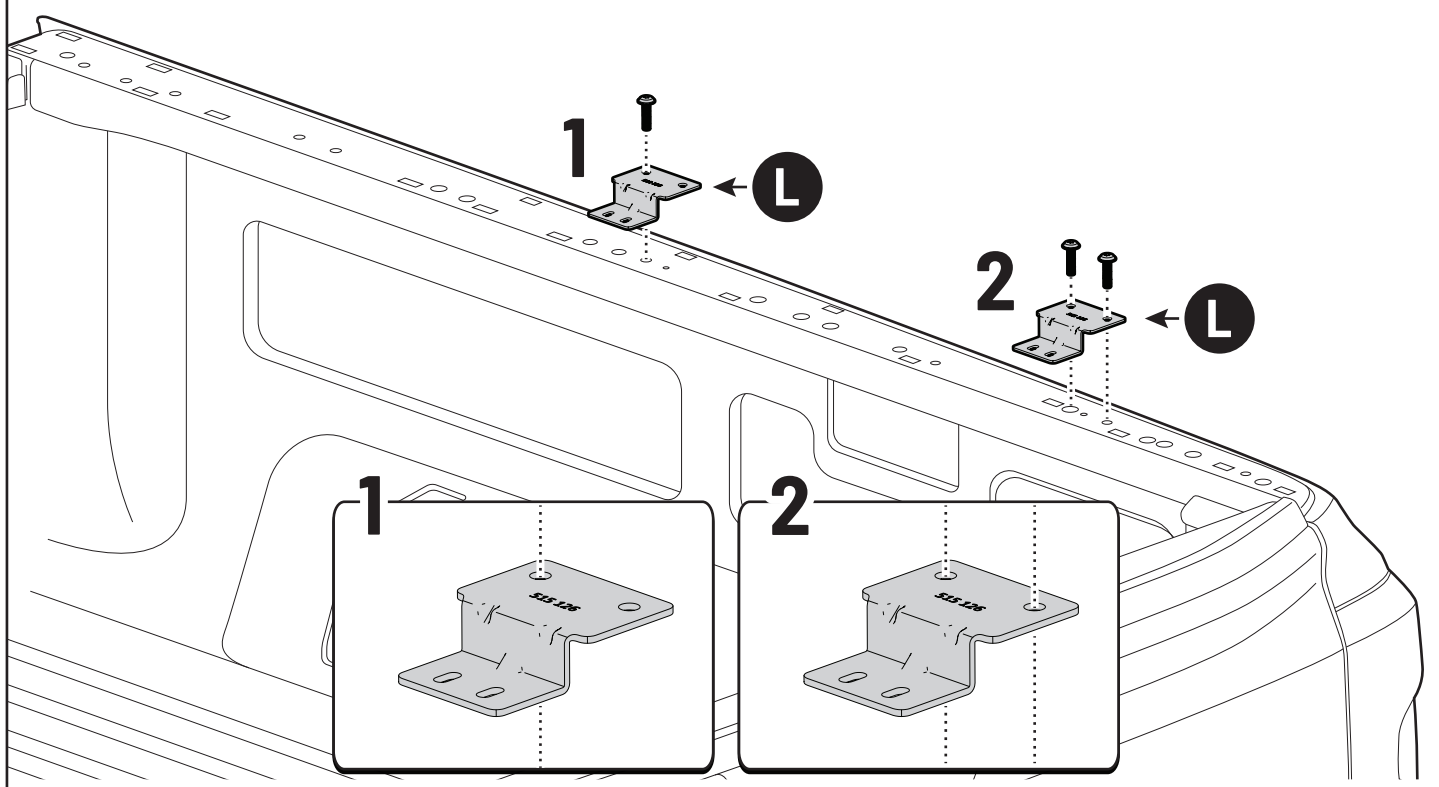
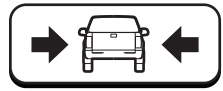
! FORD WILDTRAK - DOUBLE CAB

T45 13 mm 25 Nm



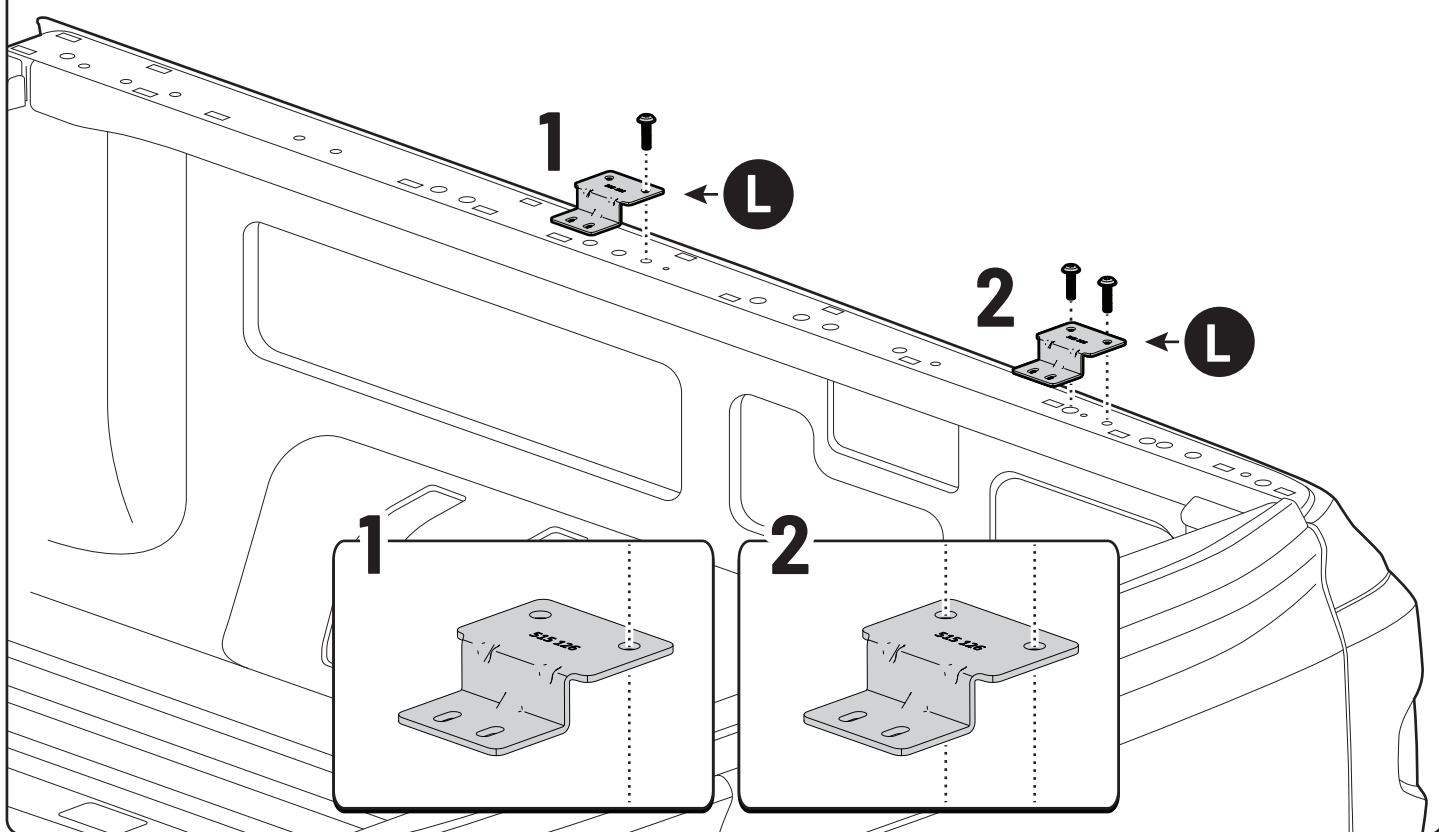
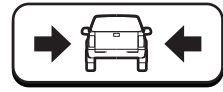
! WITH SPORTS BAR ACCESSORY - RAP CAB

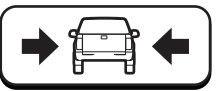
T45 13 mm 25 Nm



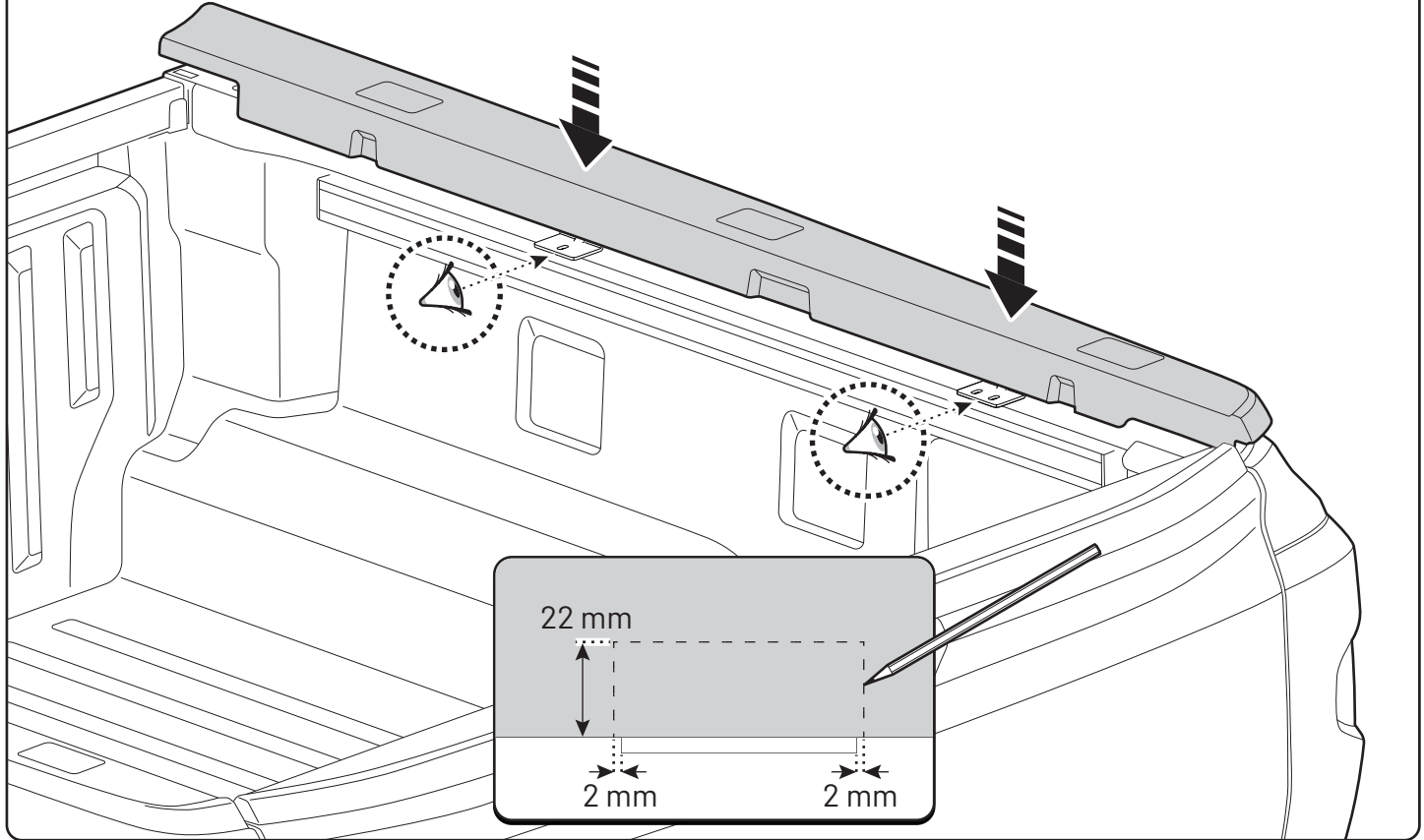
! WITHOUT SPORTS BAR ACCESSORY - RAP CAB

T45 13 mm 25 Nm

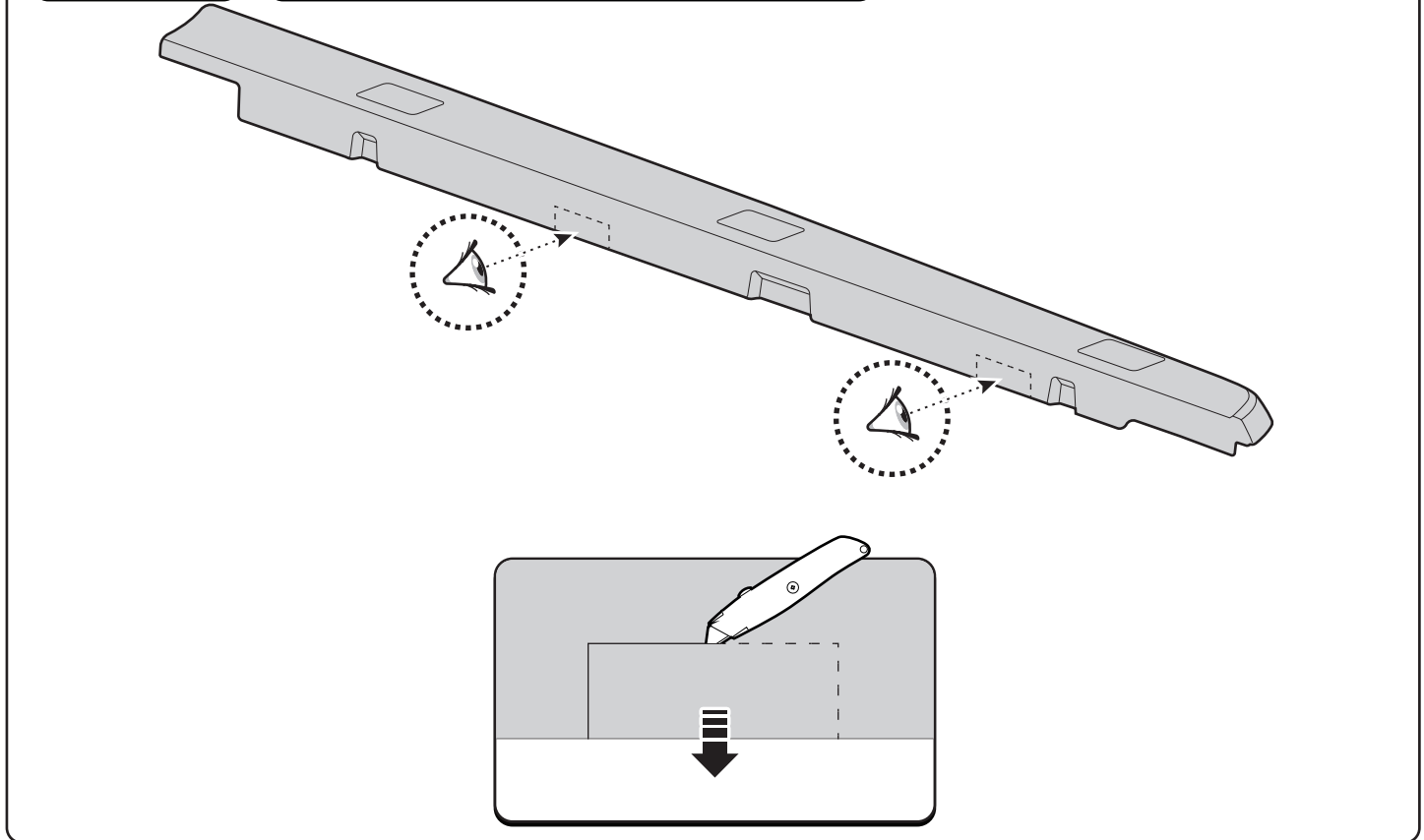


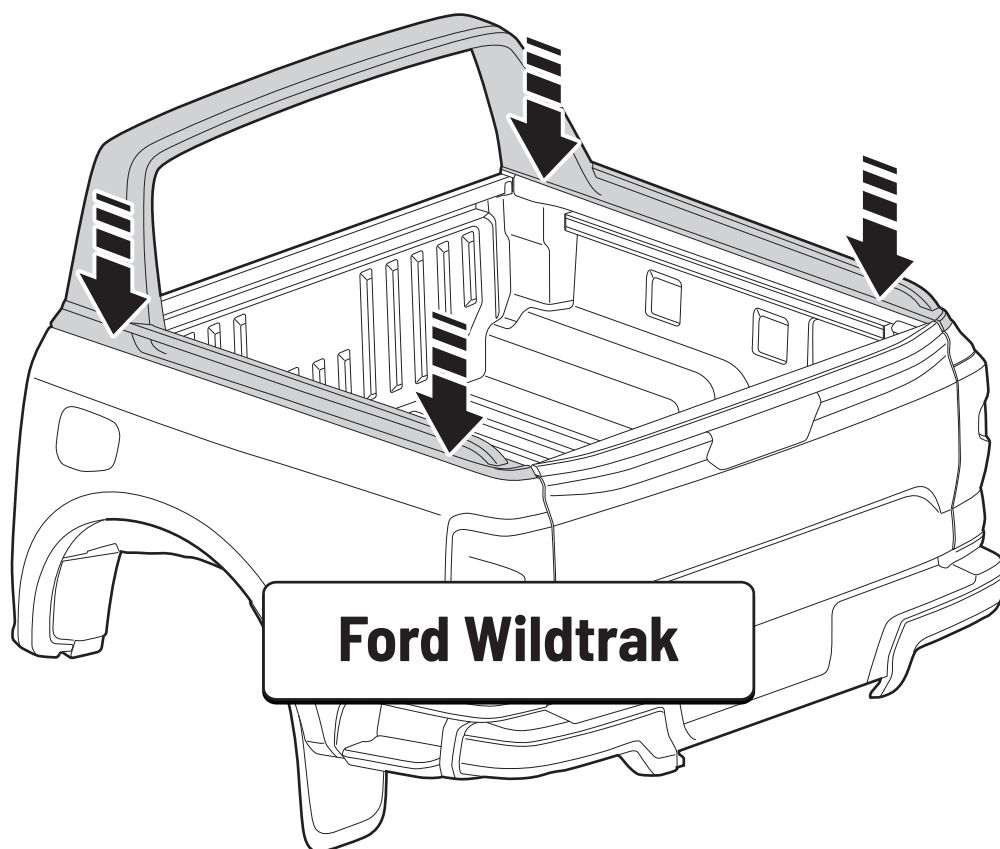
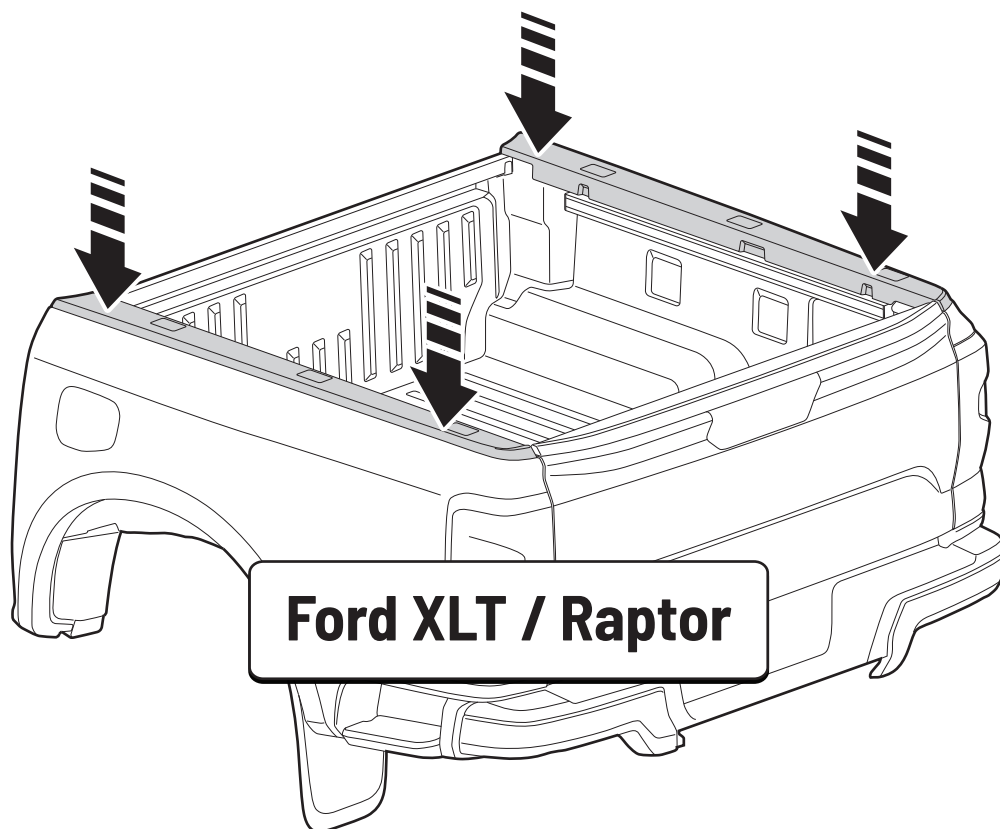


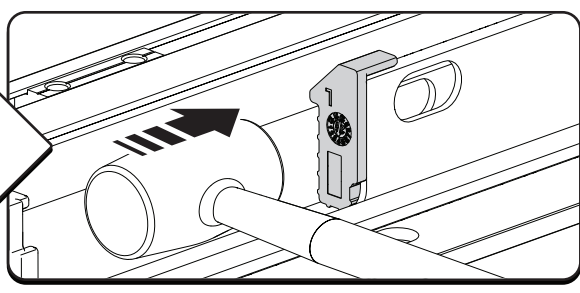
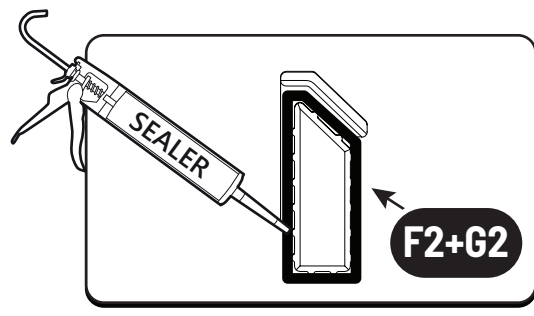
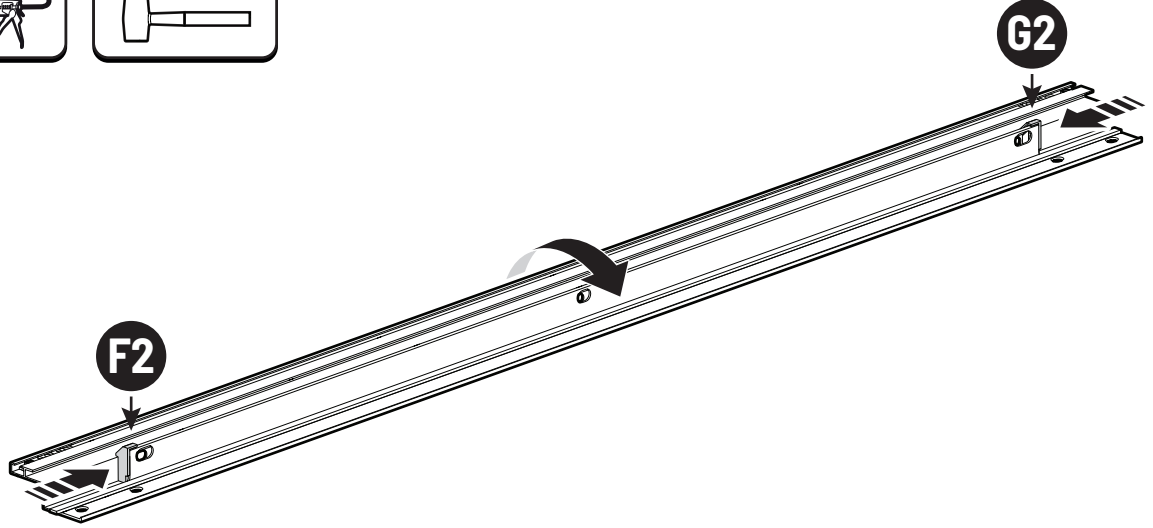
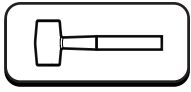
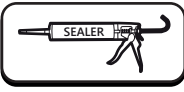
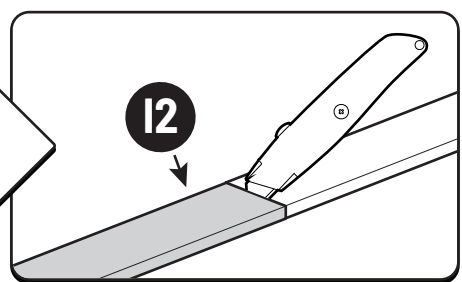
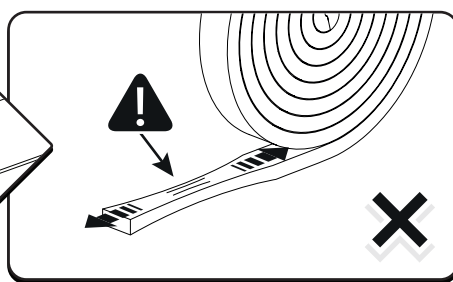
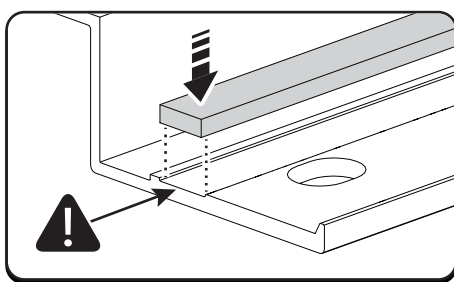
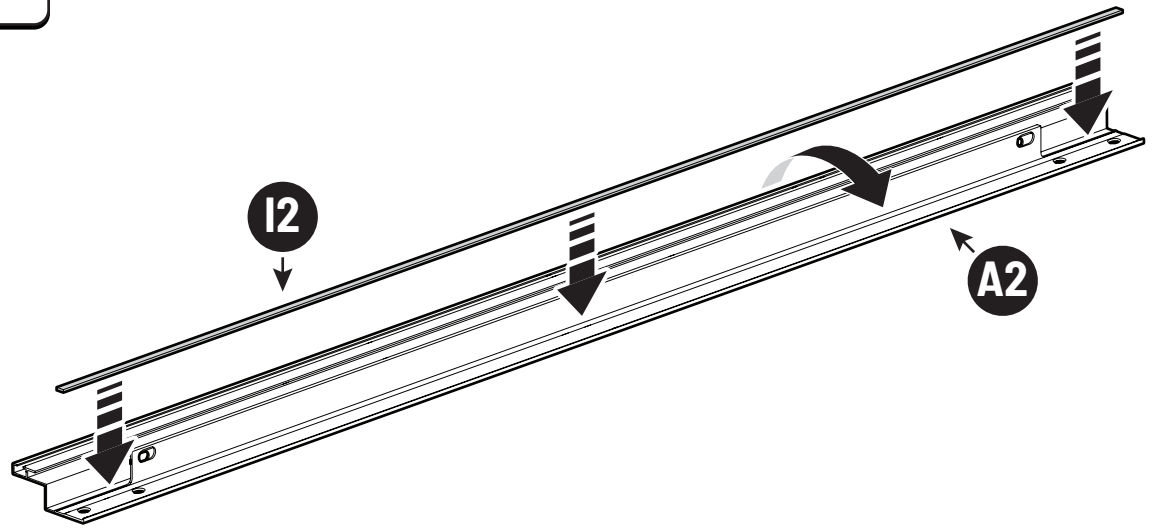
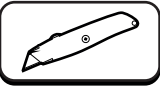
! ONLY FOR FORD RANGER XLT / RAPTOR

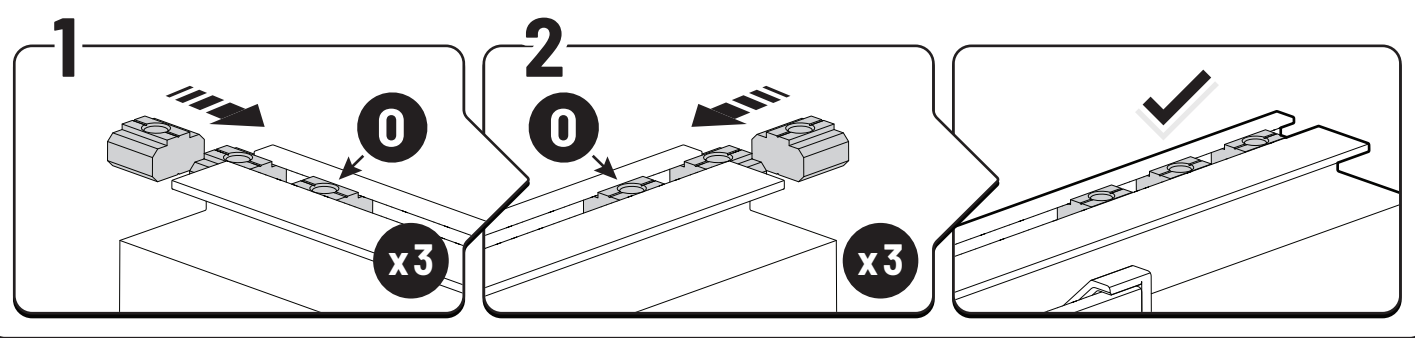
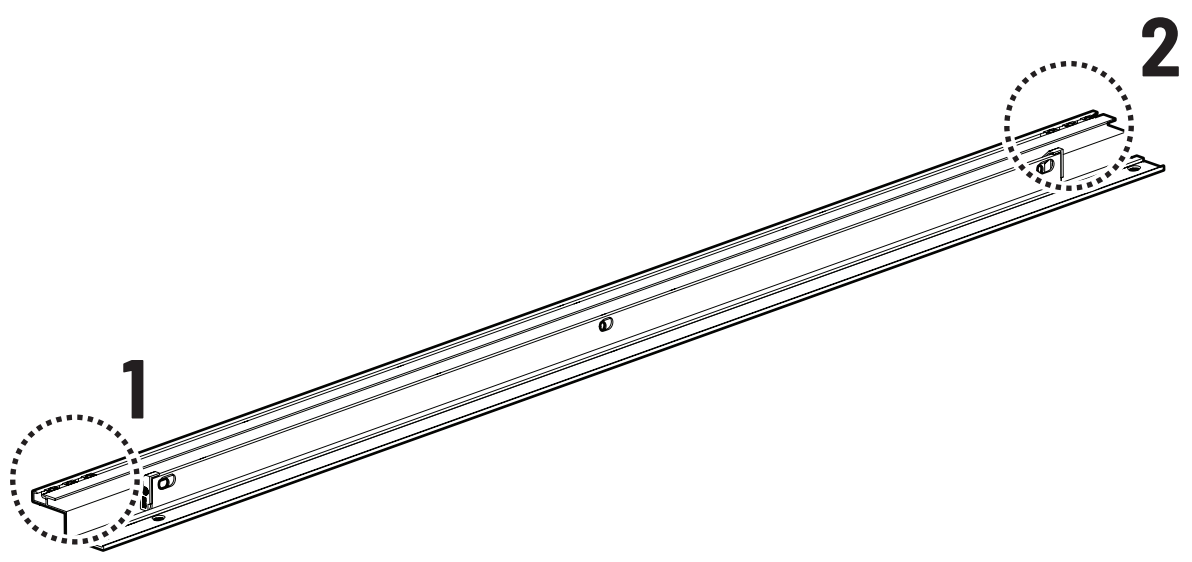


! ONLY FOR FORD RANGER XLT / RAPTOR

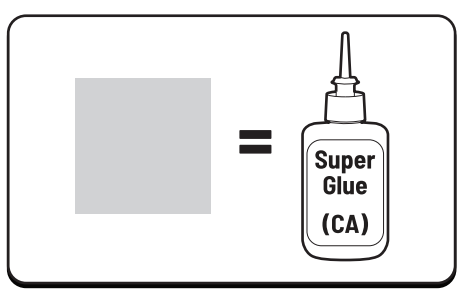
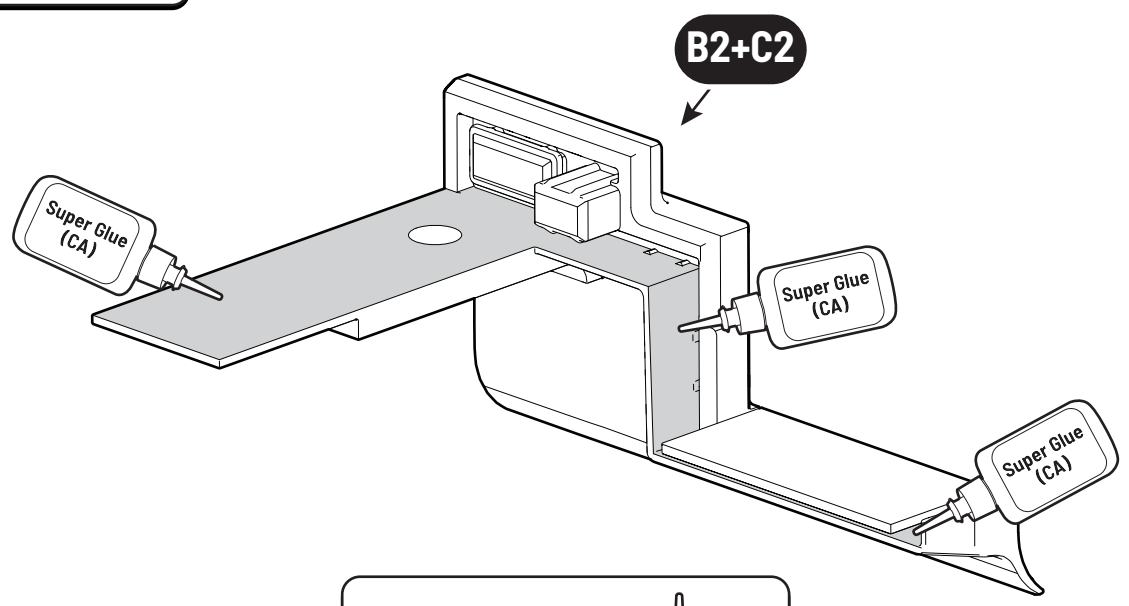








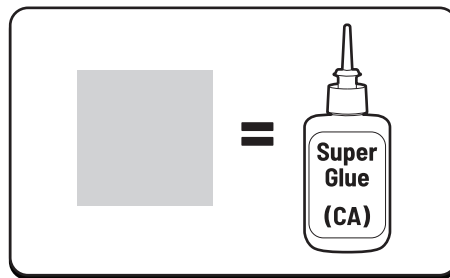
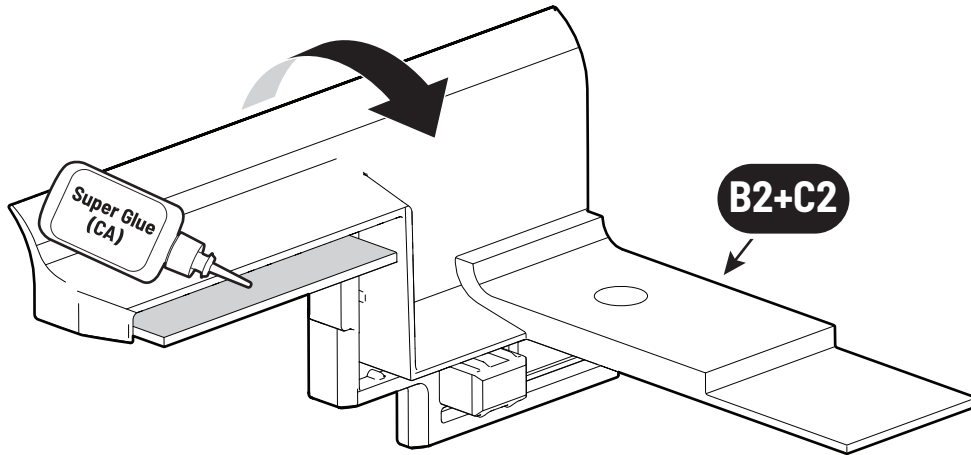
 **Super Glue (CA)**



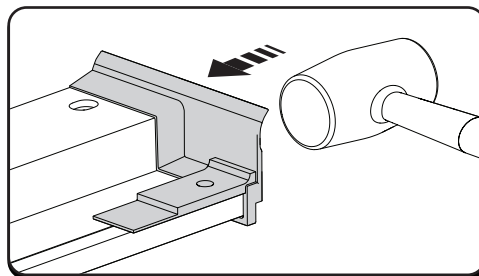
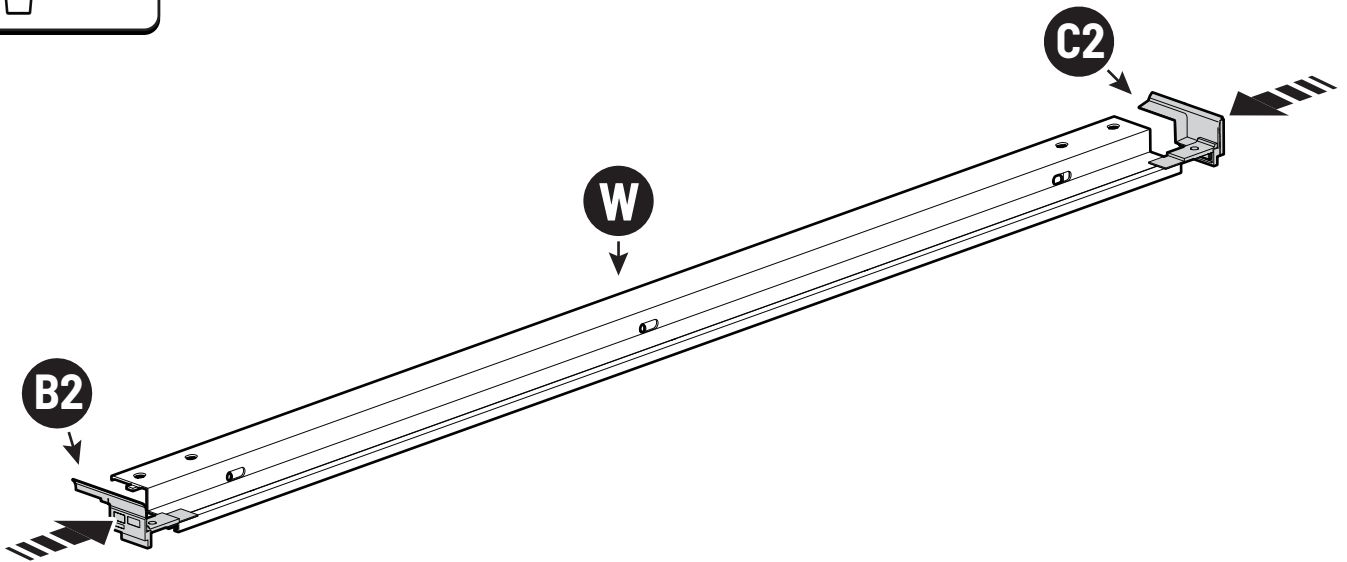


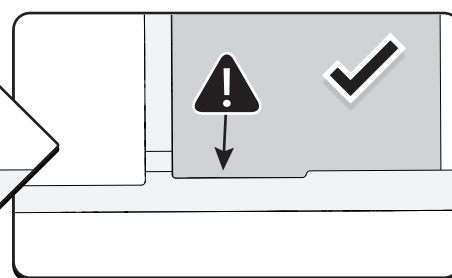
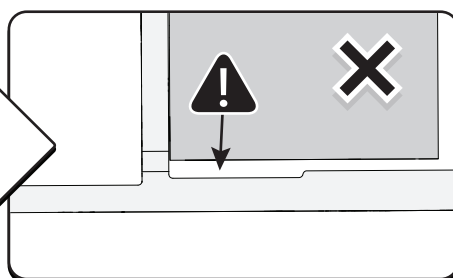
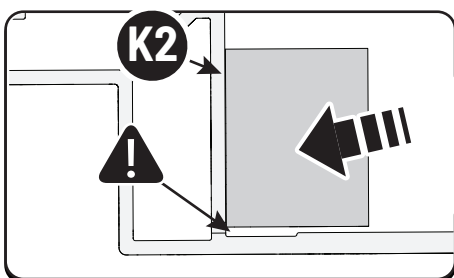
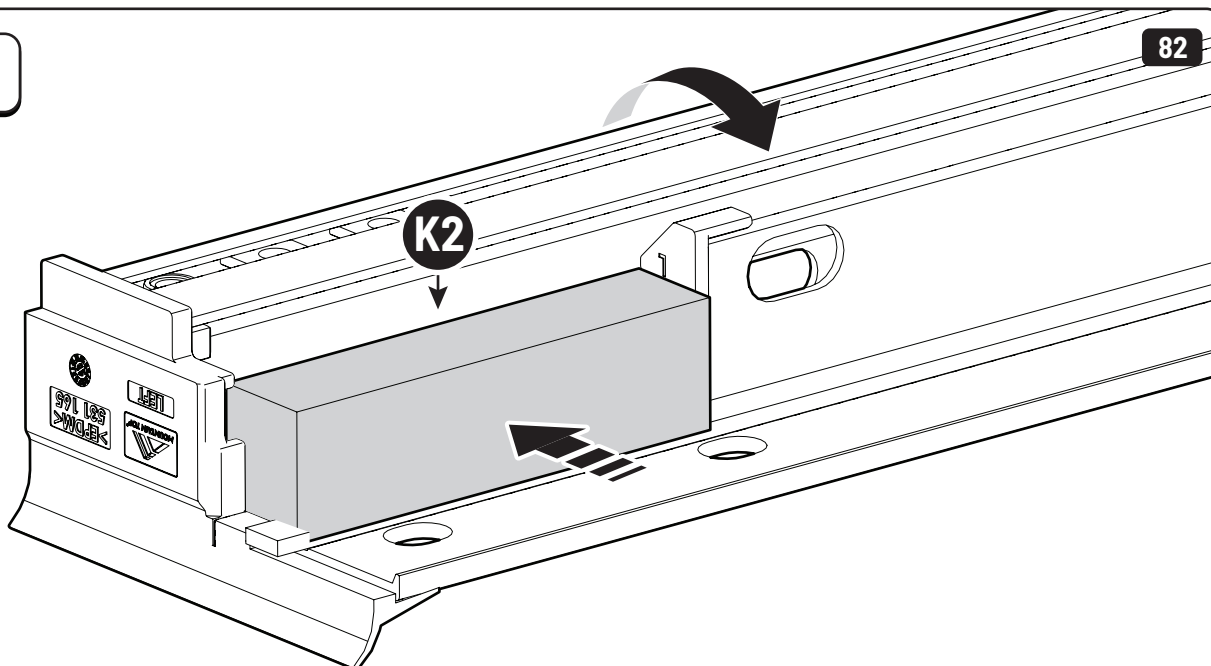
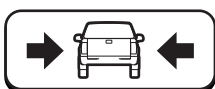
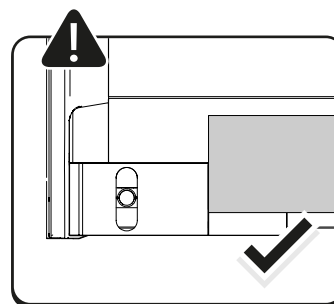
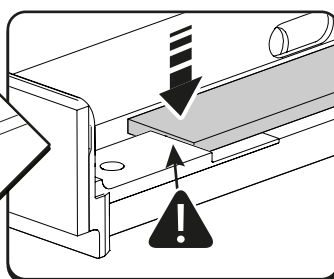
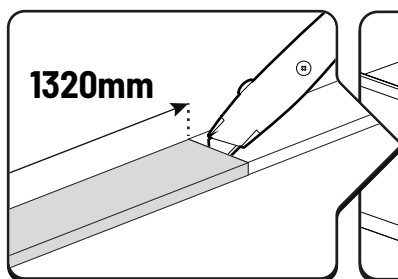
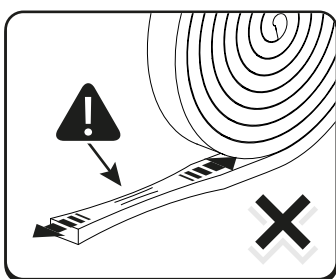
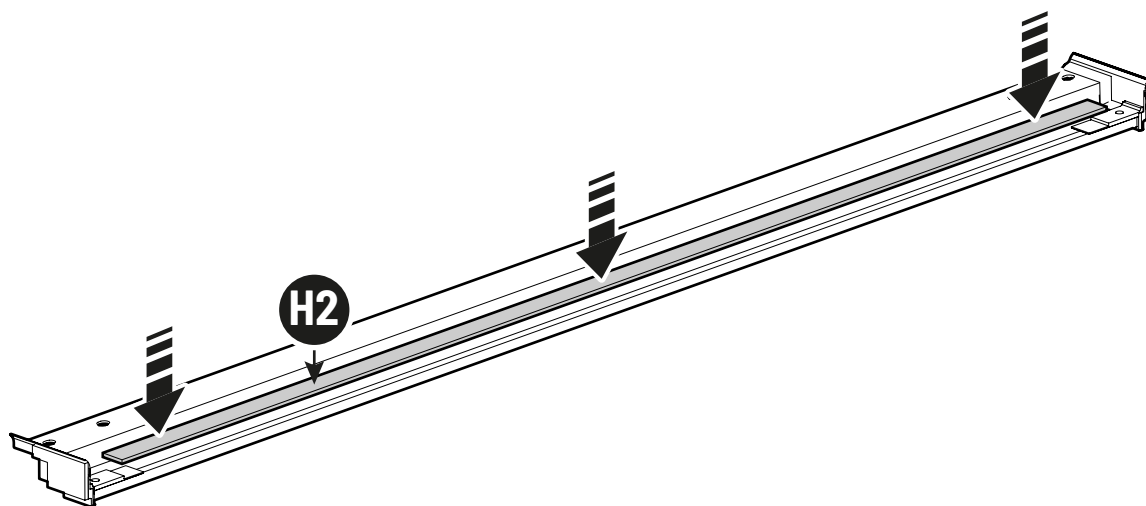
Super Glue (CA)

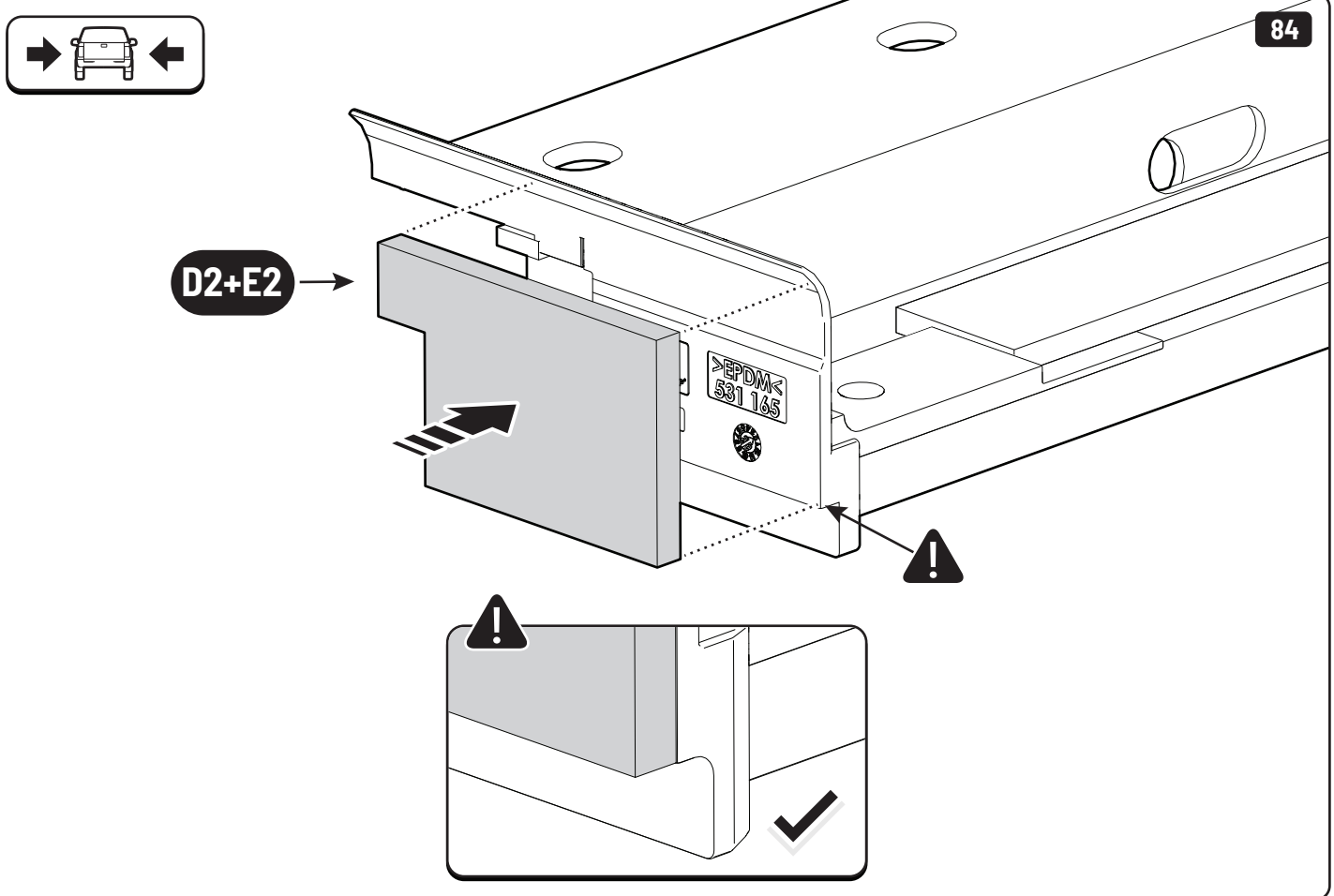
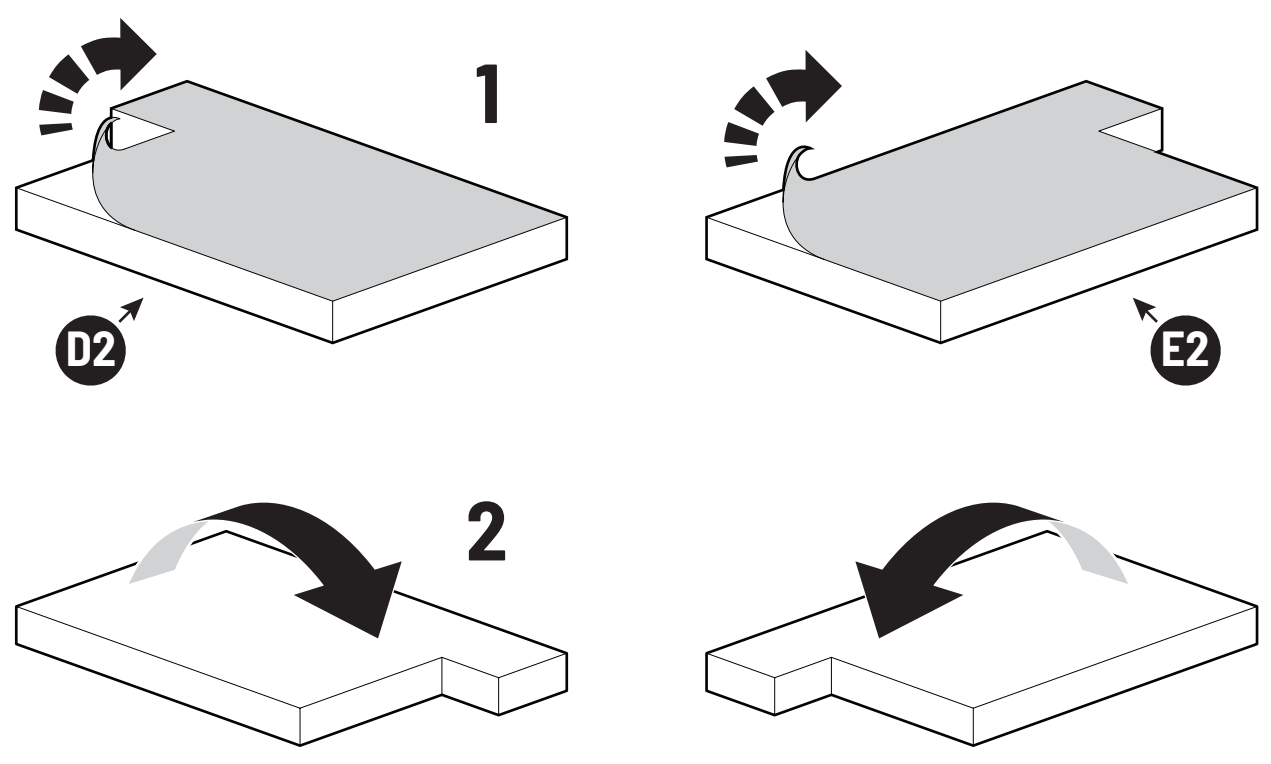
79

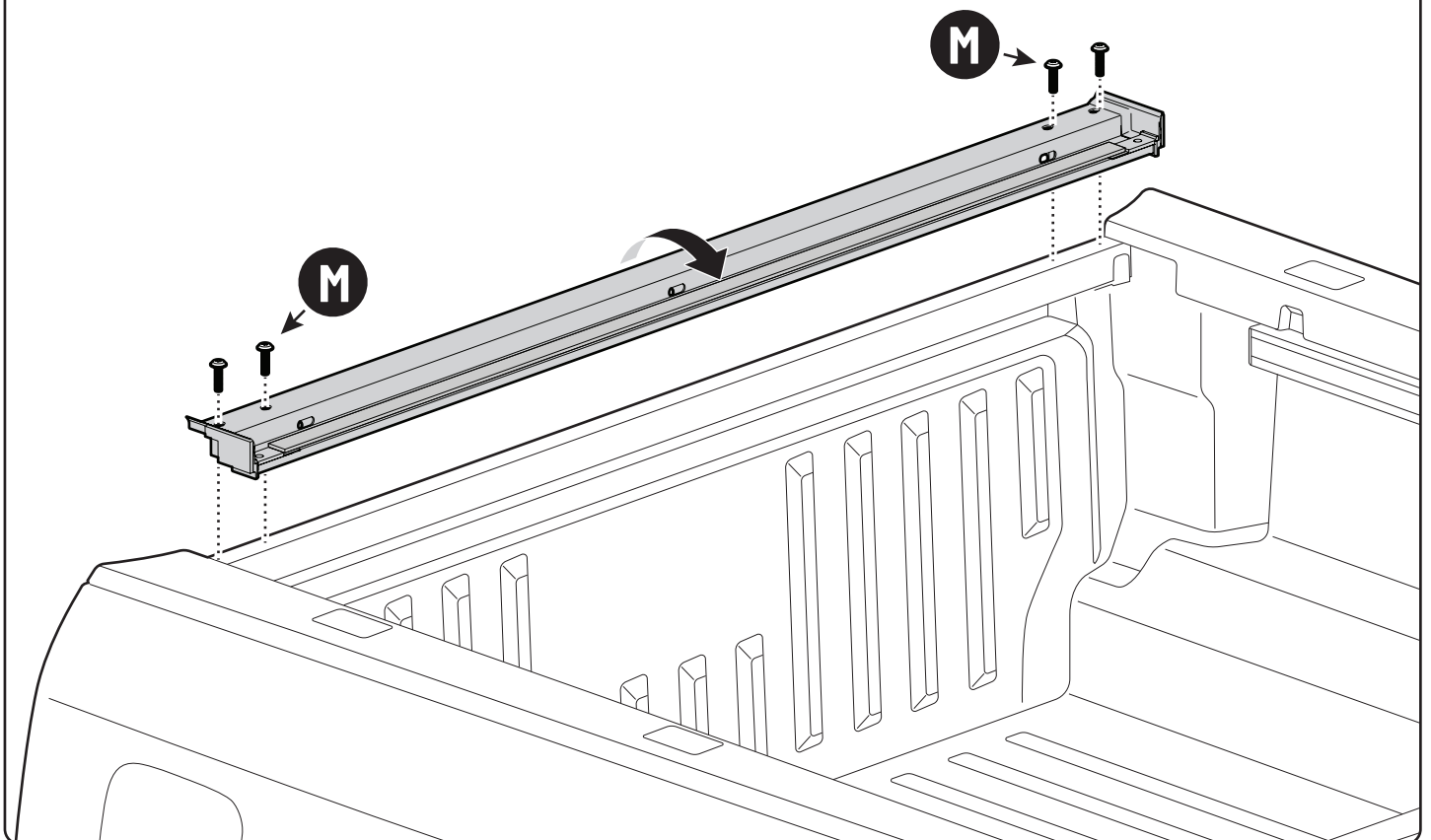
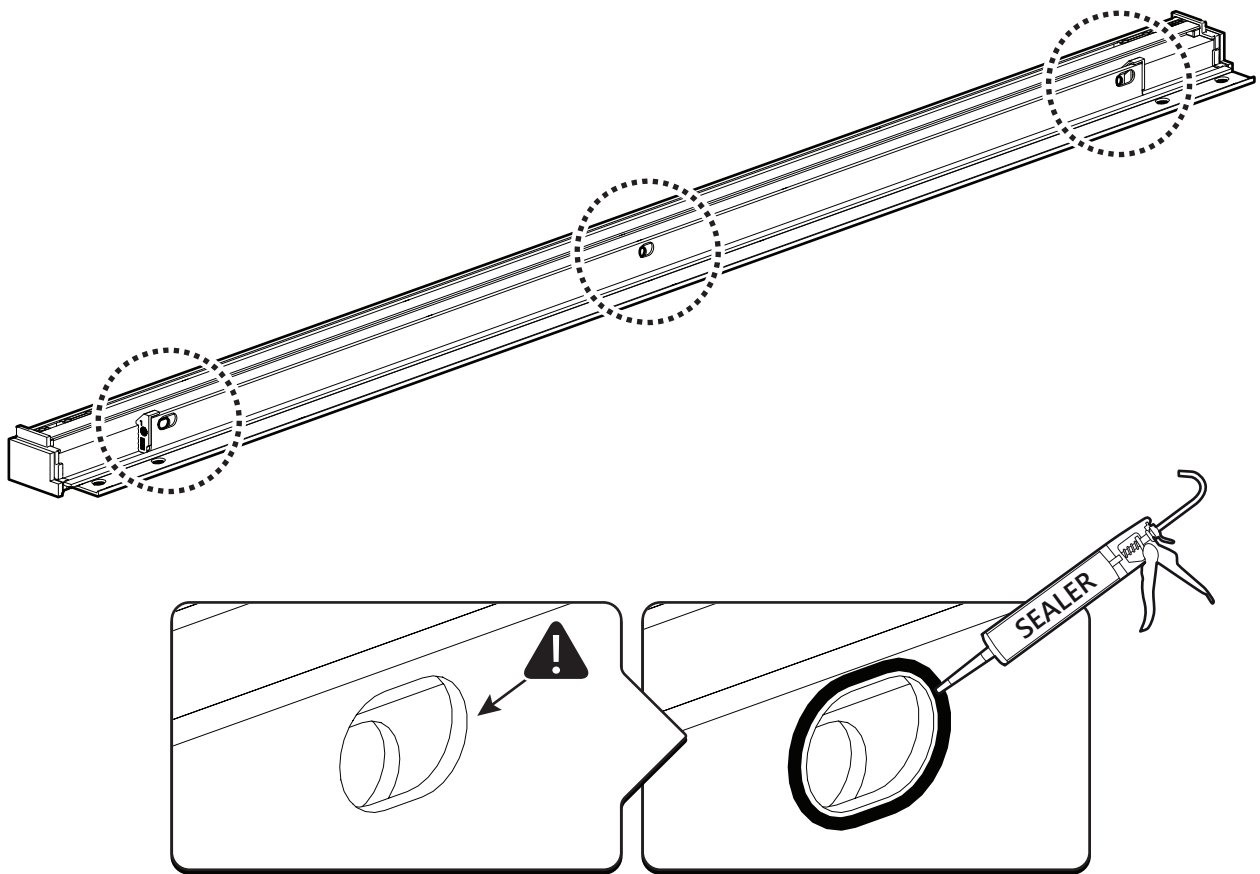


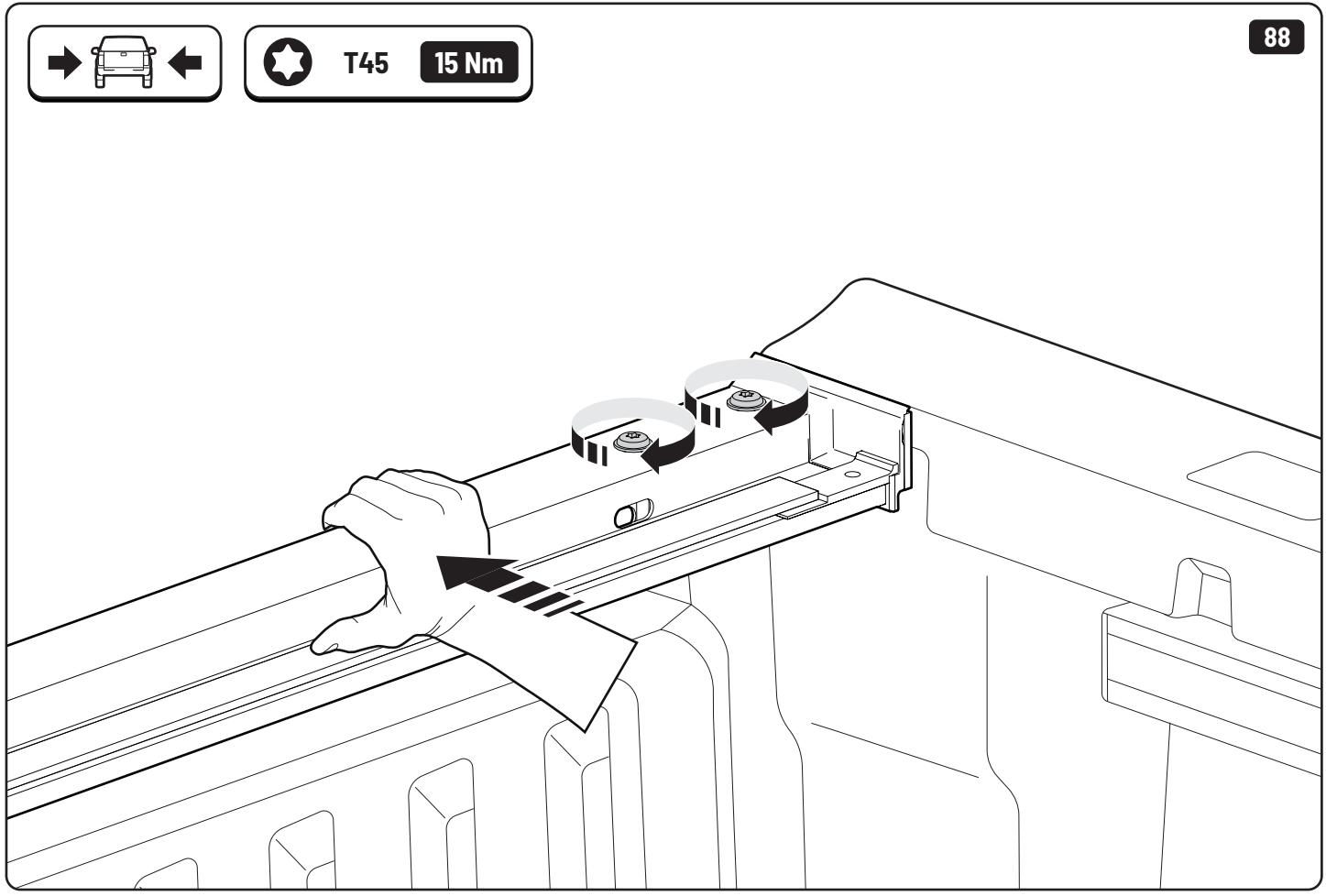
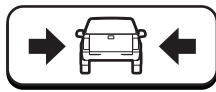
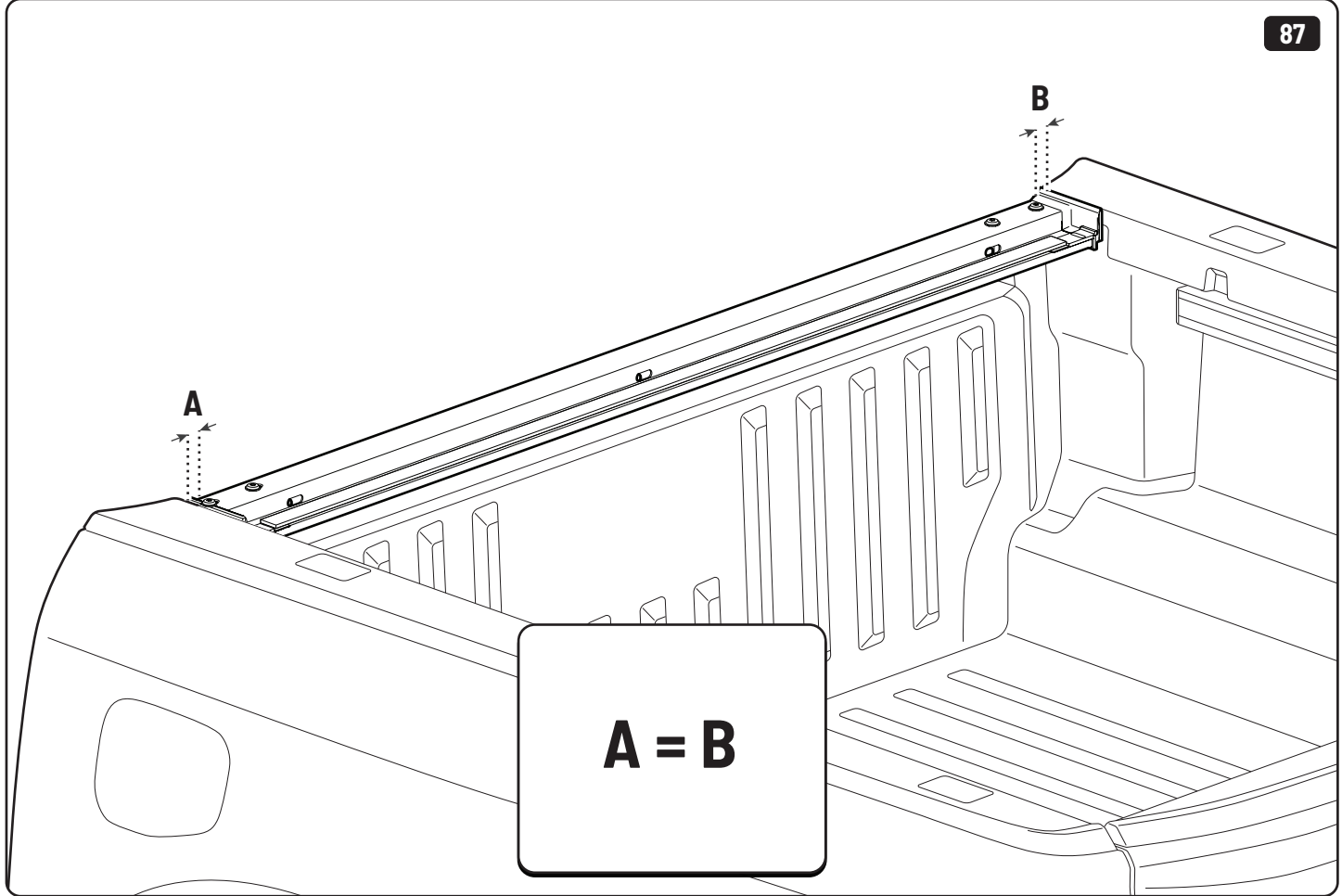
80

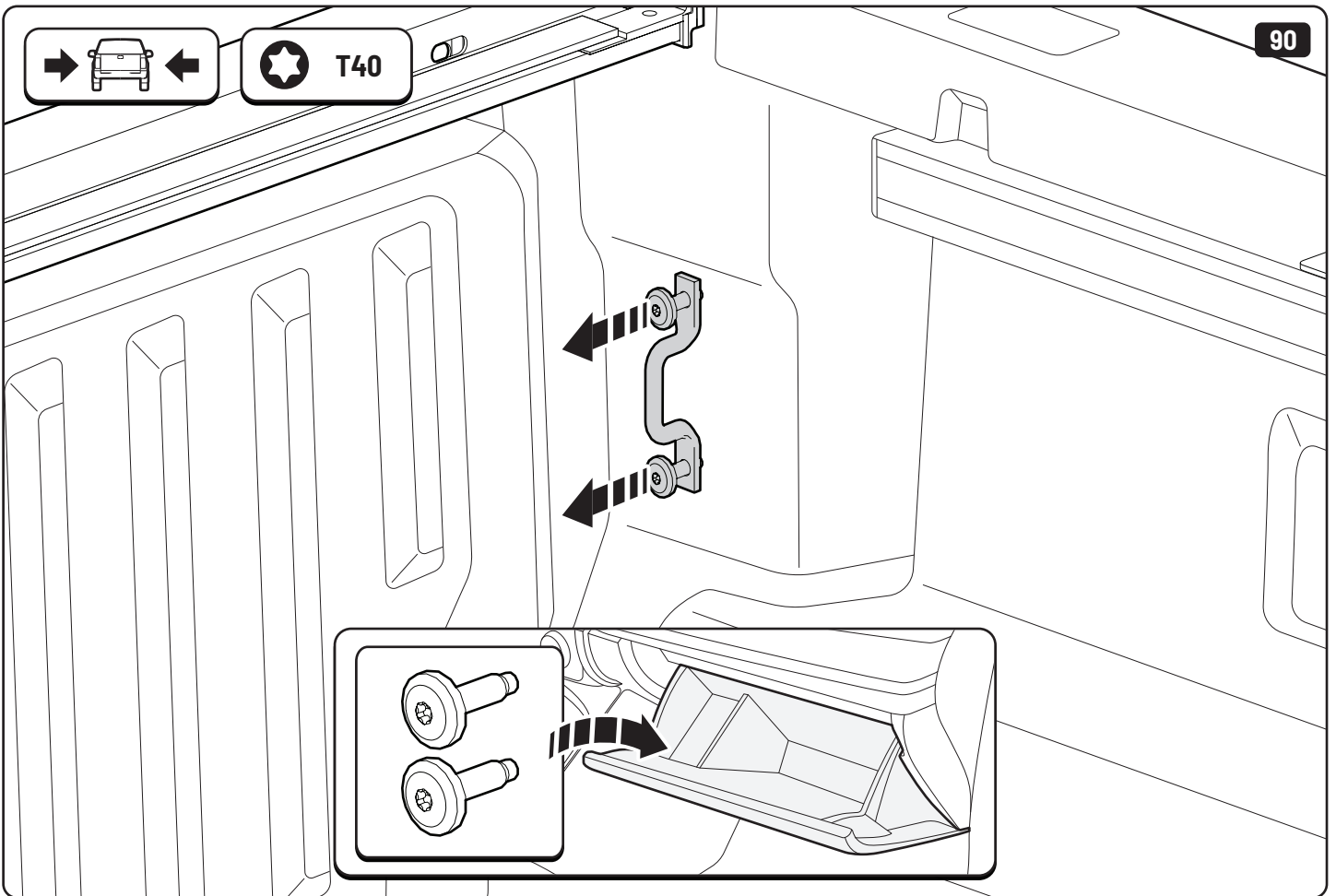
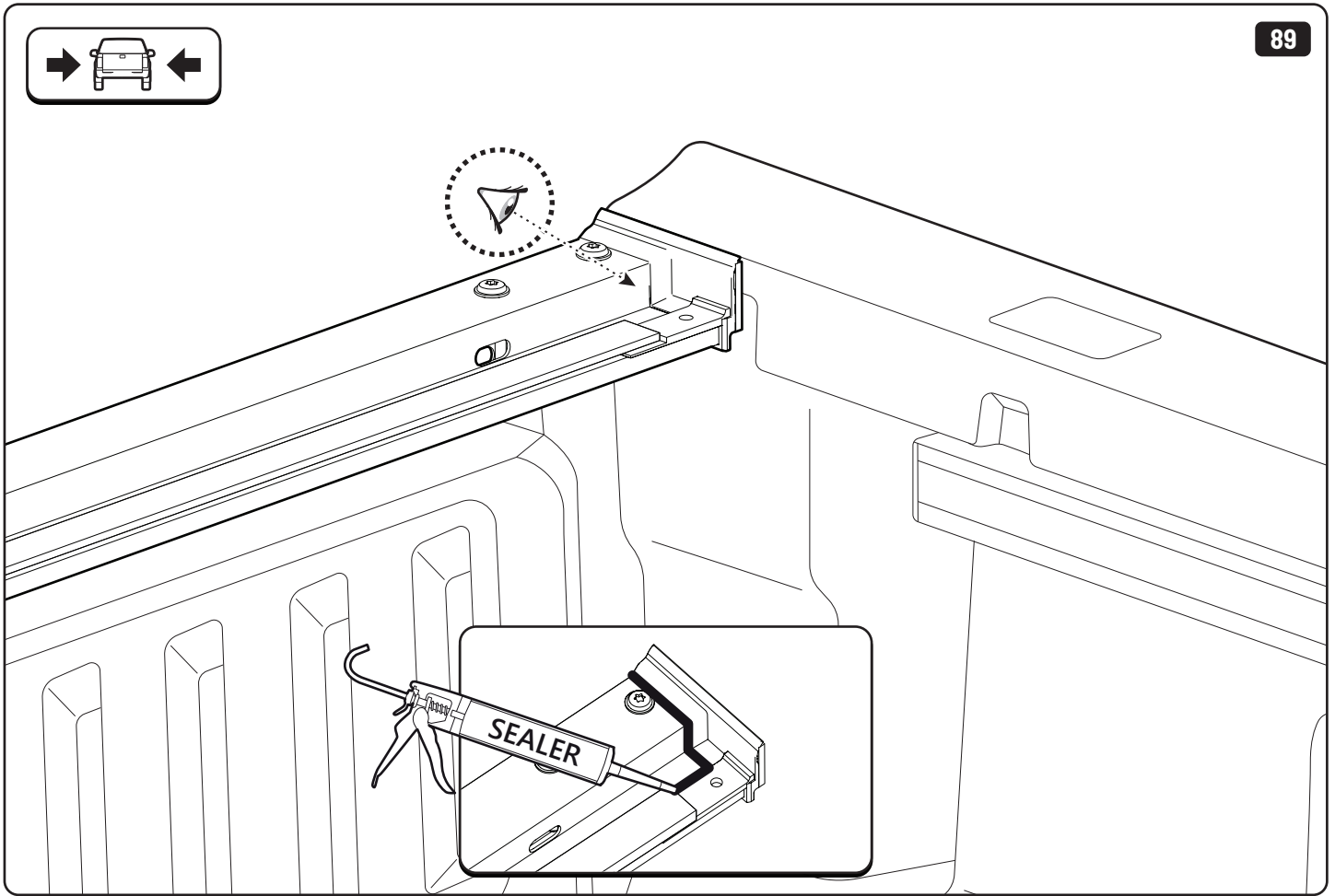
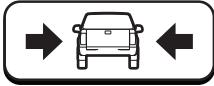


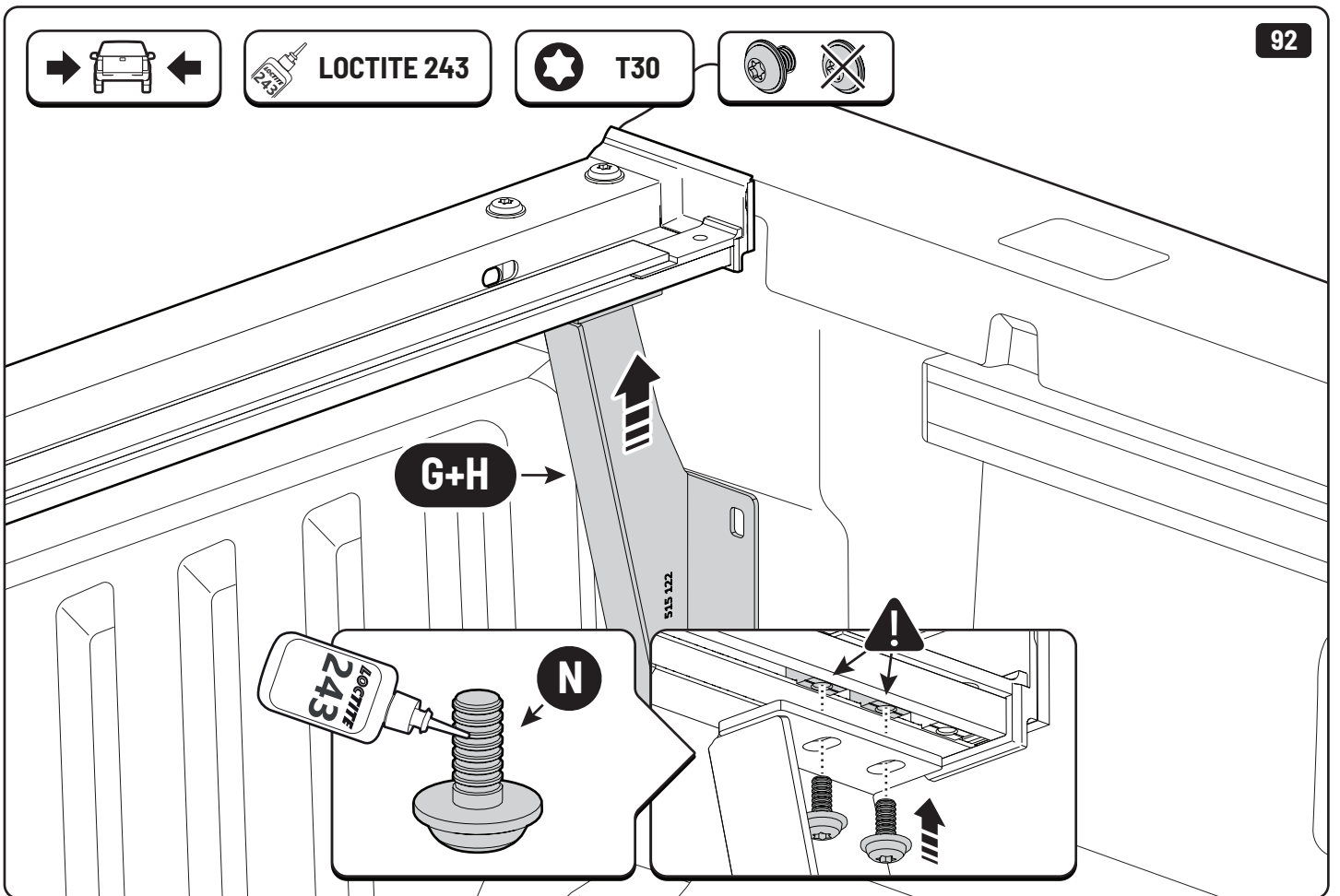
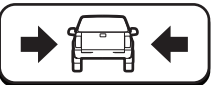
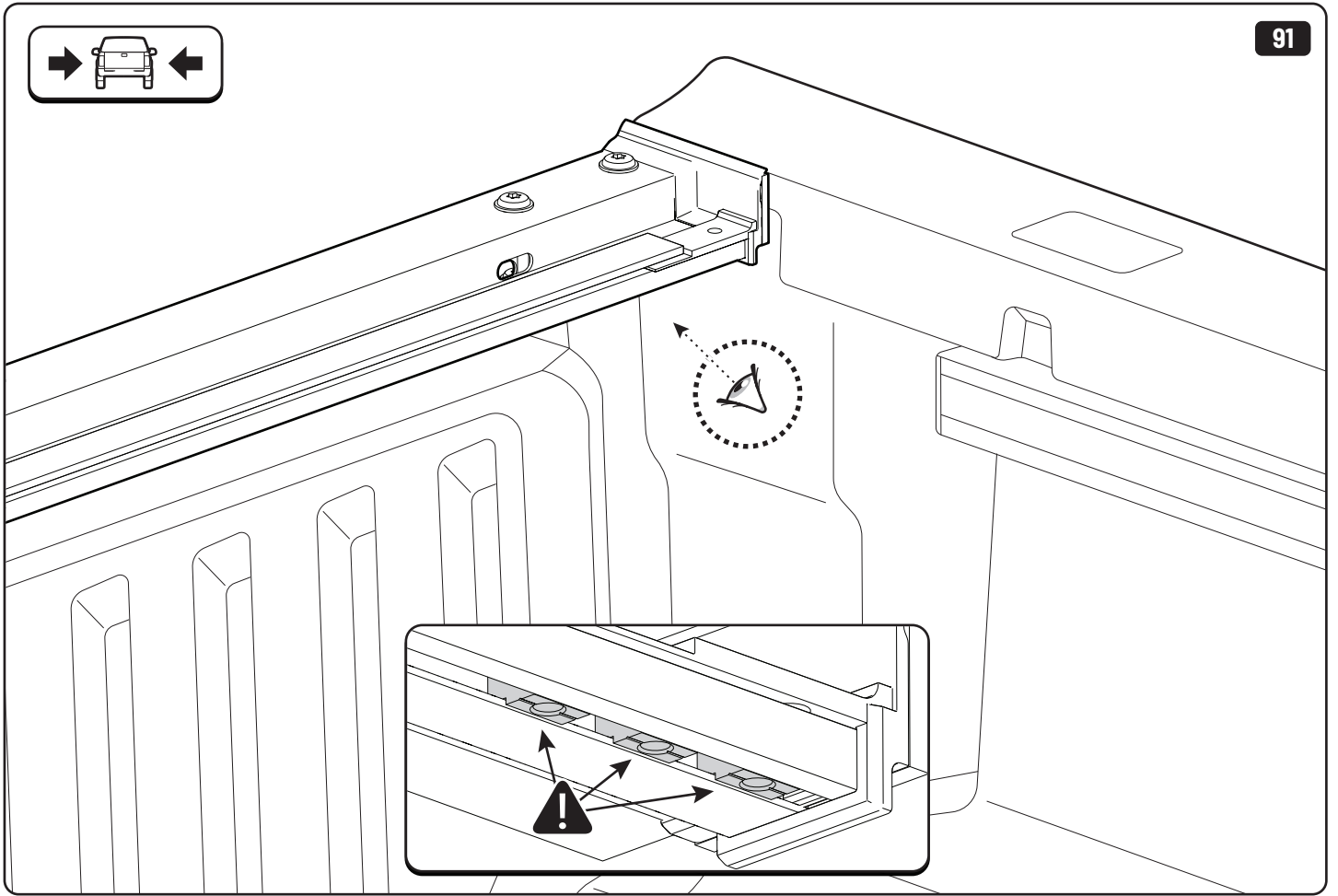
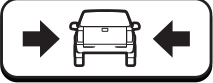


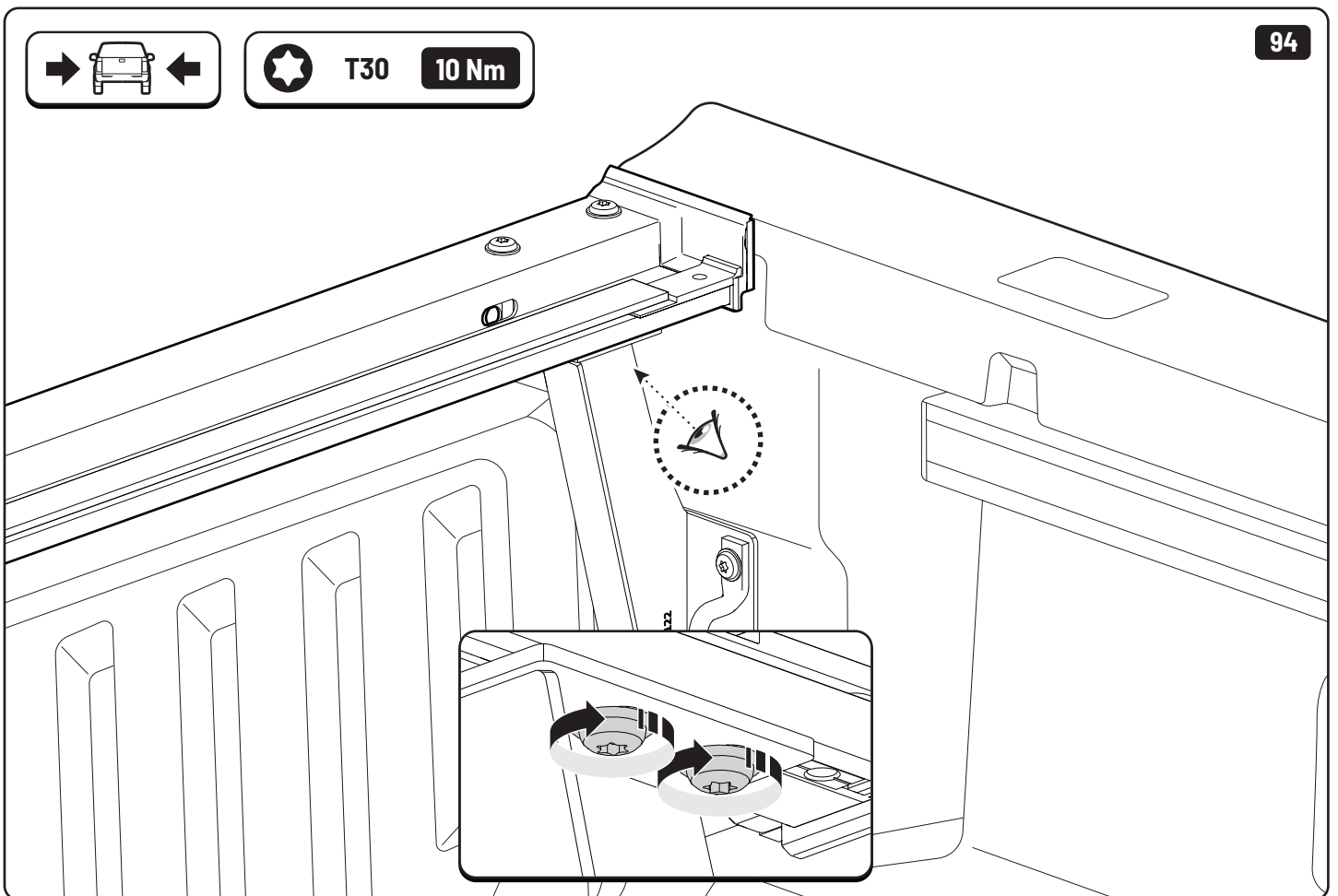
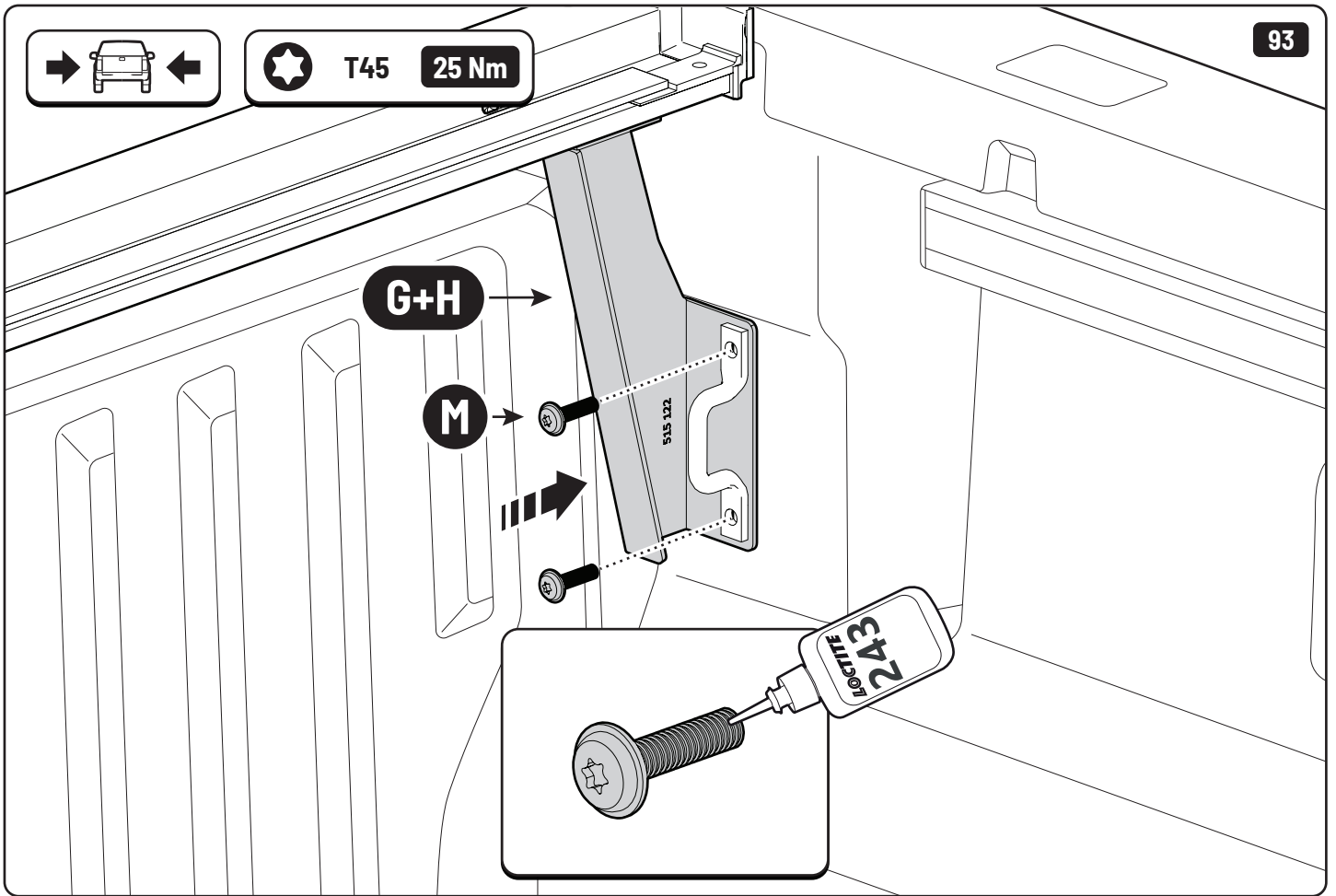


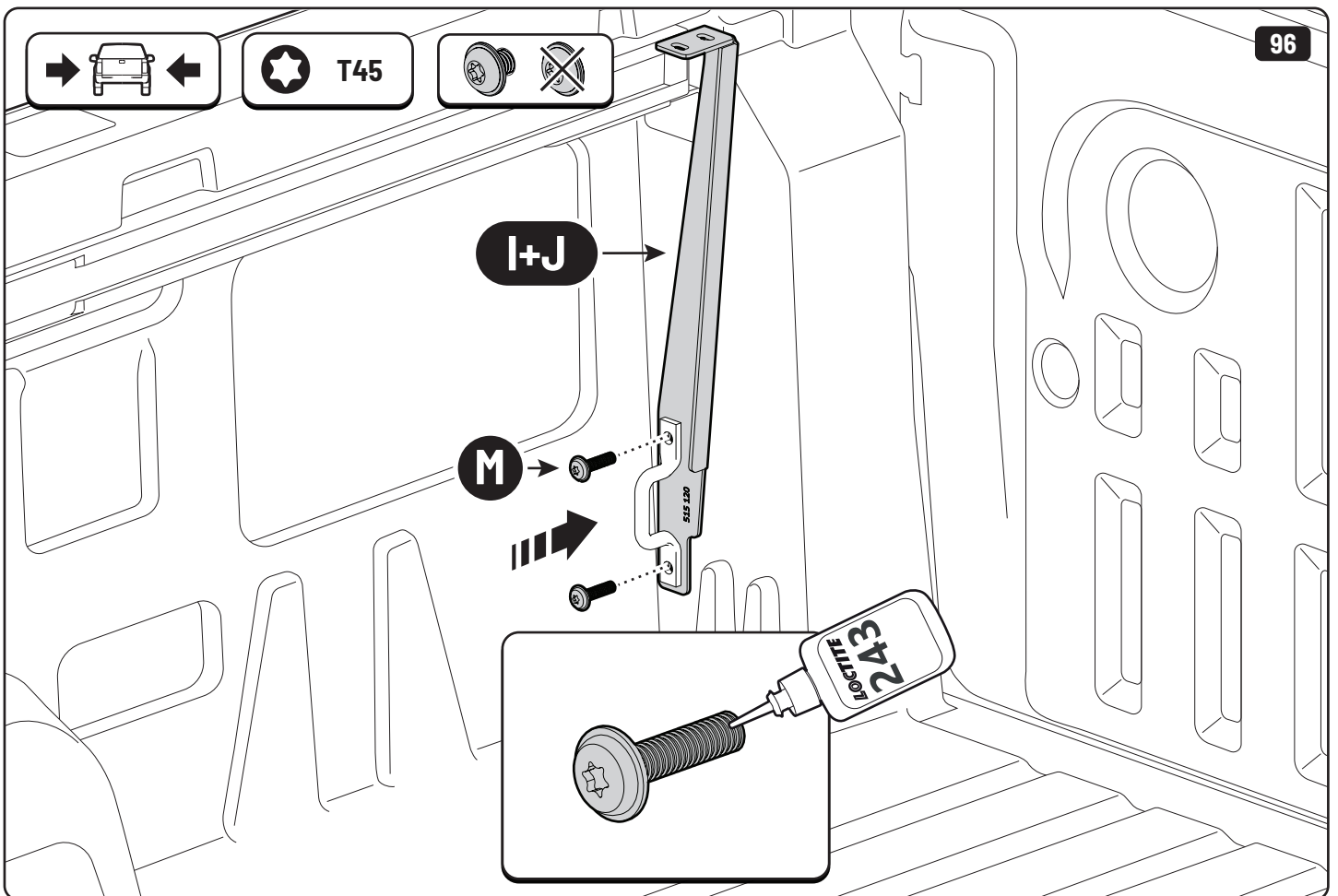
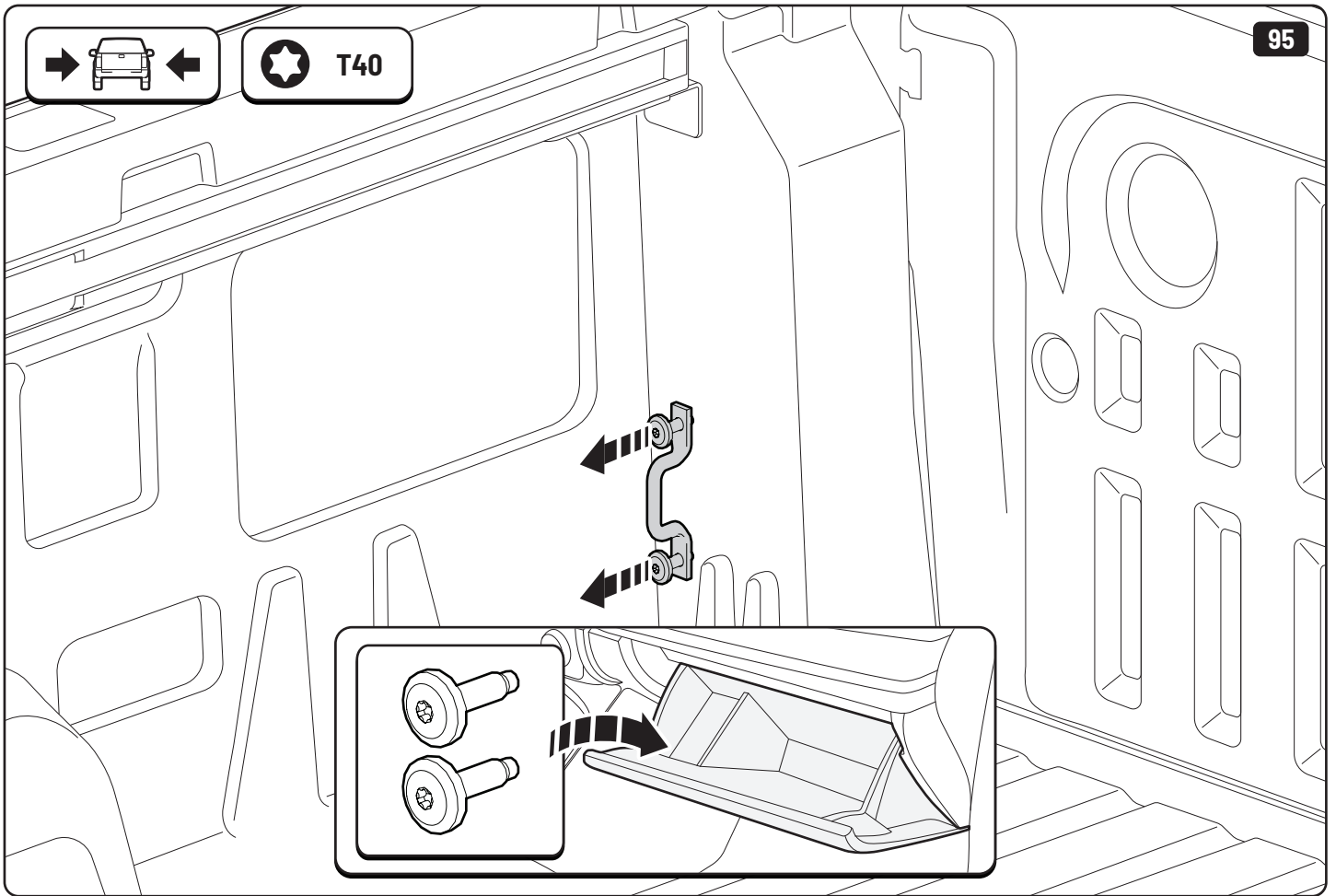


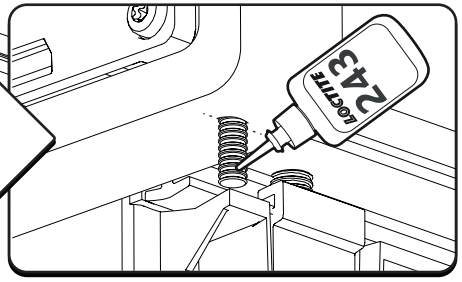
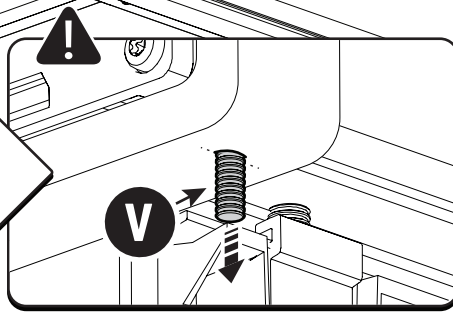
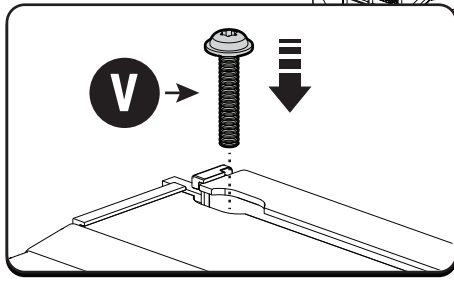
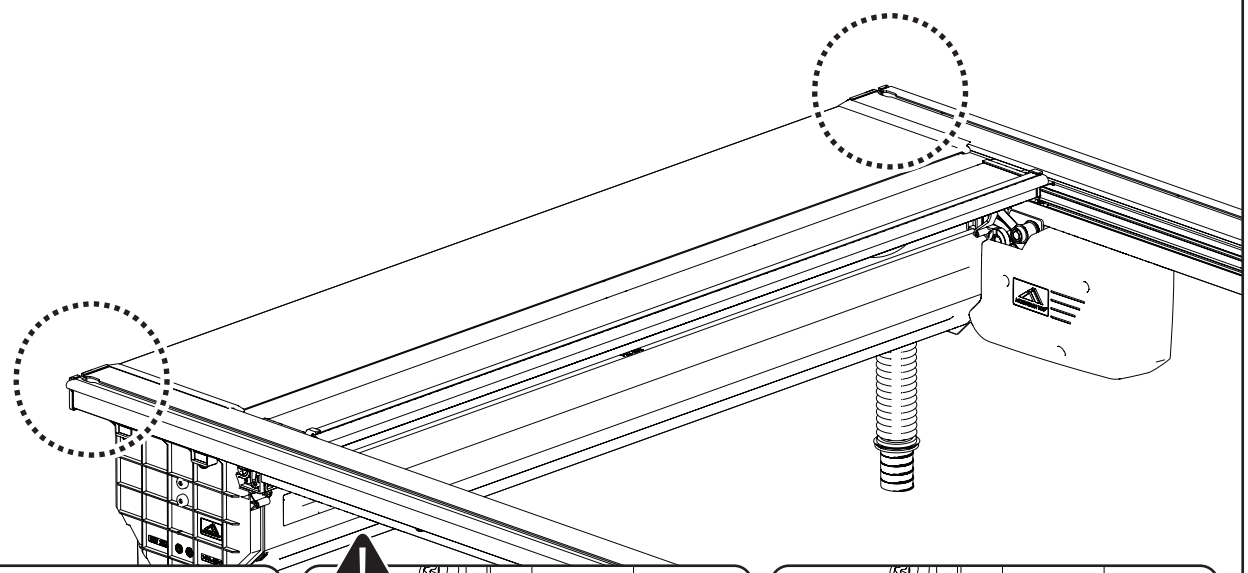
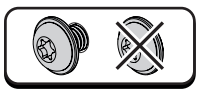
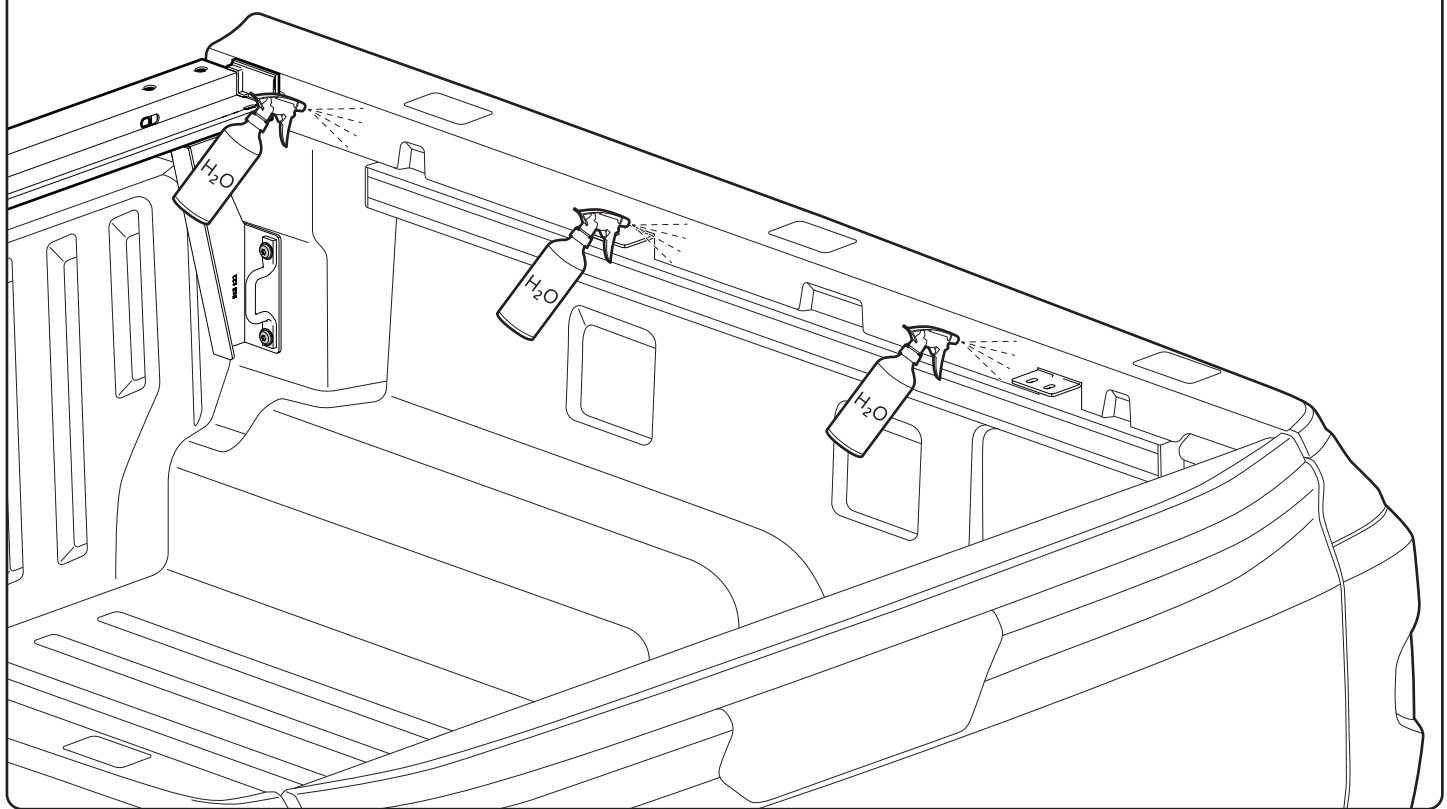


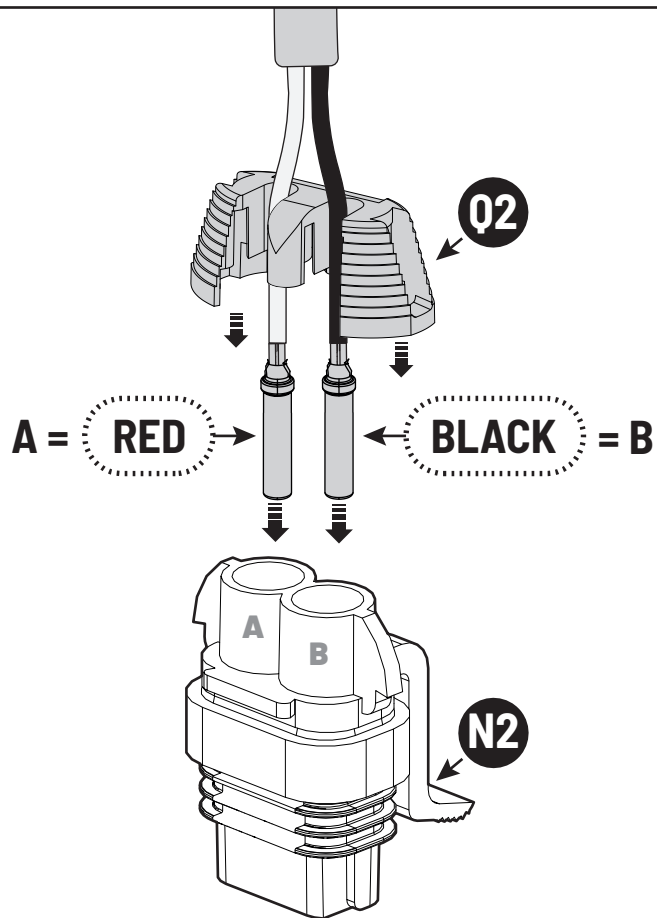
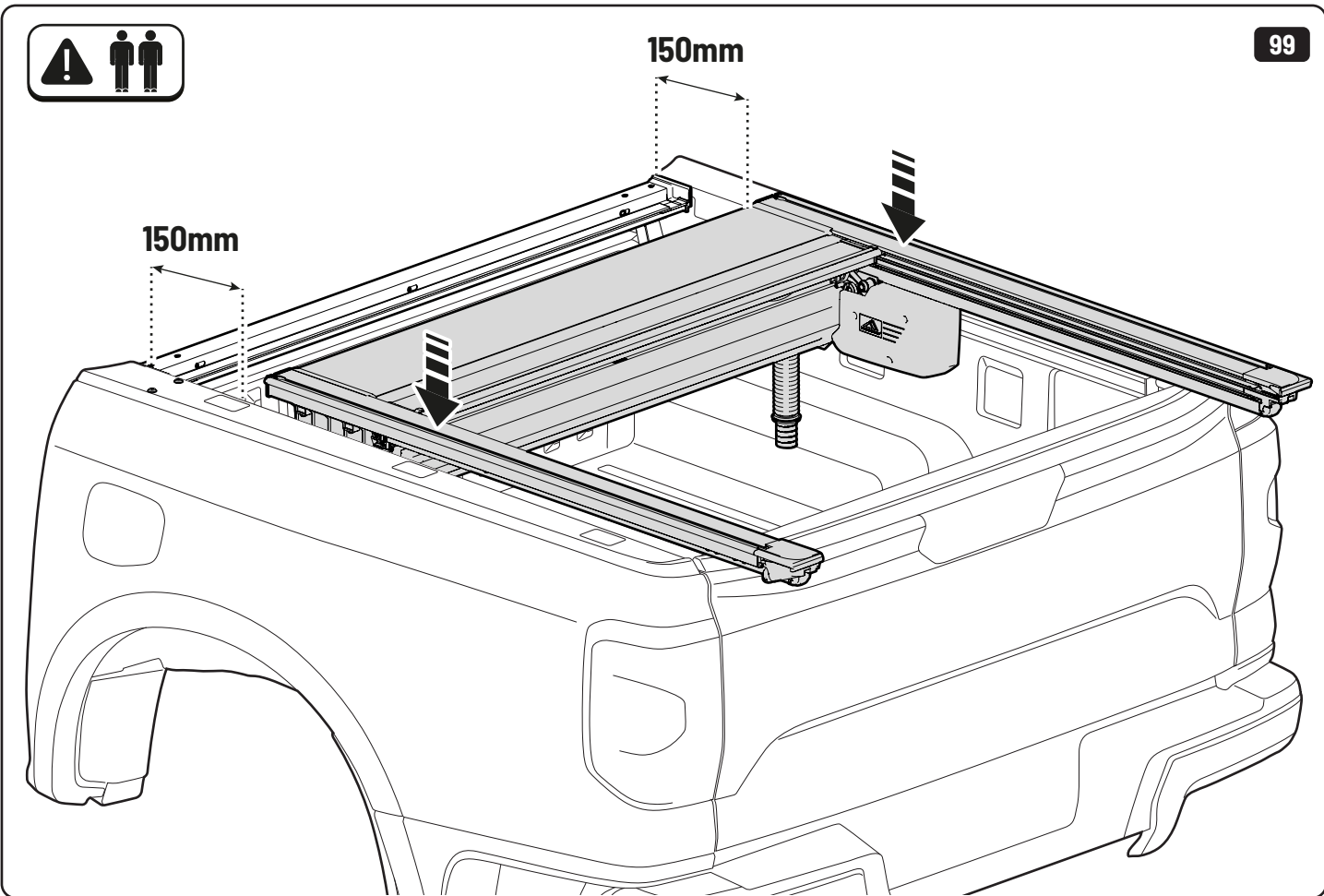


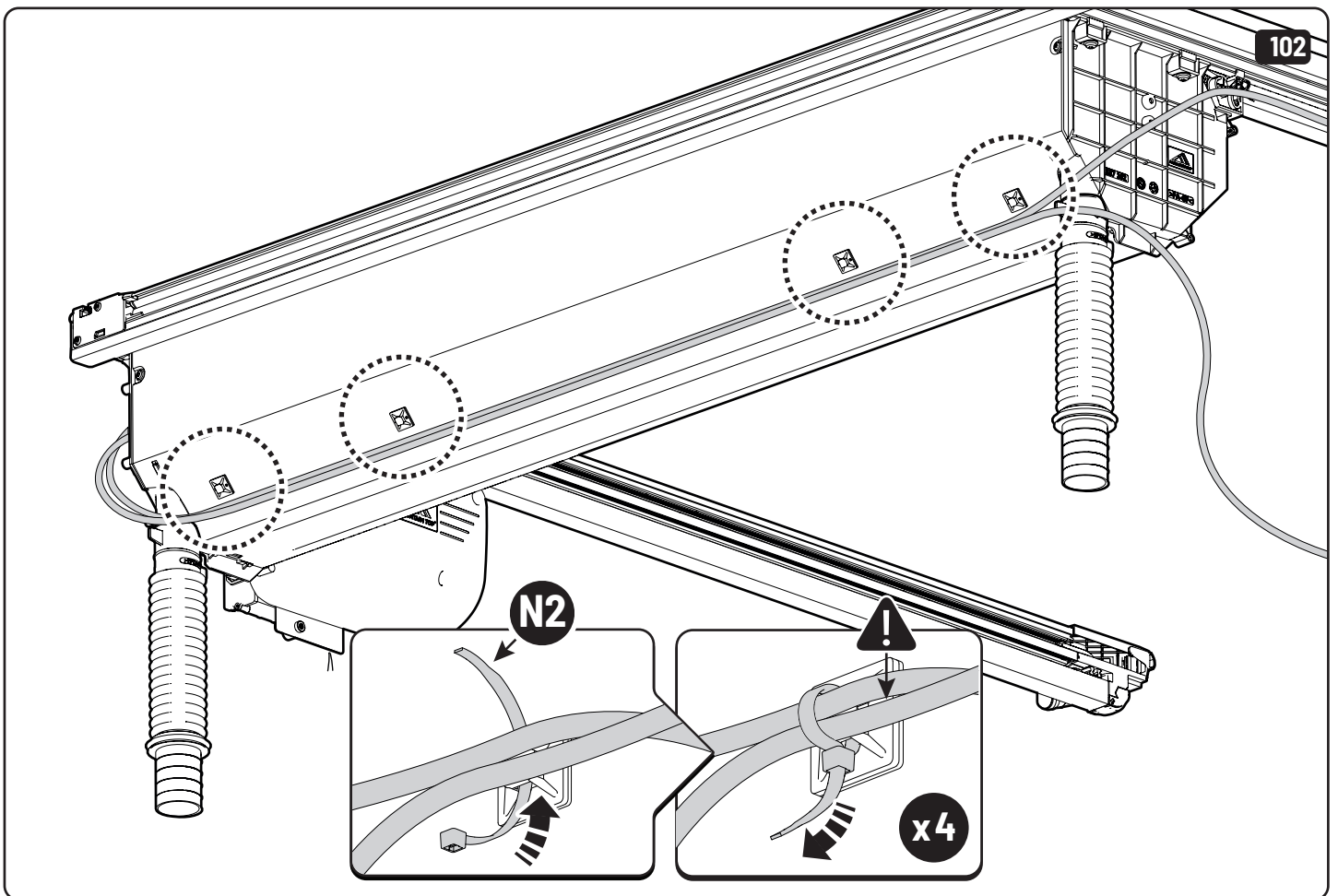
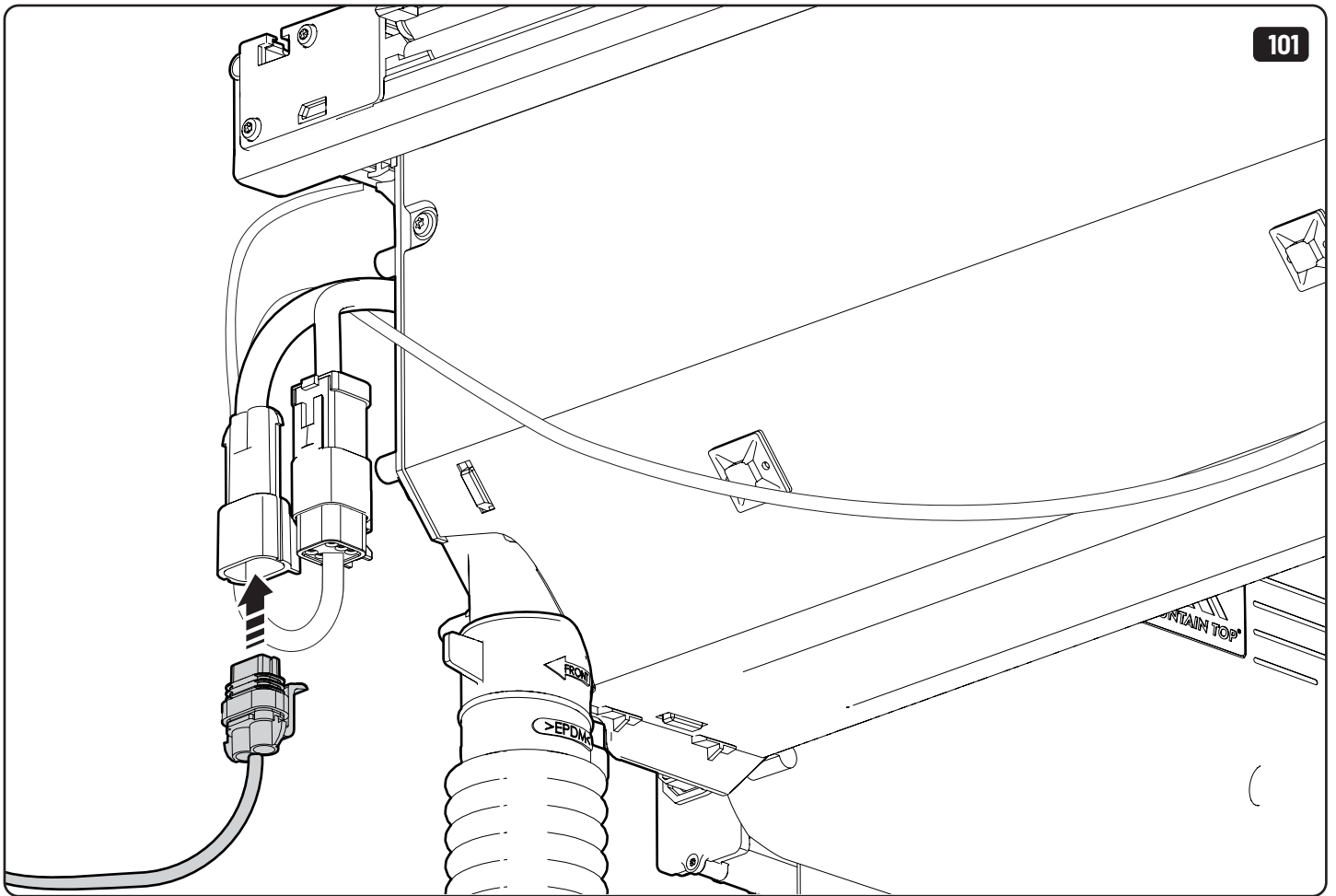


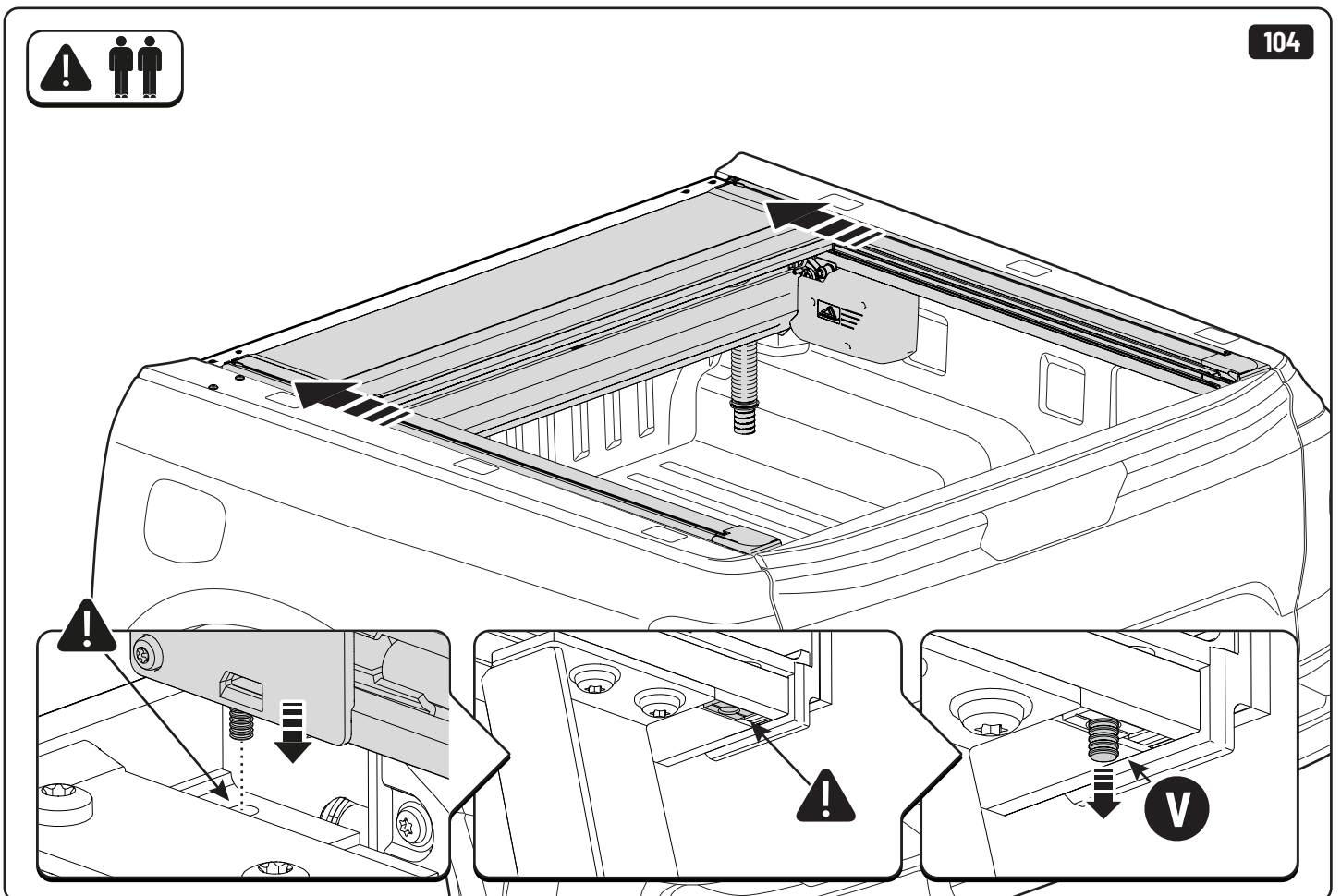
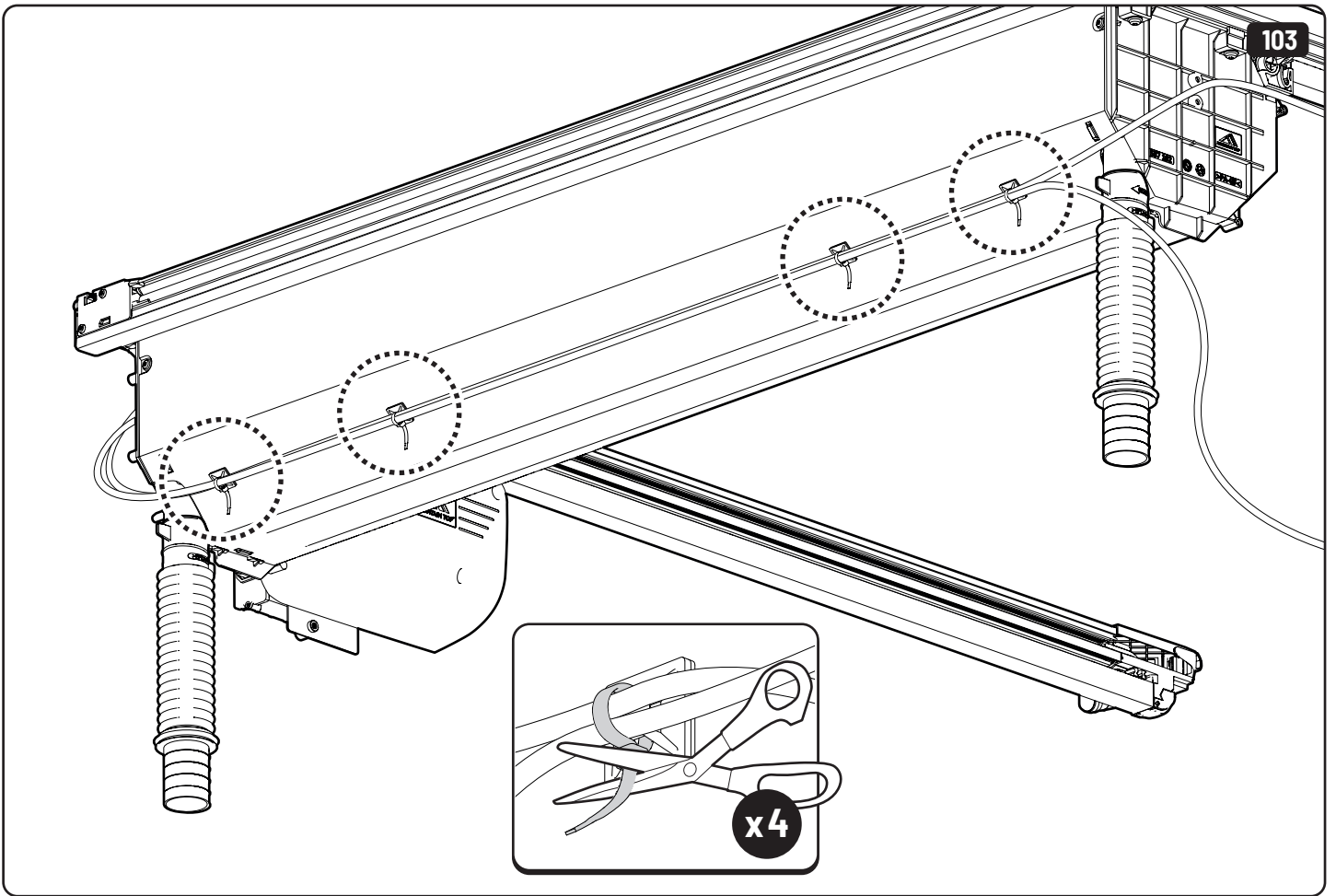


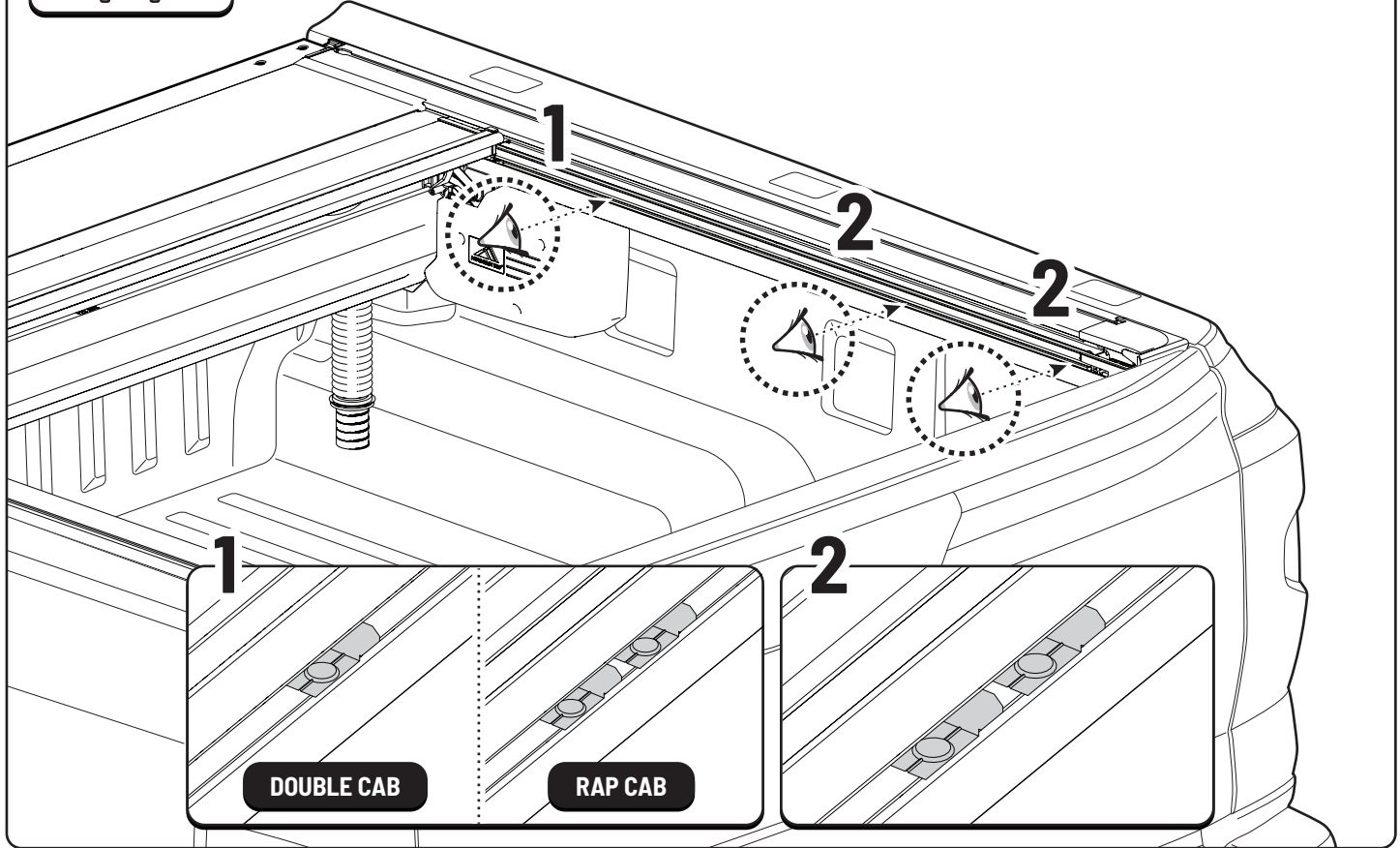
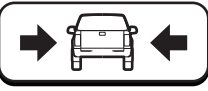






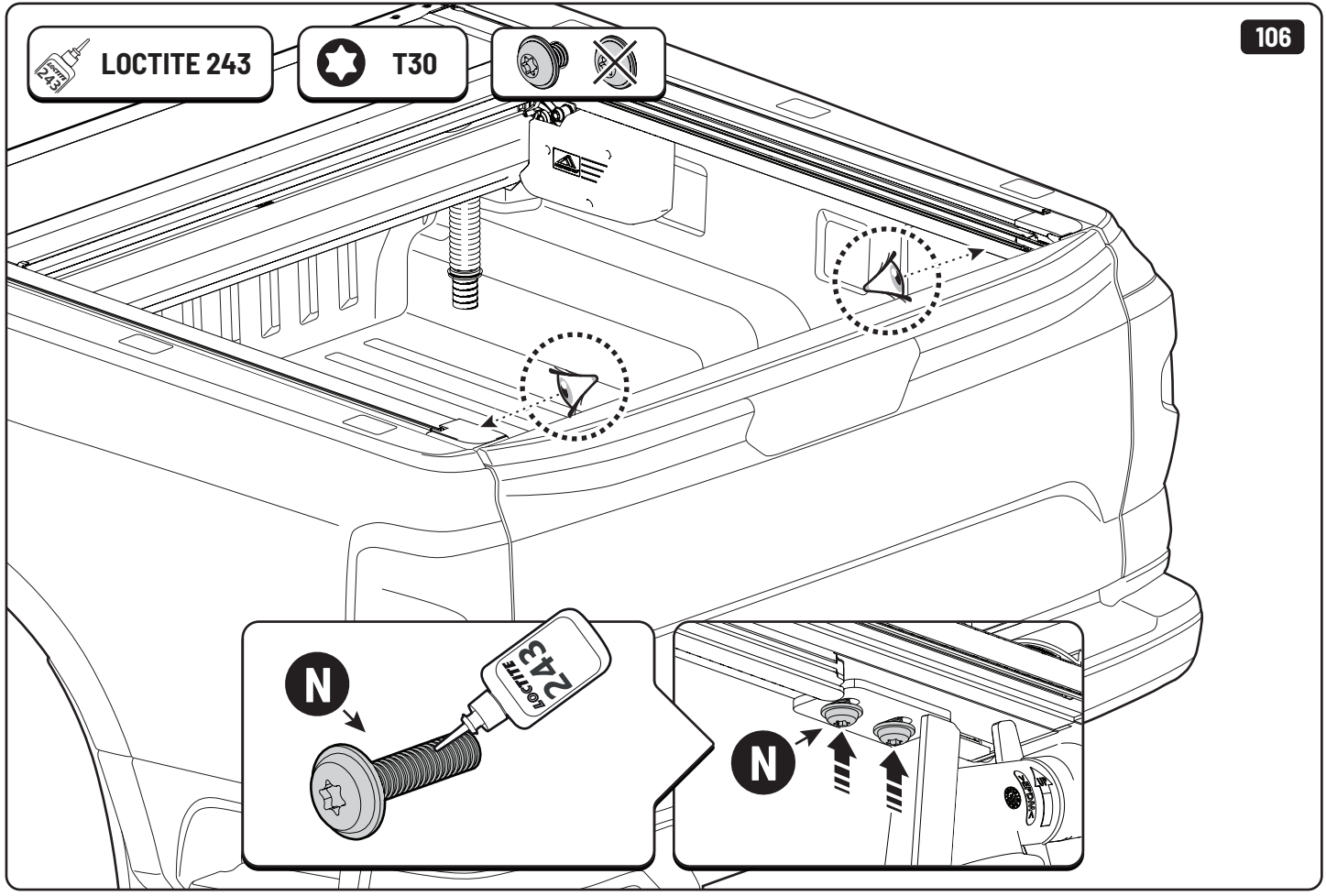






LOCTITE 243

T30

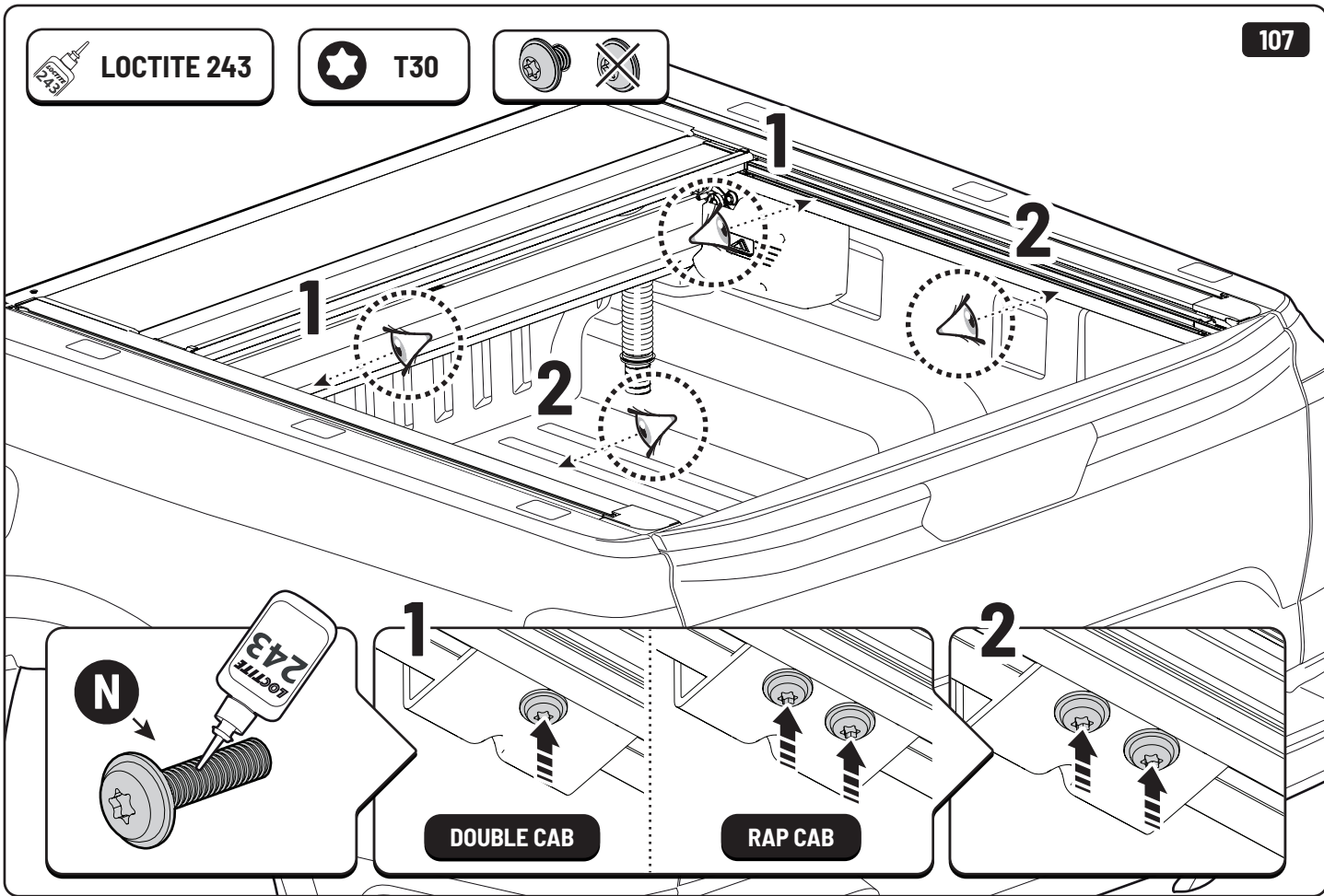


LOCTITE 243

T30



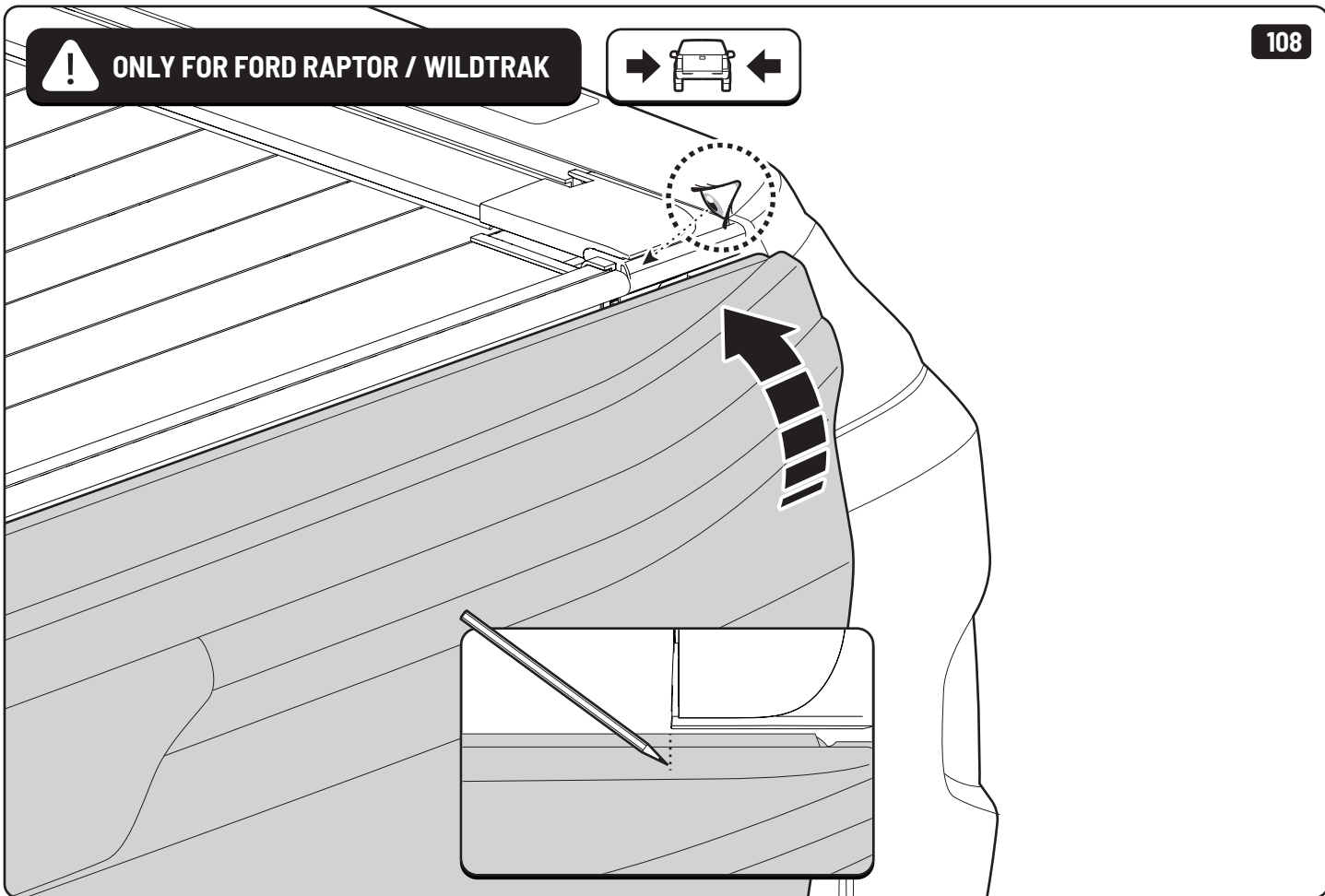
107



! ONLY FOR FORD RAPTOR / WILDTRAK



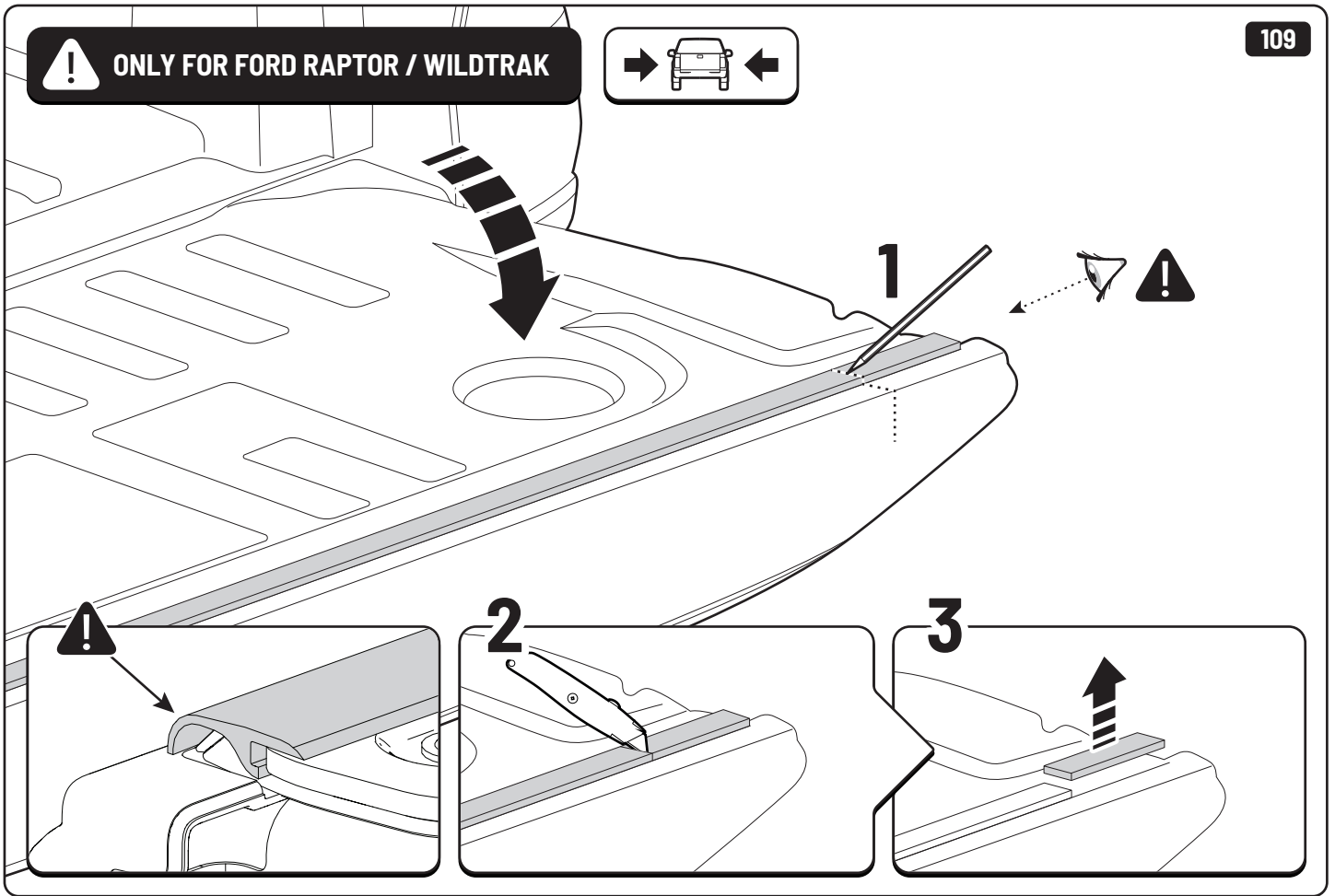
108



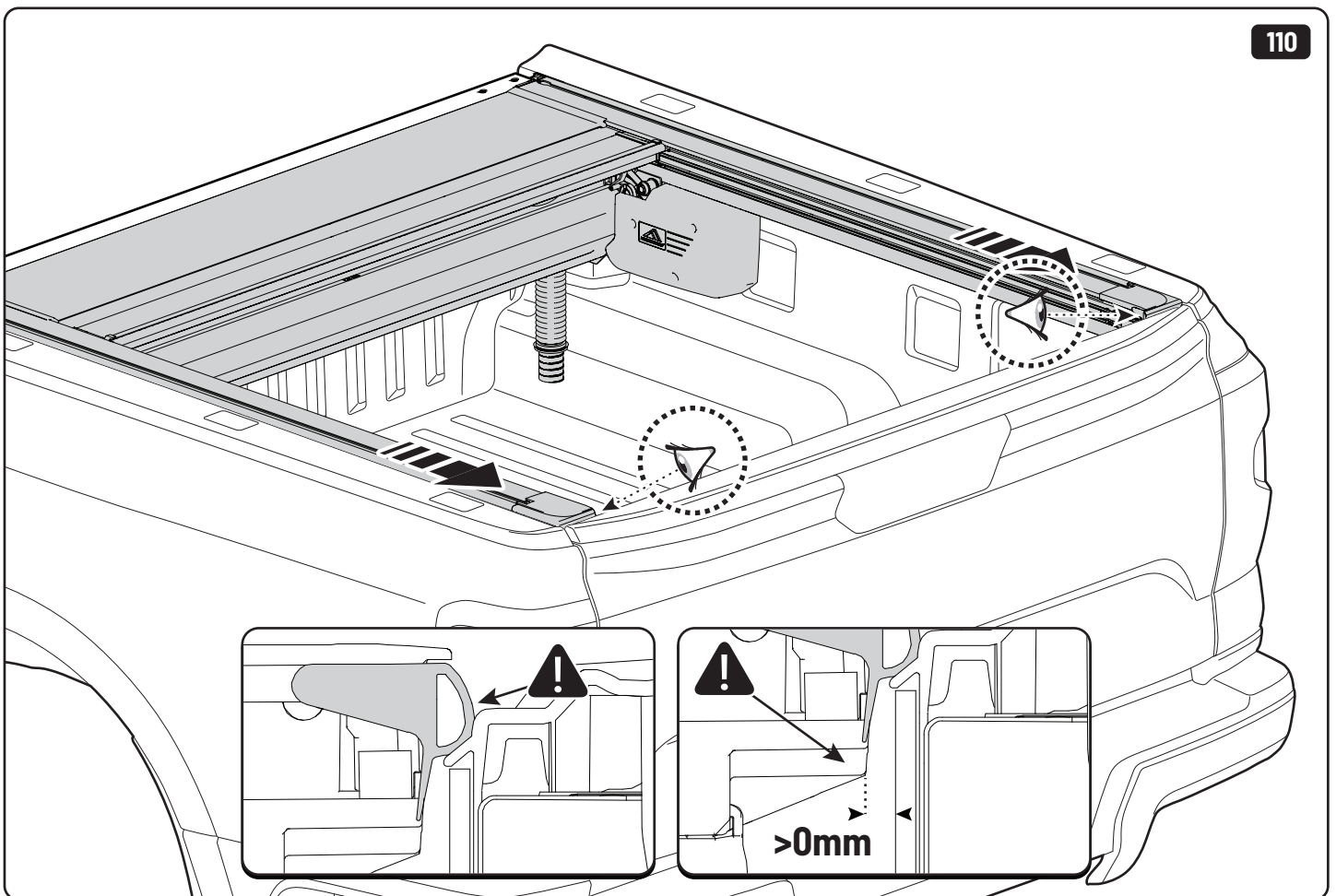
! ONLY FOR FORD RAPTOR / WILDTRAK

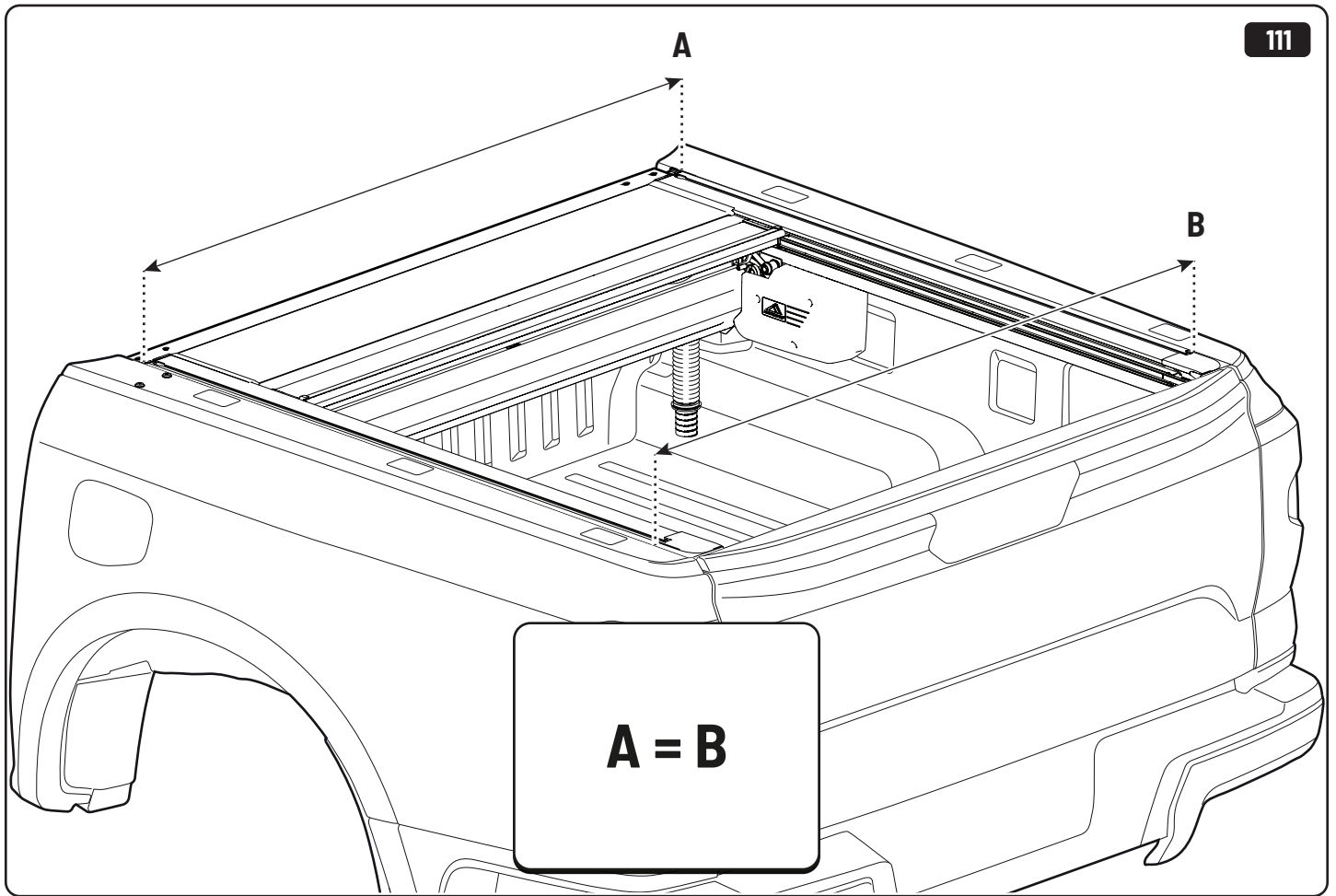


109



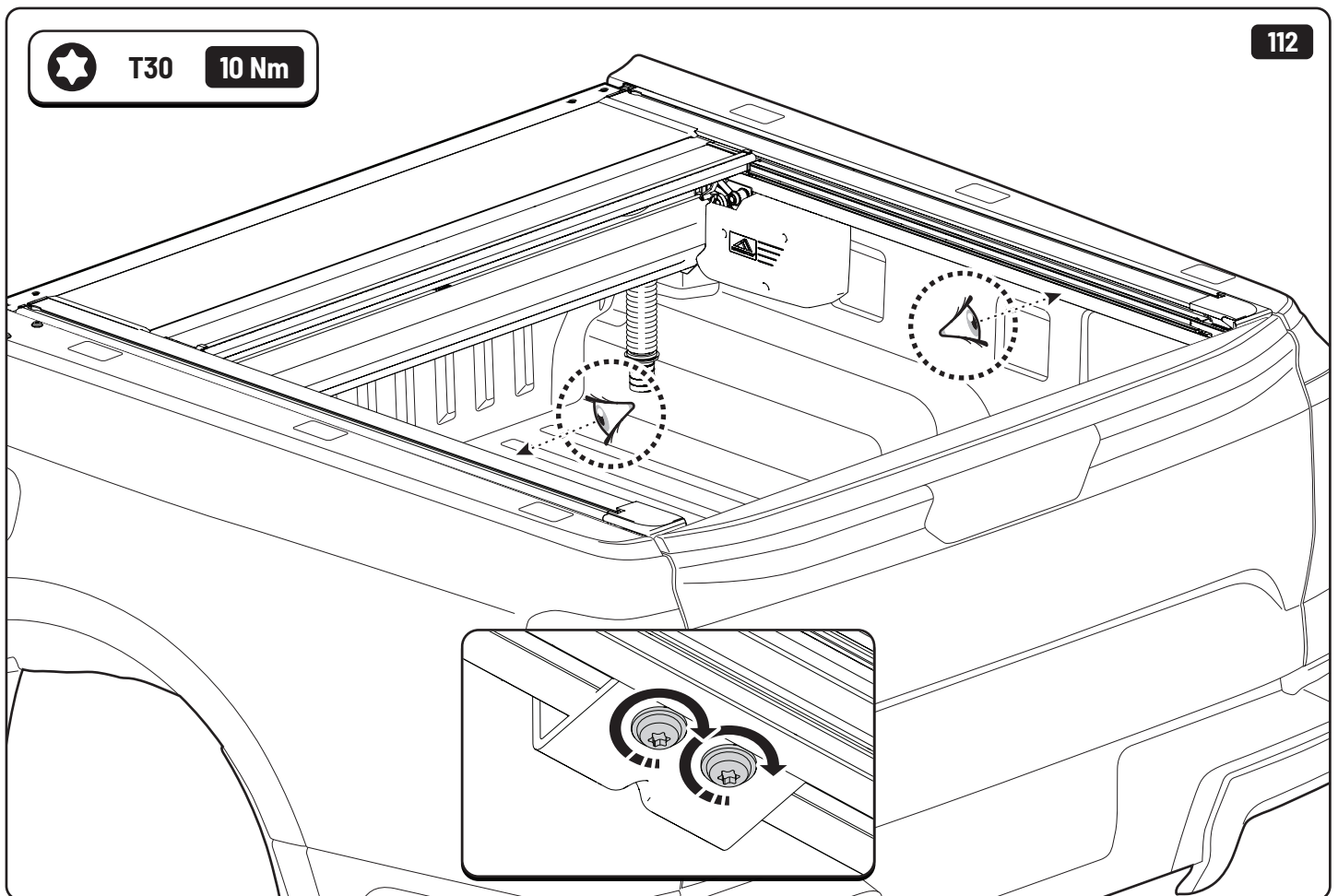
110

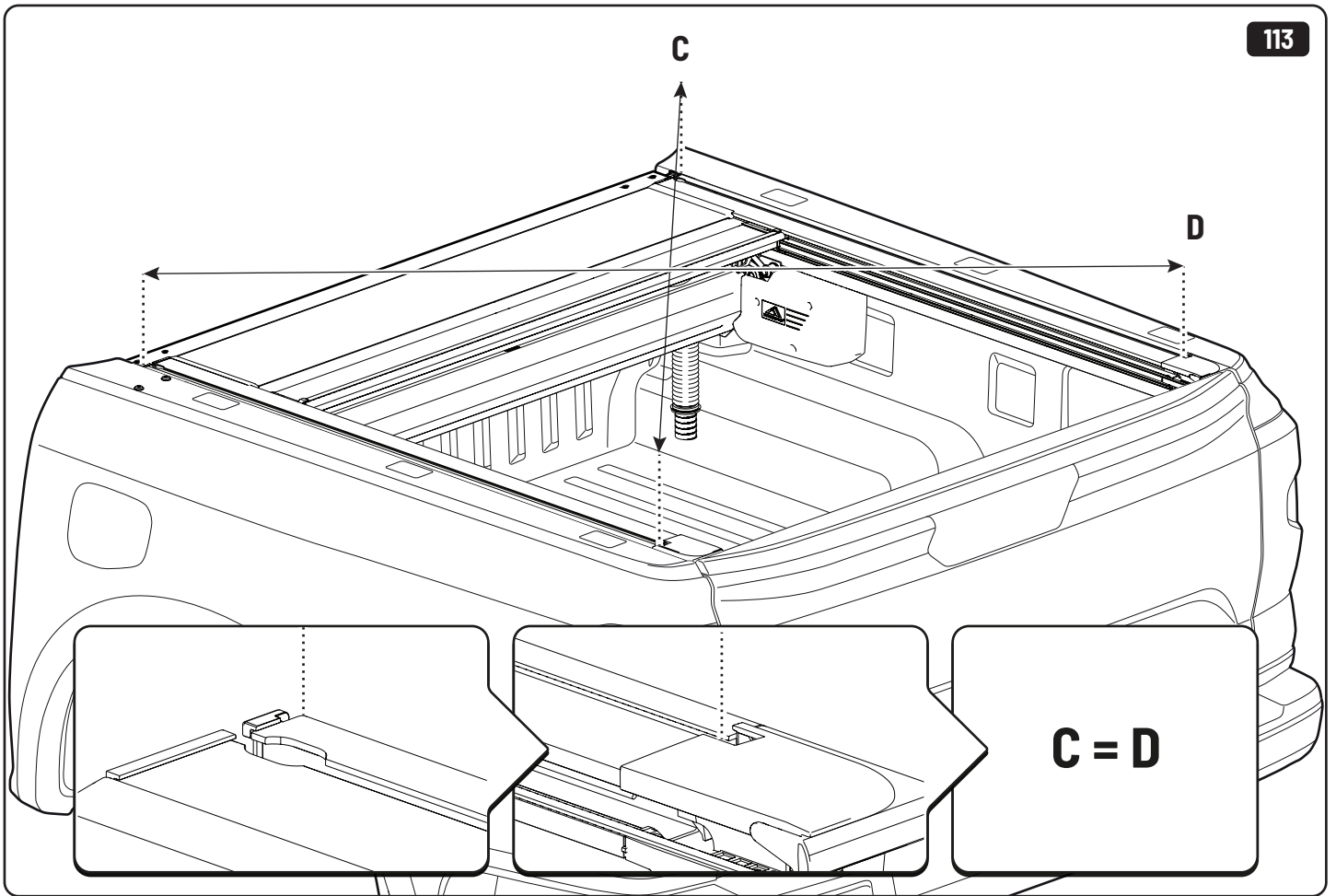




T30

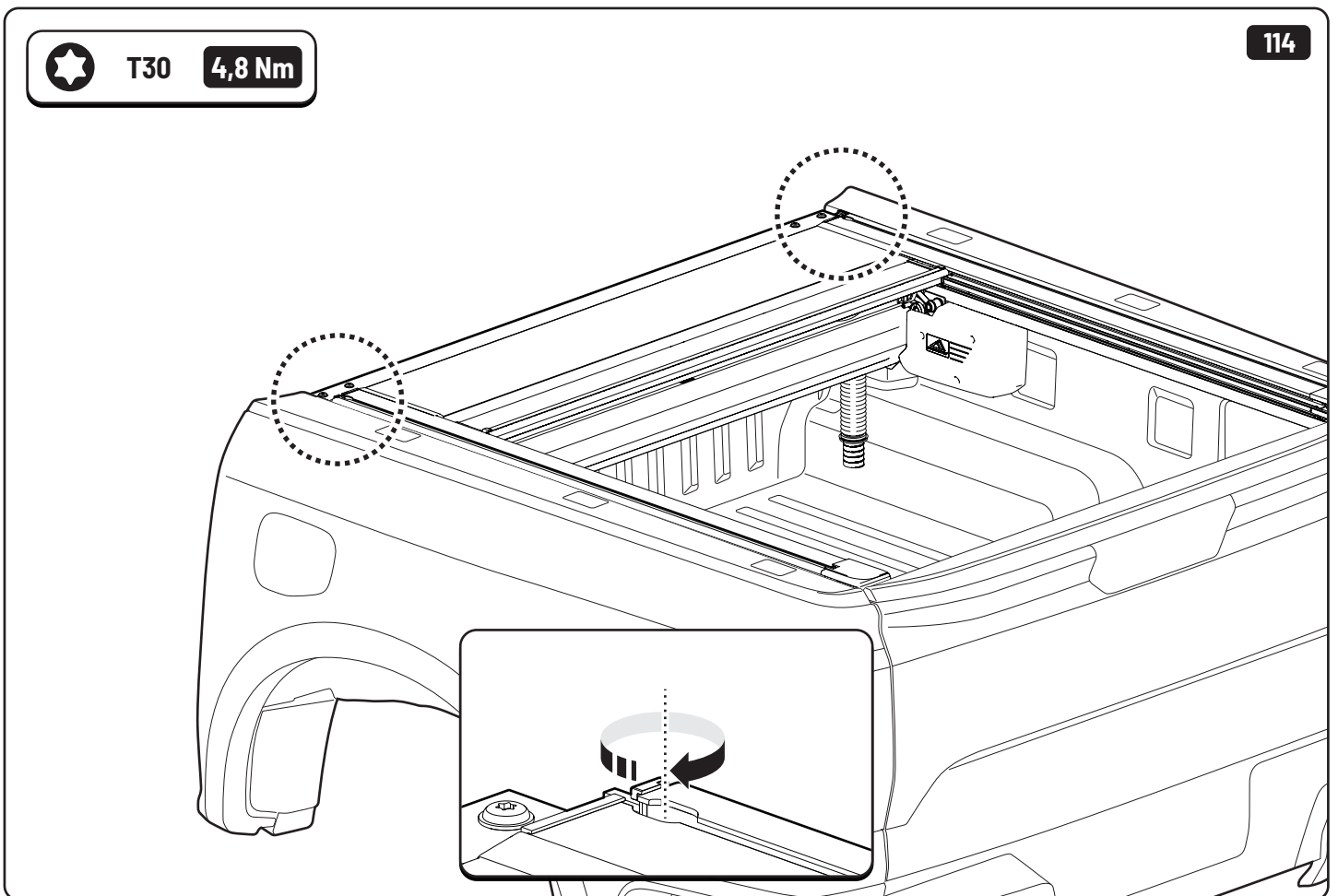
10 Nm



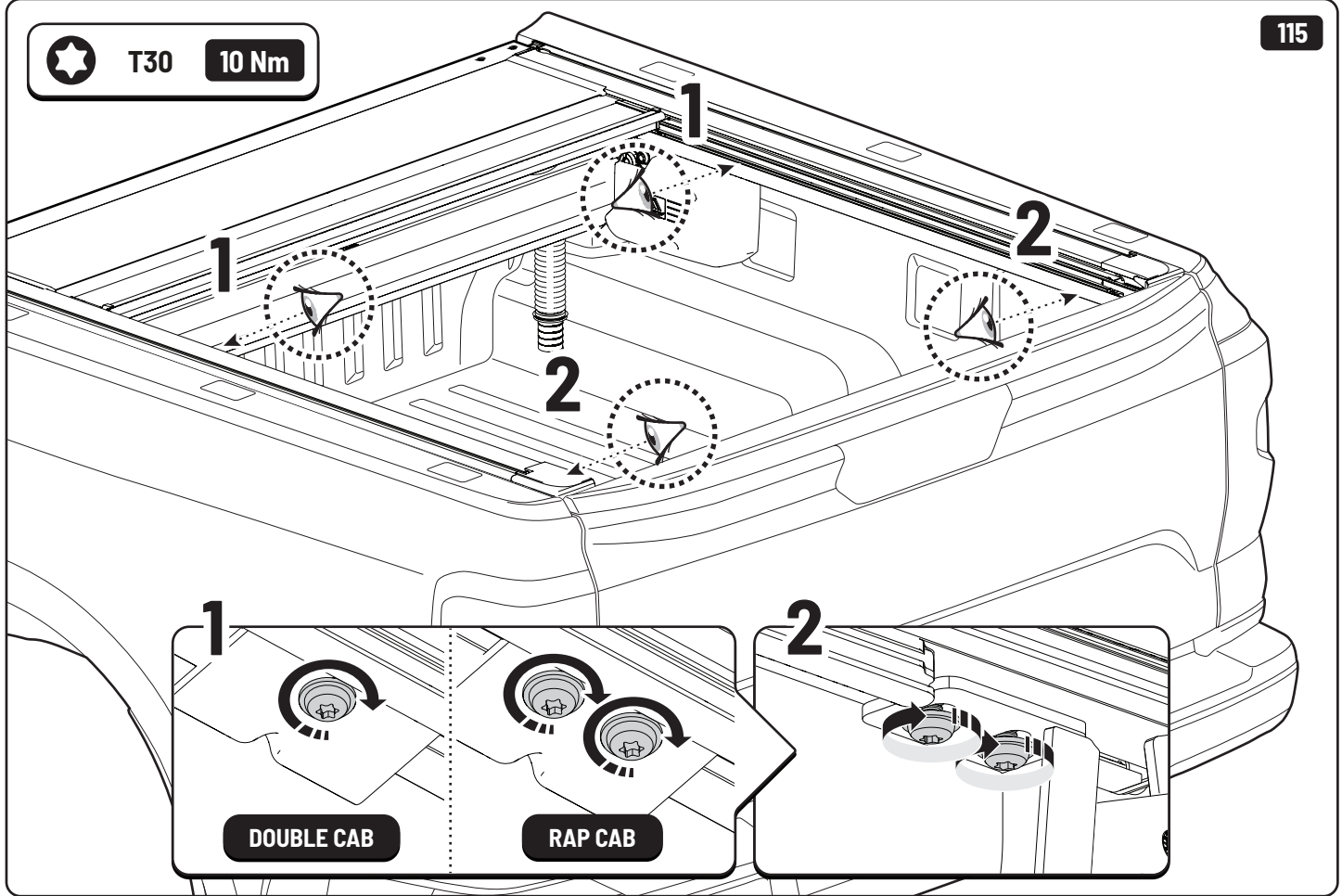


T30

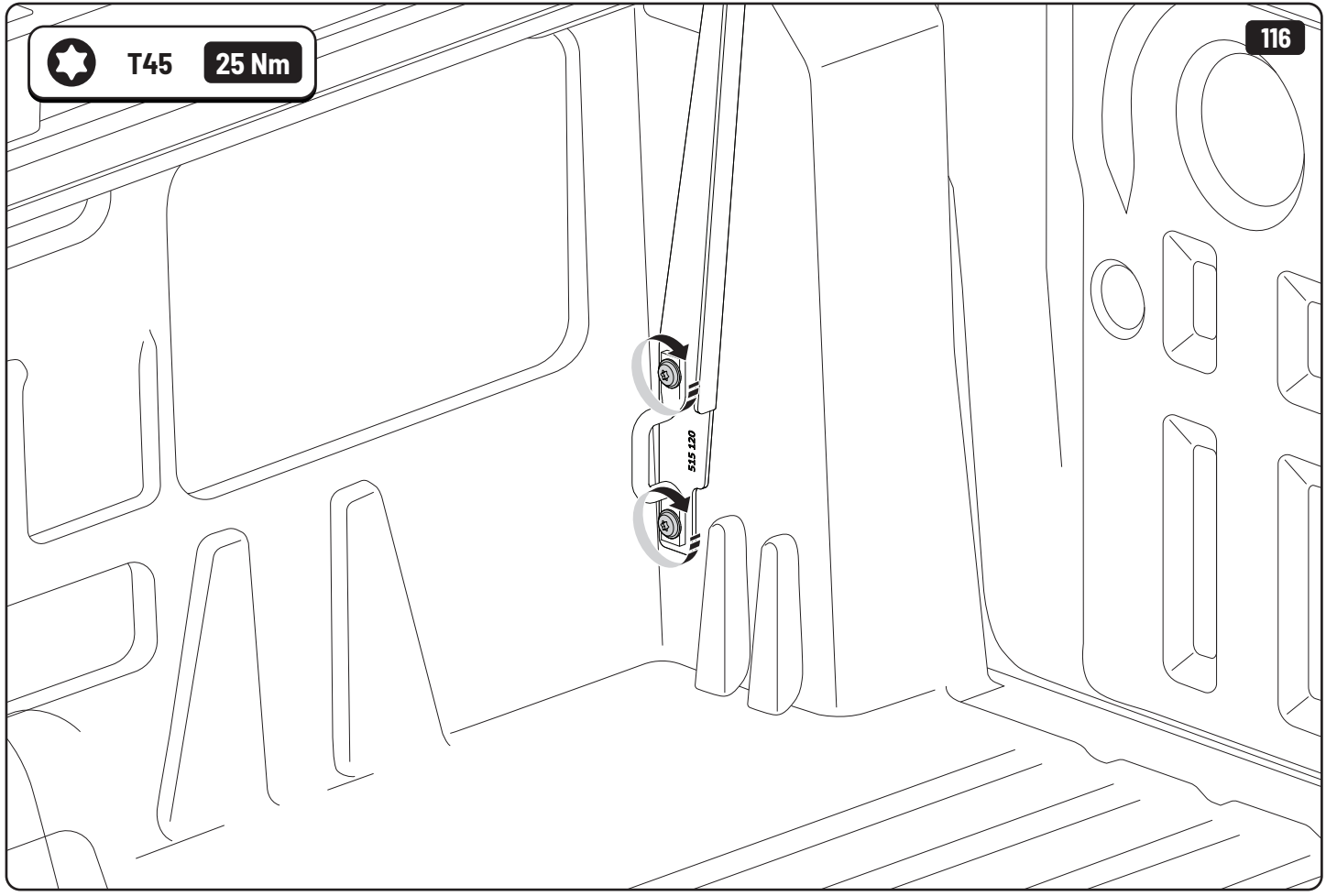
4,8 Nm

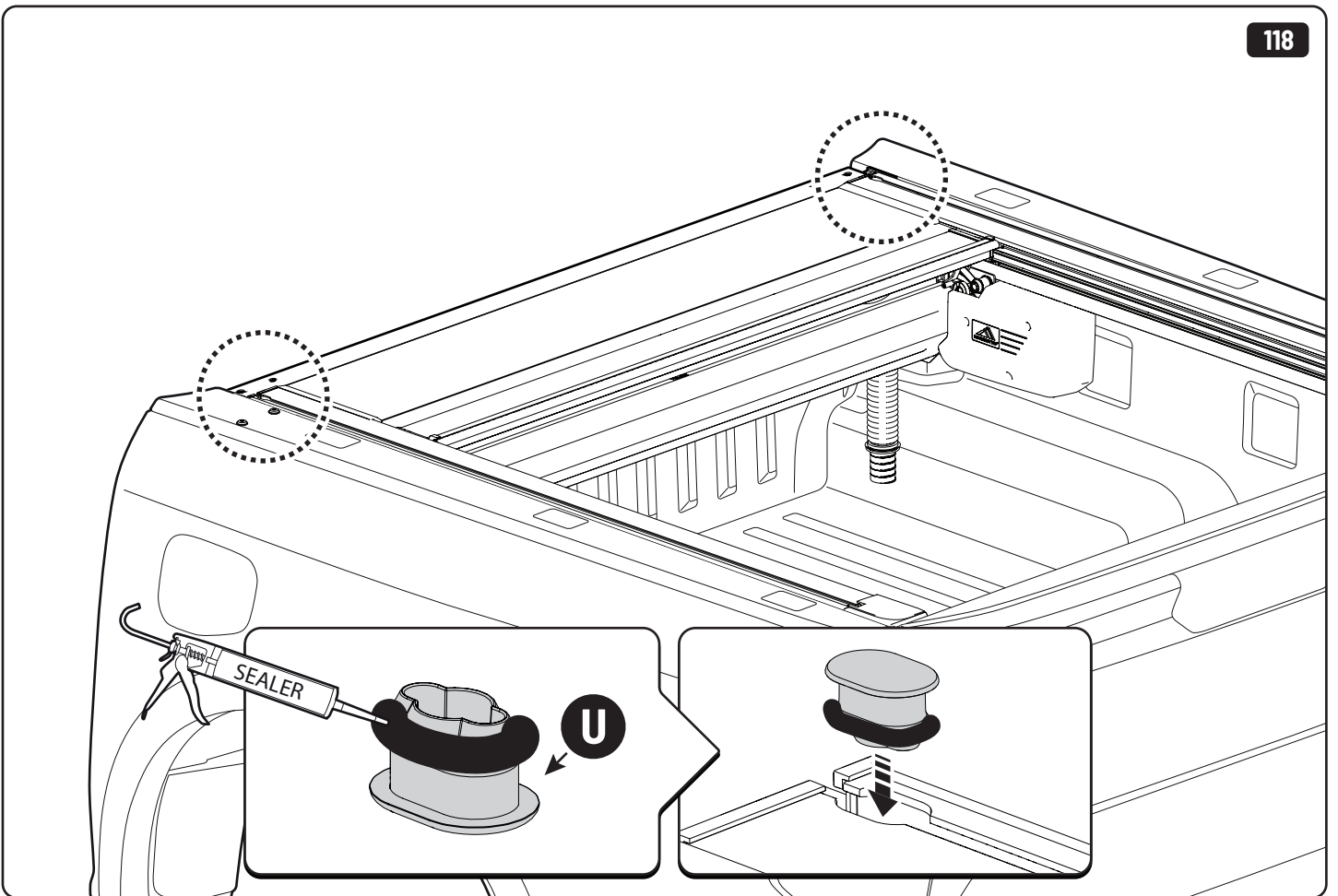
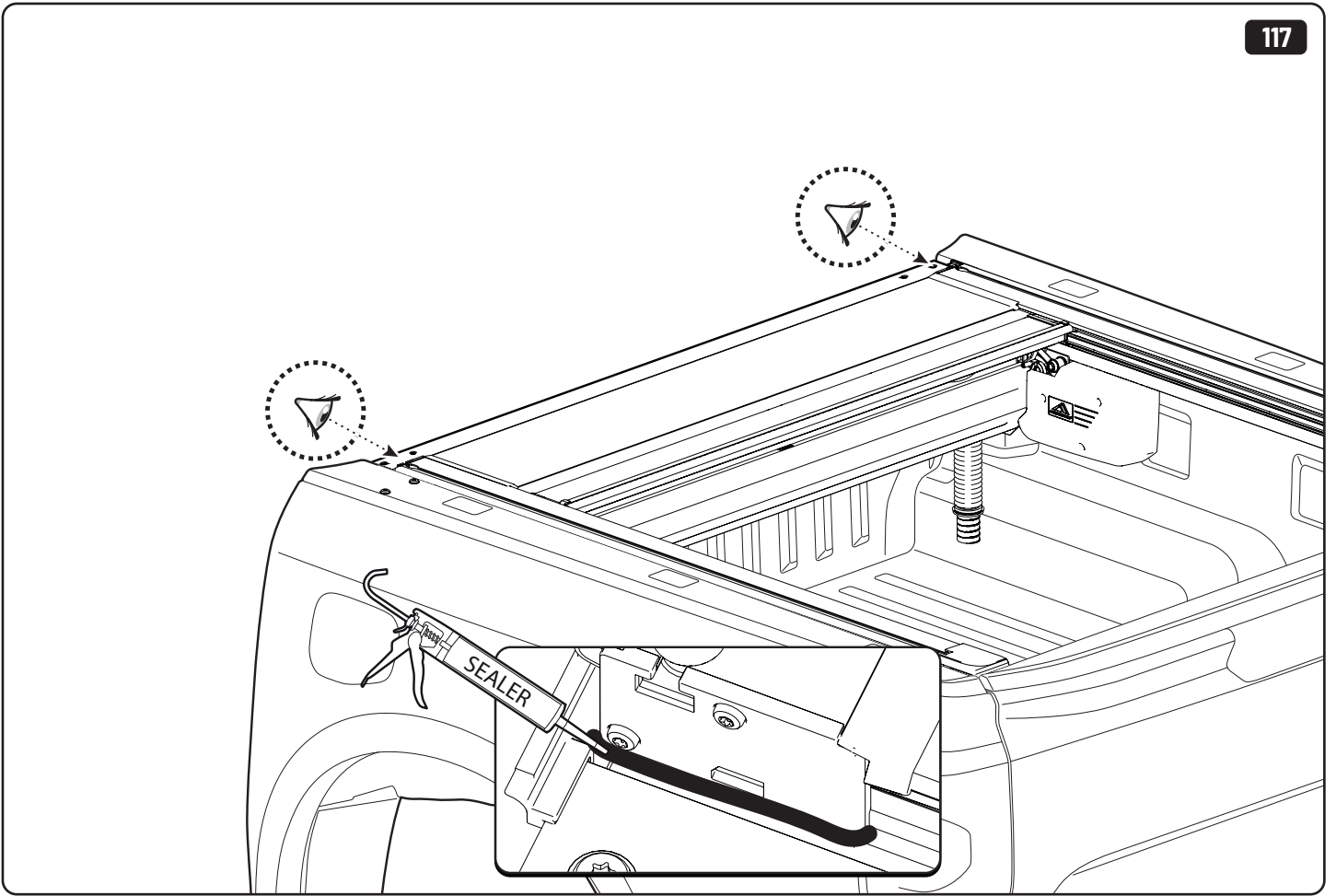


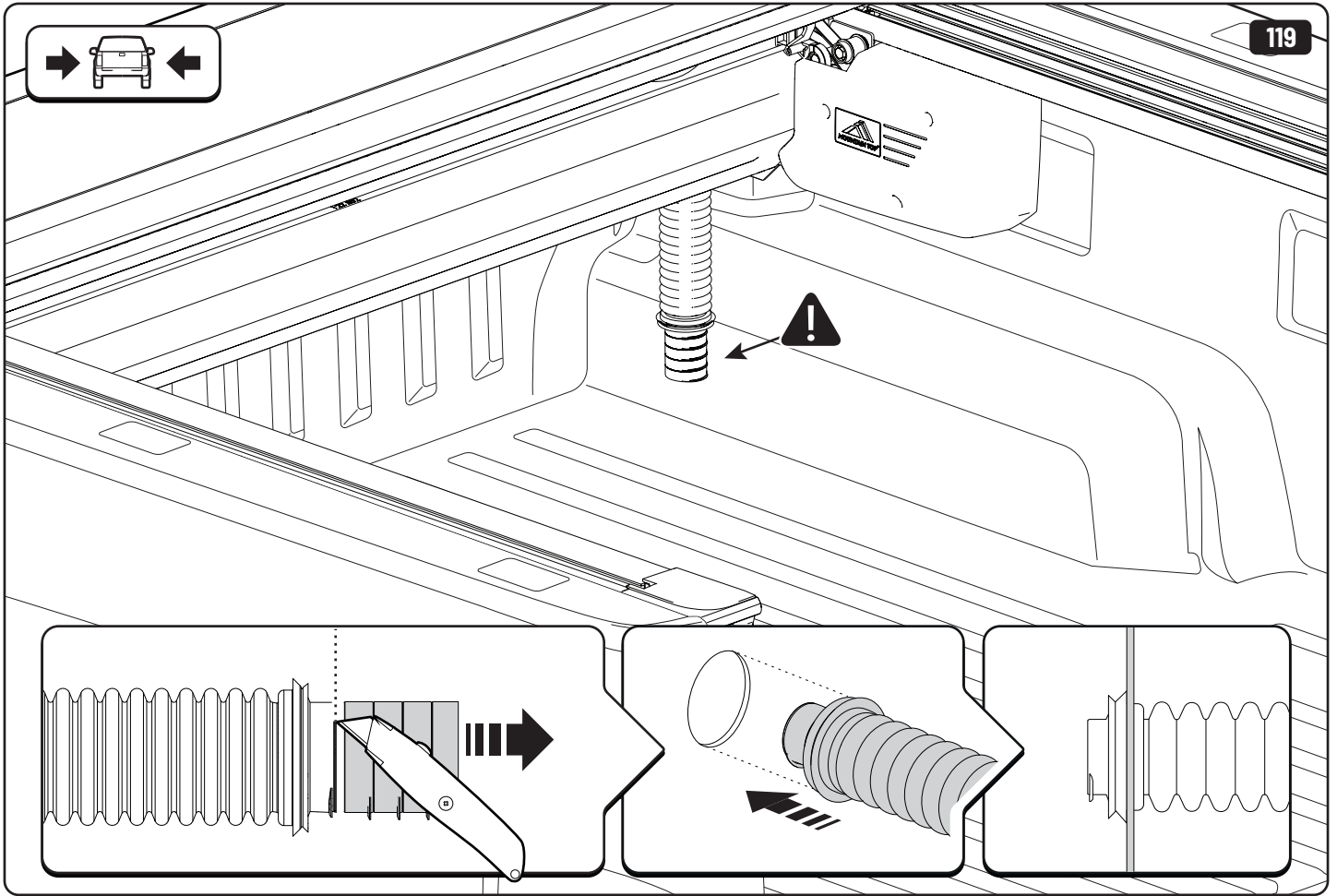
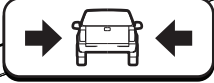
 T30 10 Nm

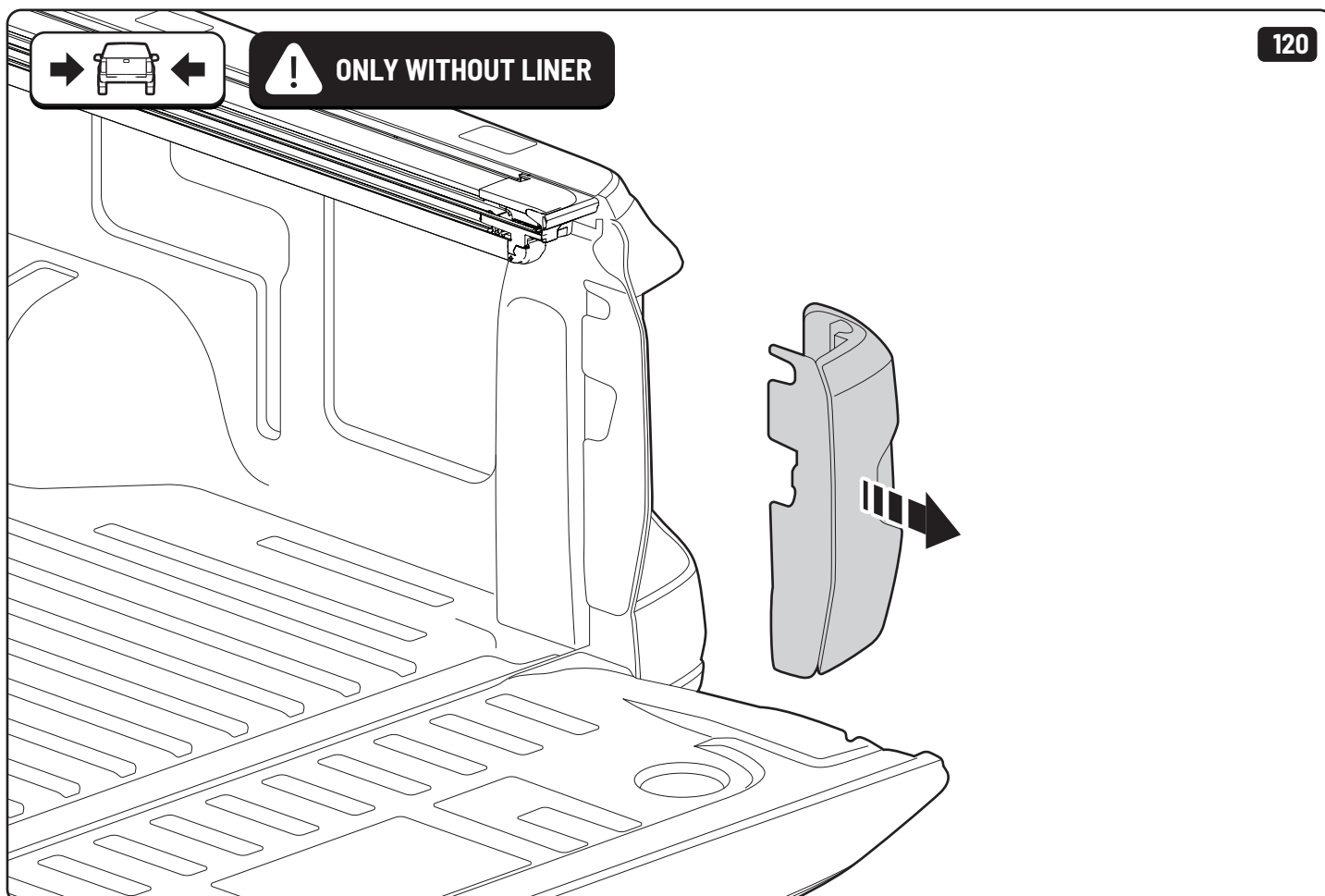
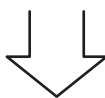
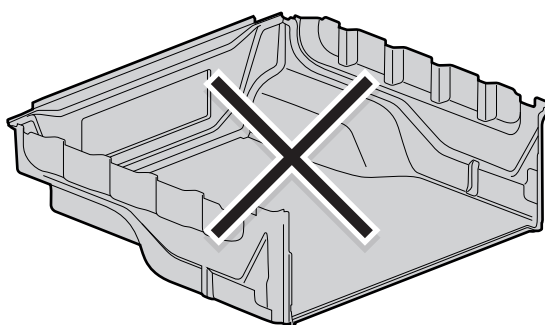
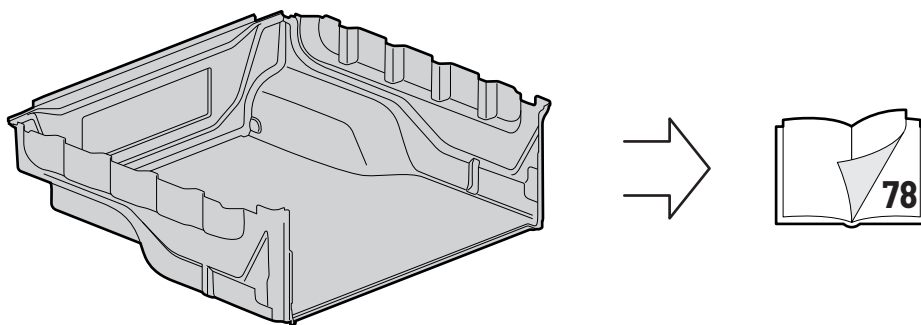


 T45 25 Nm



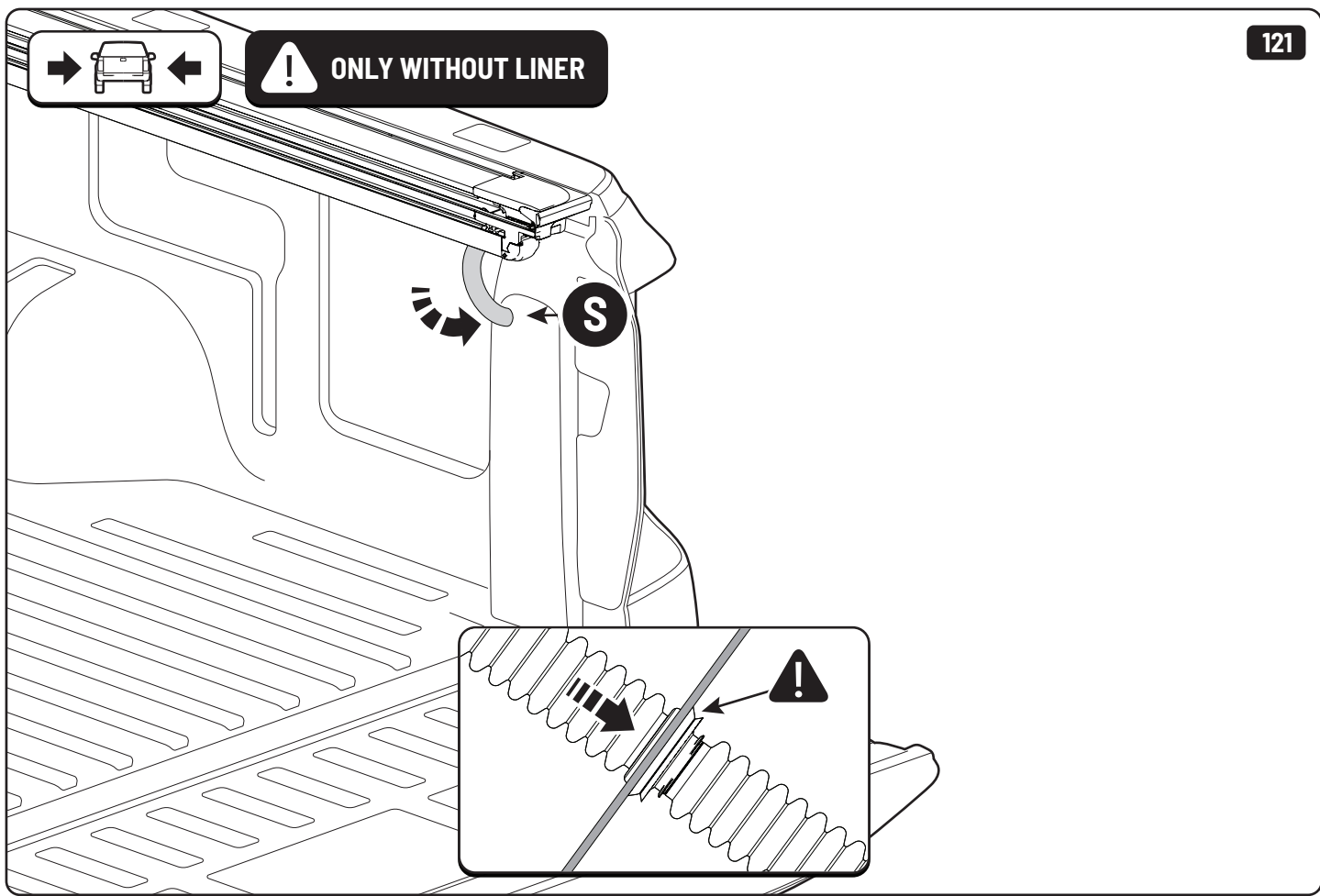




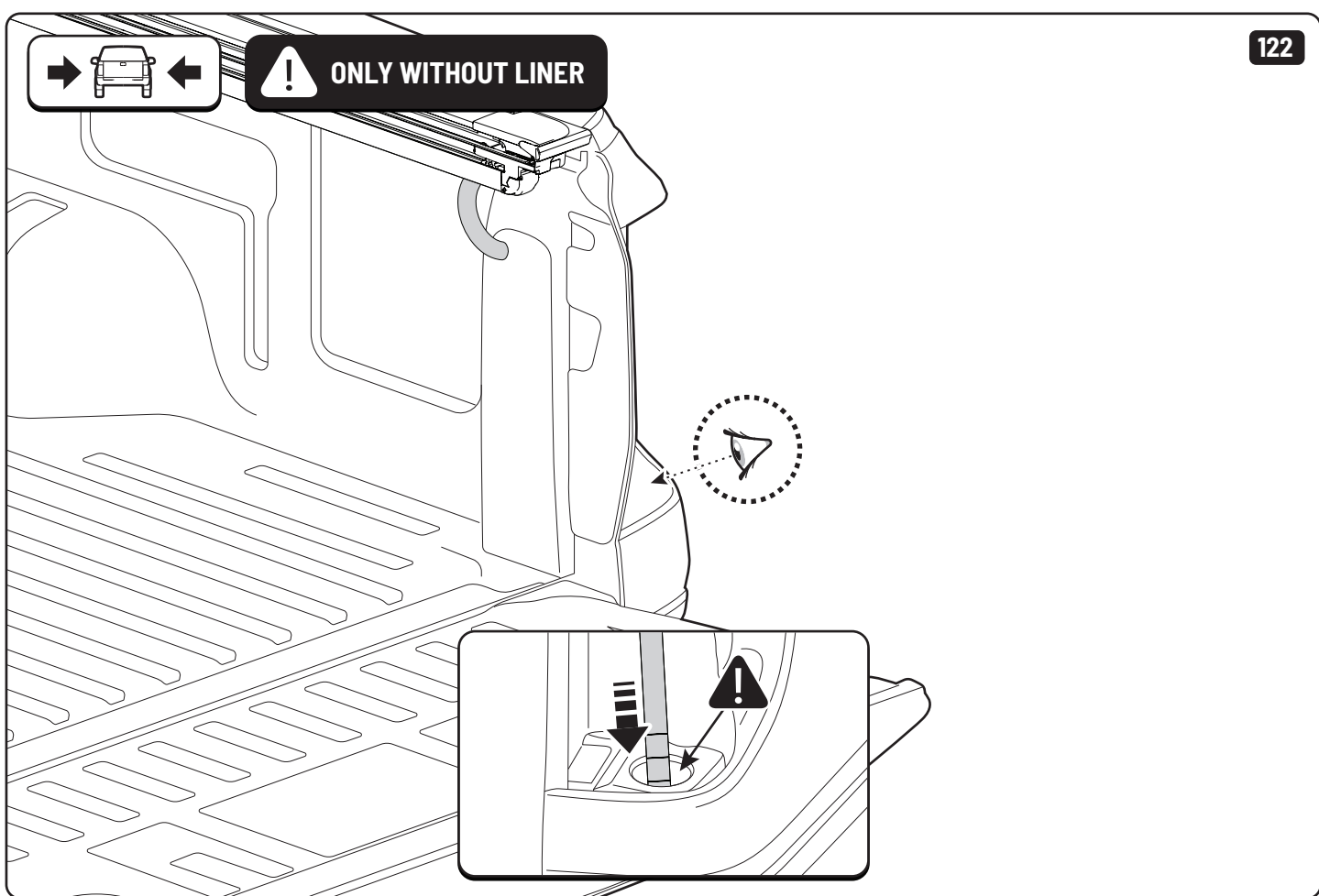




! ONLY WITHOUT LINER

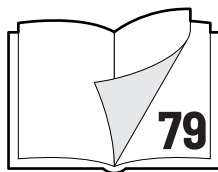
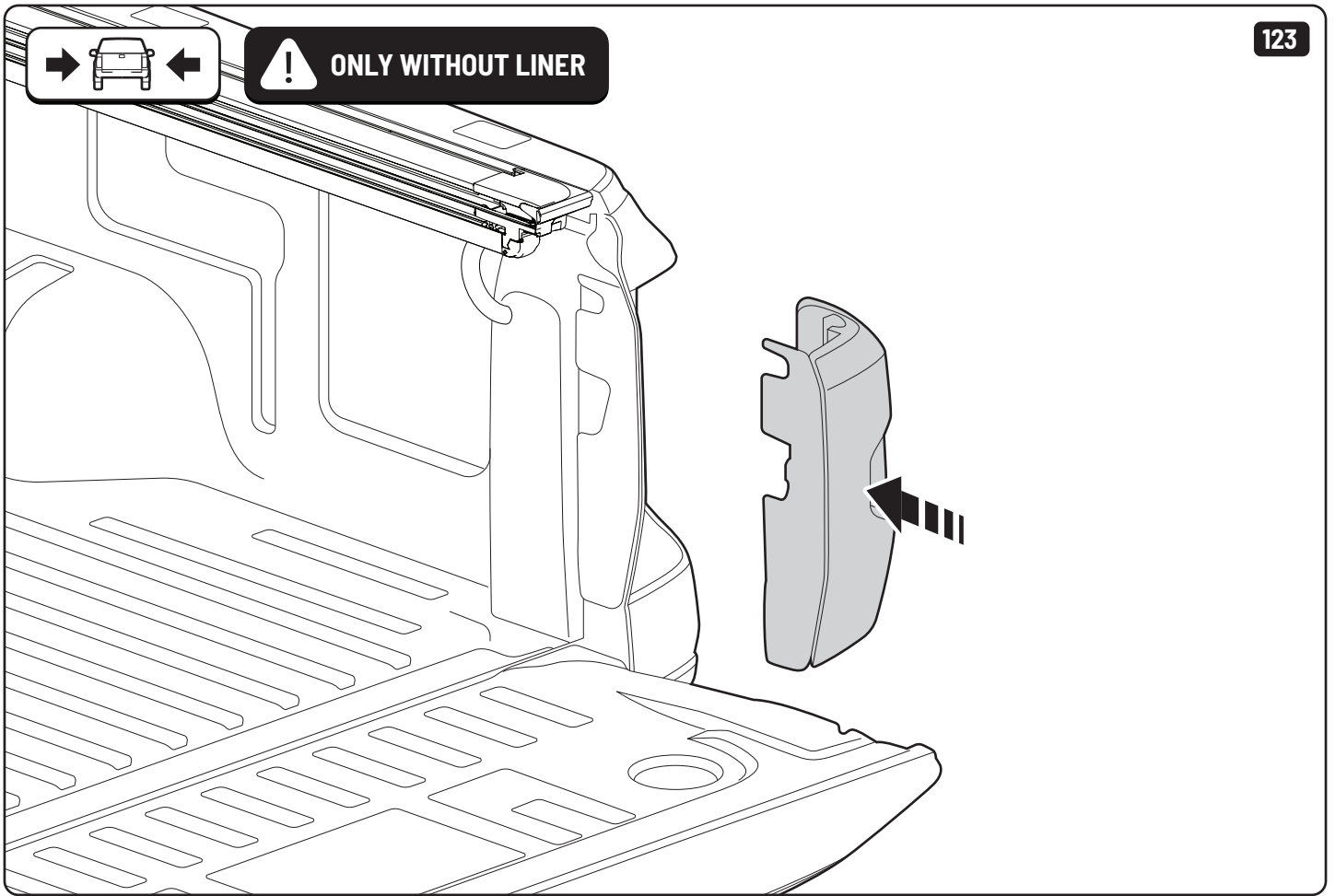


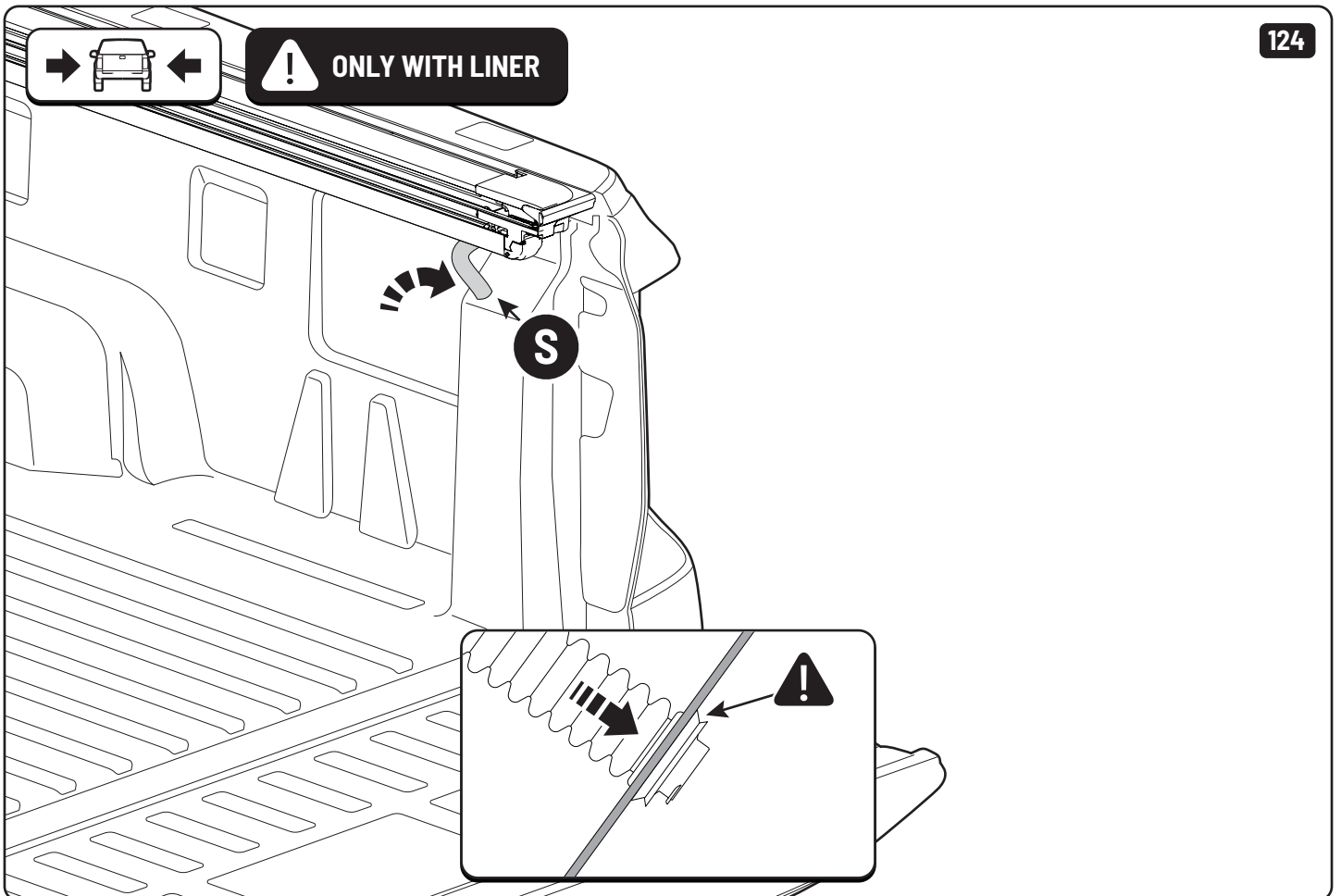
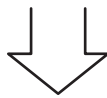
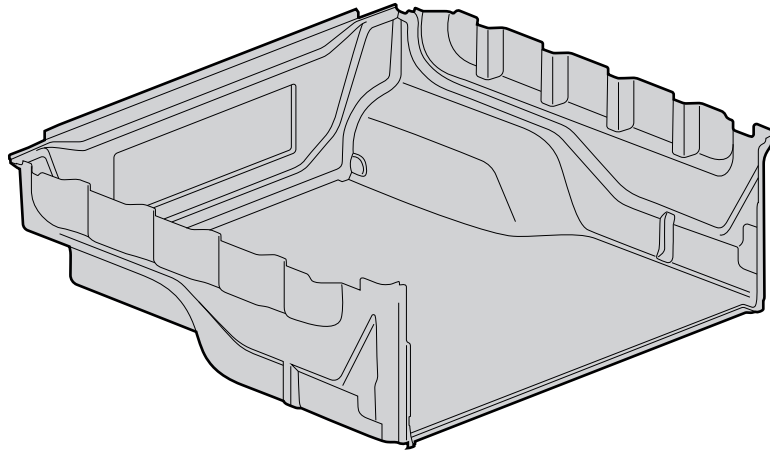
! ONLY WITHOUT LINER

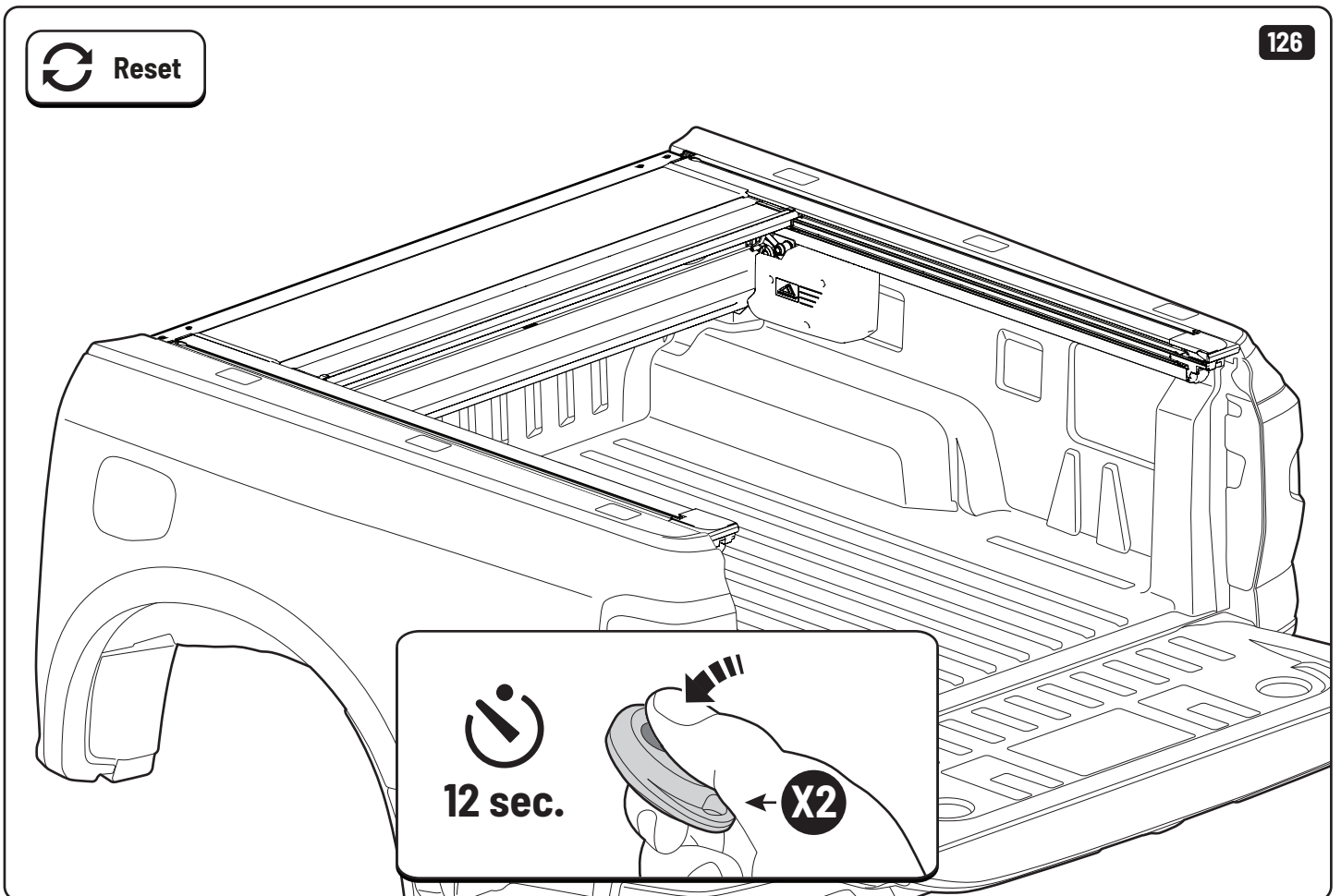
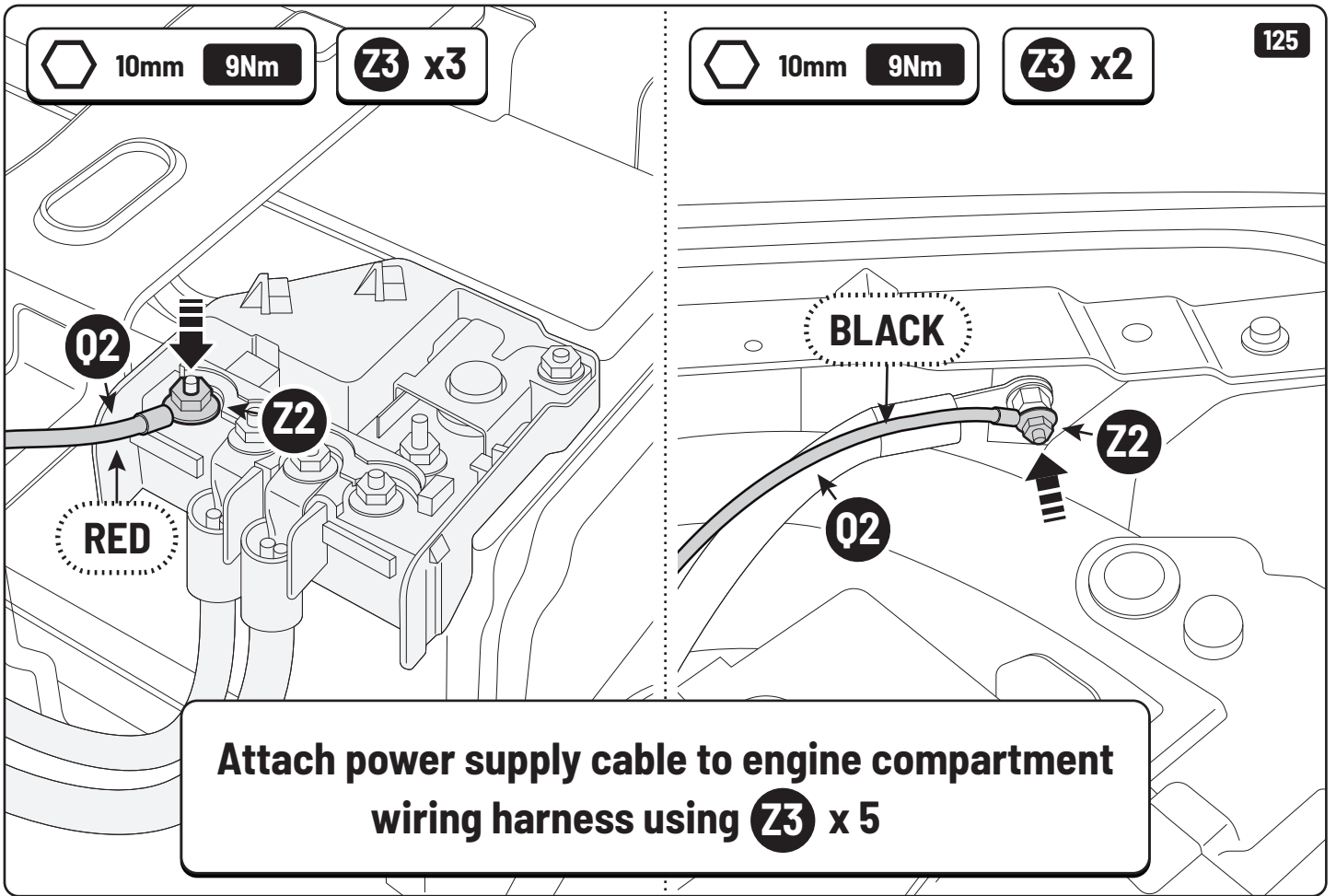




! ONLY WITHOUT LINER

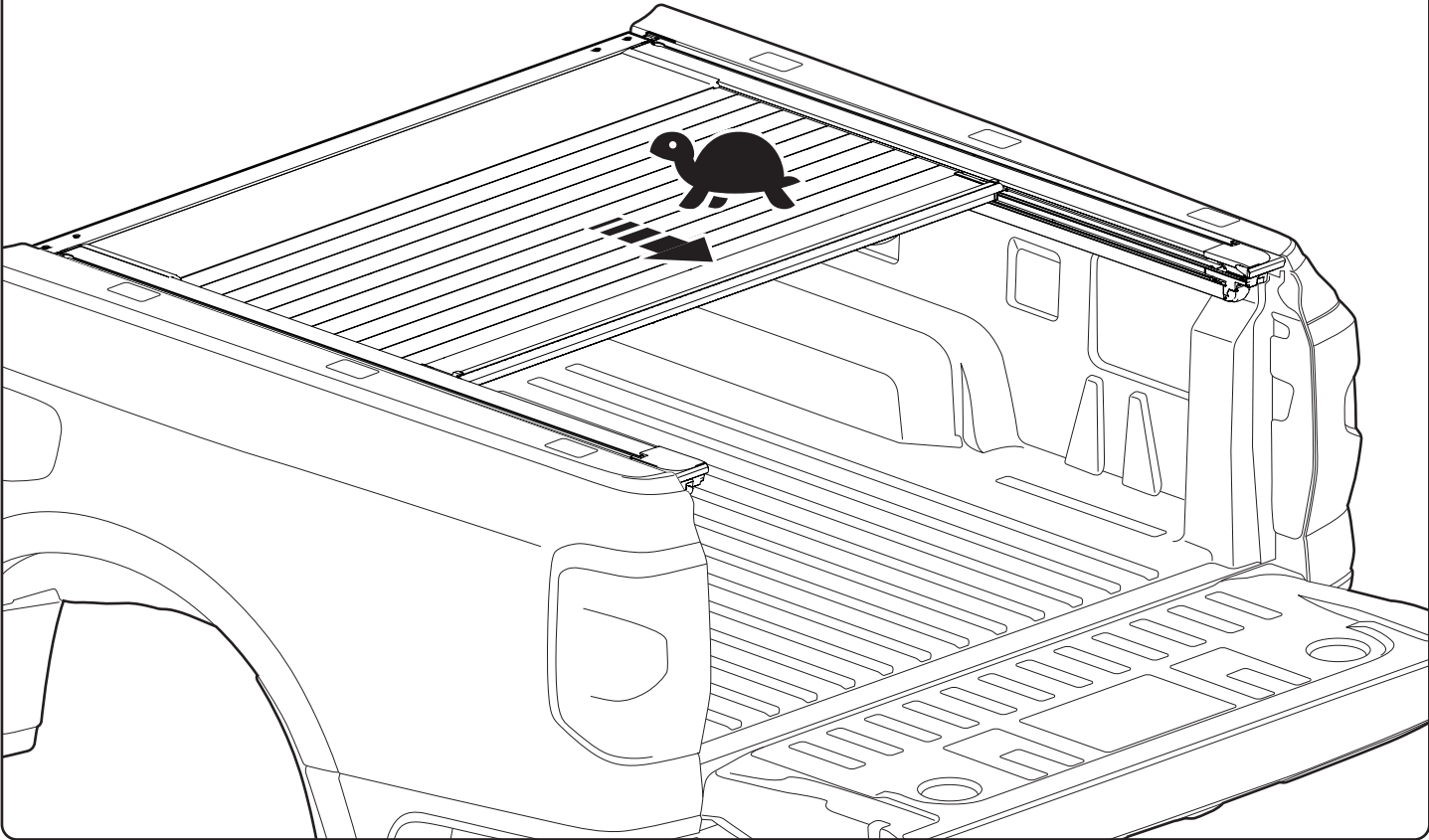




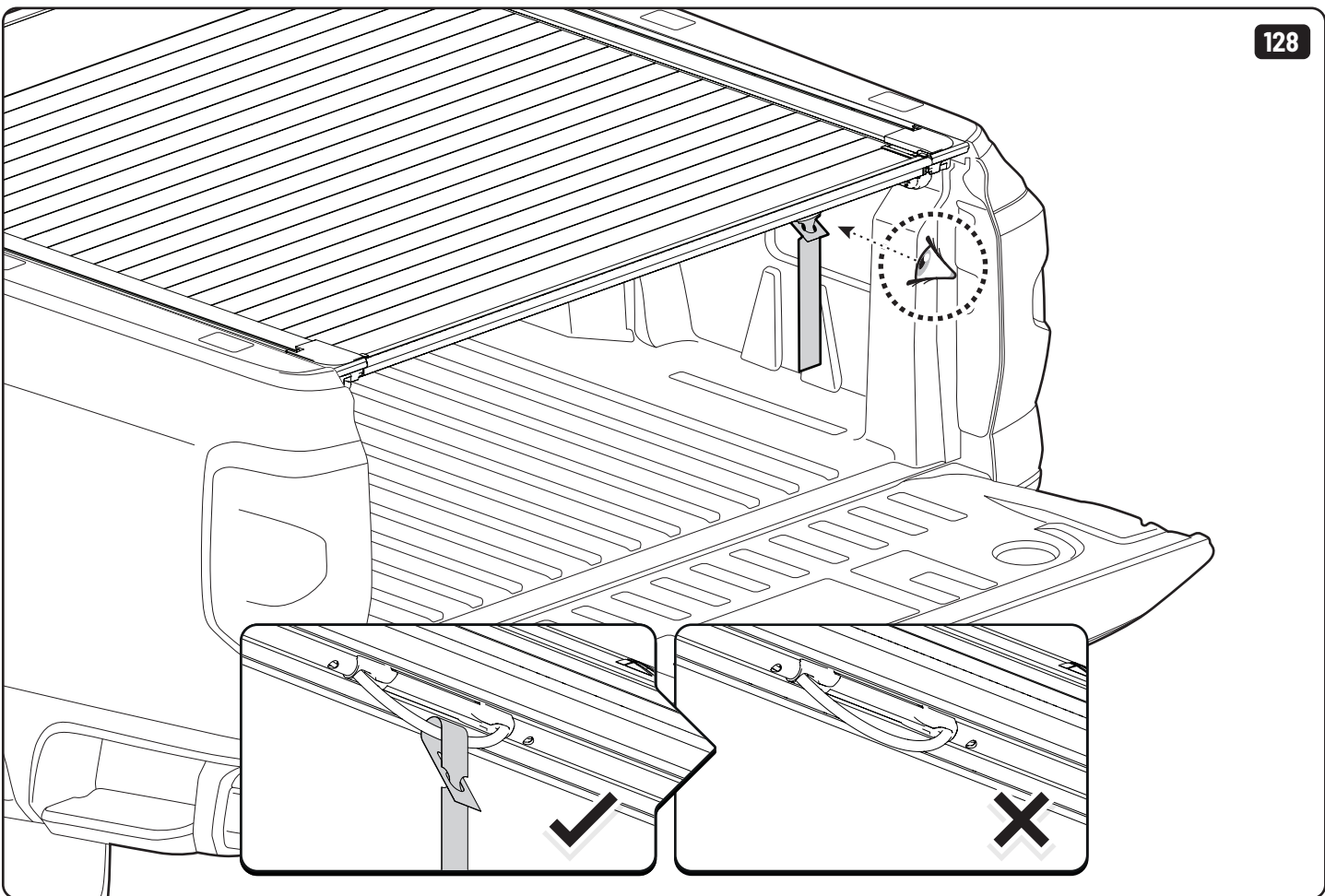


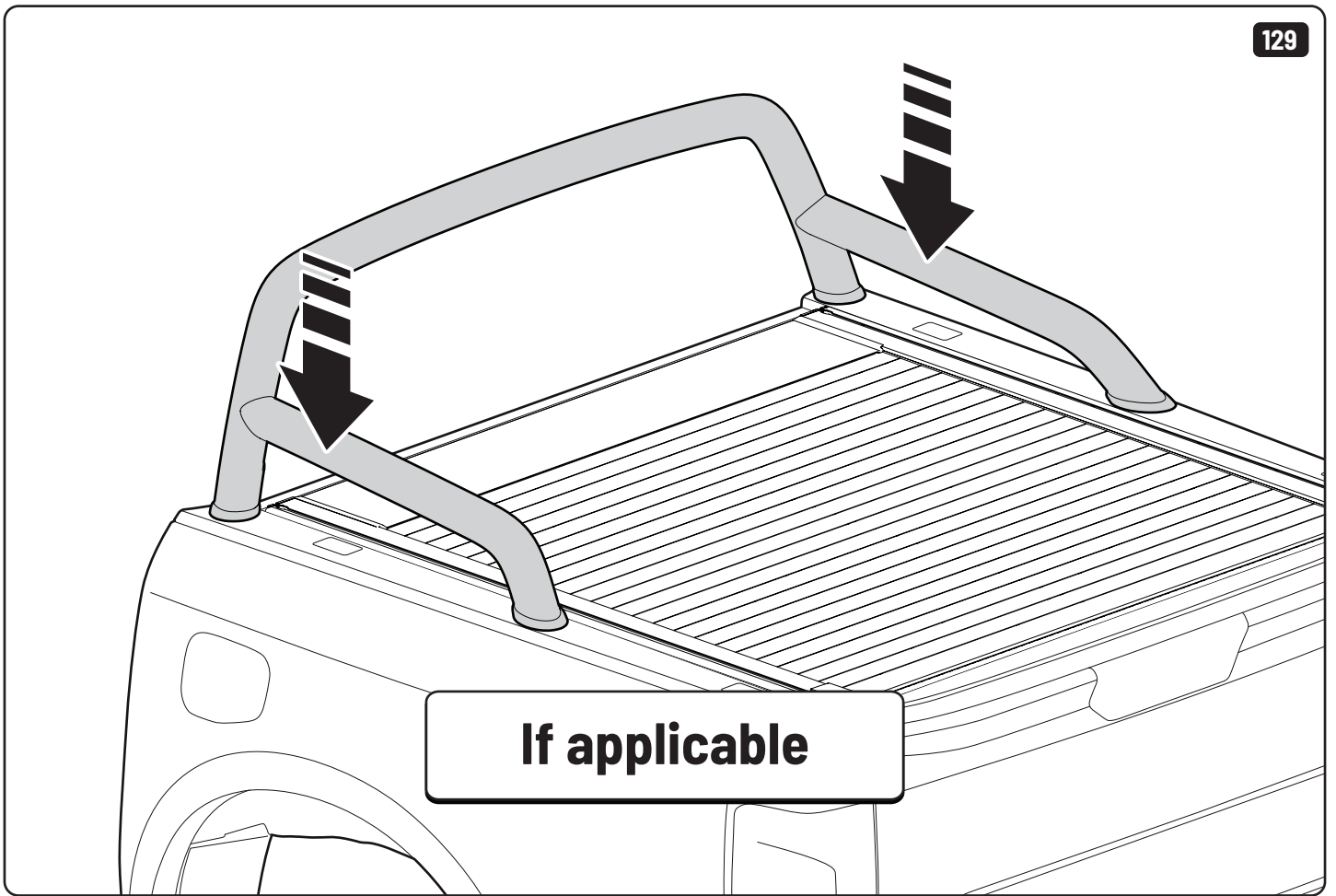
 Reset

127



128







Steps	Page	Done by
Mounting gliding rail in canister	19-20	
Holes for drain	34-37 / 39-43	
Width + Cross measurement	70+71	
Tightening bracket screws	70-72	
Mounting drain	74+75-77 / 78	
Calibrate EVOe	79-80	



Customer Service +45 4810 2950 (08:00 - 16:00 CET)
Support info@mountaintop.dk
Website www.mountaintop.dk
Address Pedersholmparken 10, 3600 Frederikssund, Denmark

Part number (s)	Model / Year	Cab type (s)	Installation time	Weight
EVOe FO10 HB02	Ford Ranger/ 2022 ->	Double Cab	2 hour (s)	33 kg
EVOe FO11 HB02	Ford Ranger/ 2022 ->	Rap Cab	2 hour (s)	40 kg

GB Installation manual	S Monteringsanvisning	D Einbauanleitung
SF Asennusohje	E Instrucciones de montaje	CZ Návod k instalaci
F Notice de montage	H Szerelési utasítás	I Istruzioni di montaggio
PL Instrukcja montażu	P Instruções de instalação	GR Οδηγίες Εγκατάστασης
NL Installatie-instructies	RUS Инструкция по установке	DK Monteringsvejledning
TR Montaj Talimatı	N Monteringsveiledning	RO Instructiuni de instalare